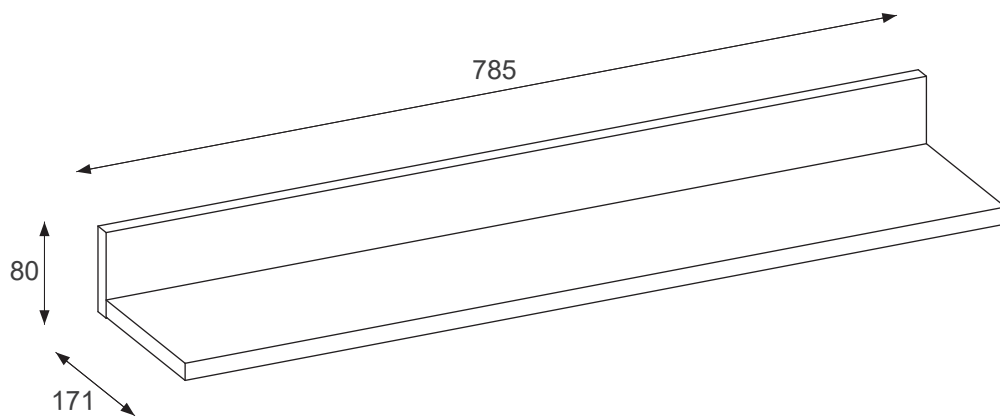
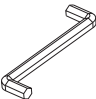

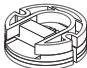




A	B (mm)		C
1	785	80	1/2
2	785	155	1/2



<p>1x</p>  <p>4mm</p> <p>z1</p>	<p>3x</p>  <p>Ø 7x50mm</p> <p>e29</p>	<p>2x</p>  <p>35x12mm</p> <p>n15</p>
<p>2x</p>  <p>Ø 6,3x13 mm</p> <p>e2</p>	<p>4x</p>  <p>Ø 5x11 mm</p> <p>e5</p>	

1

n15 x 2



35x12mm

e2 x 2

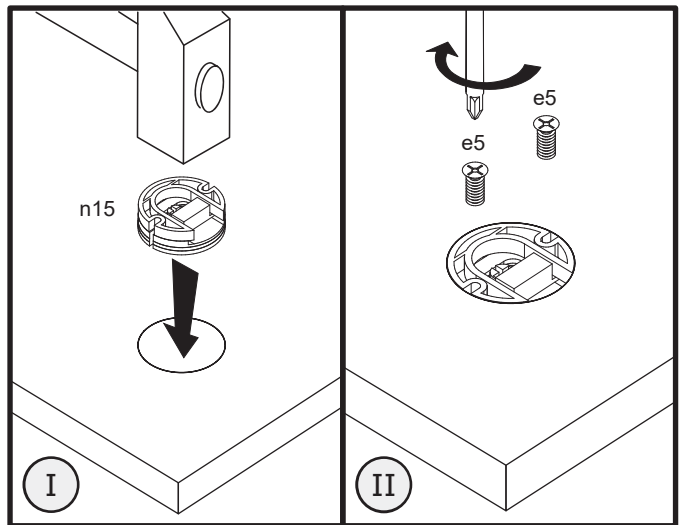
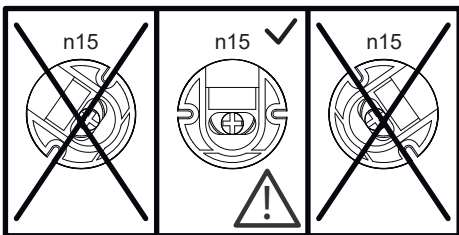
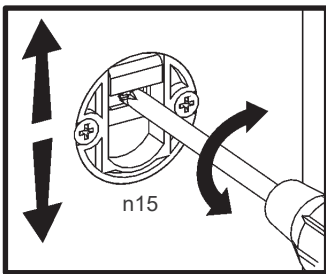
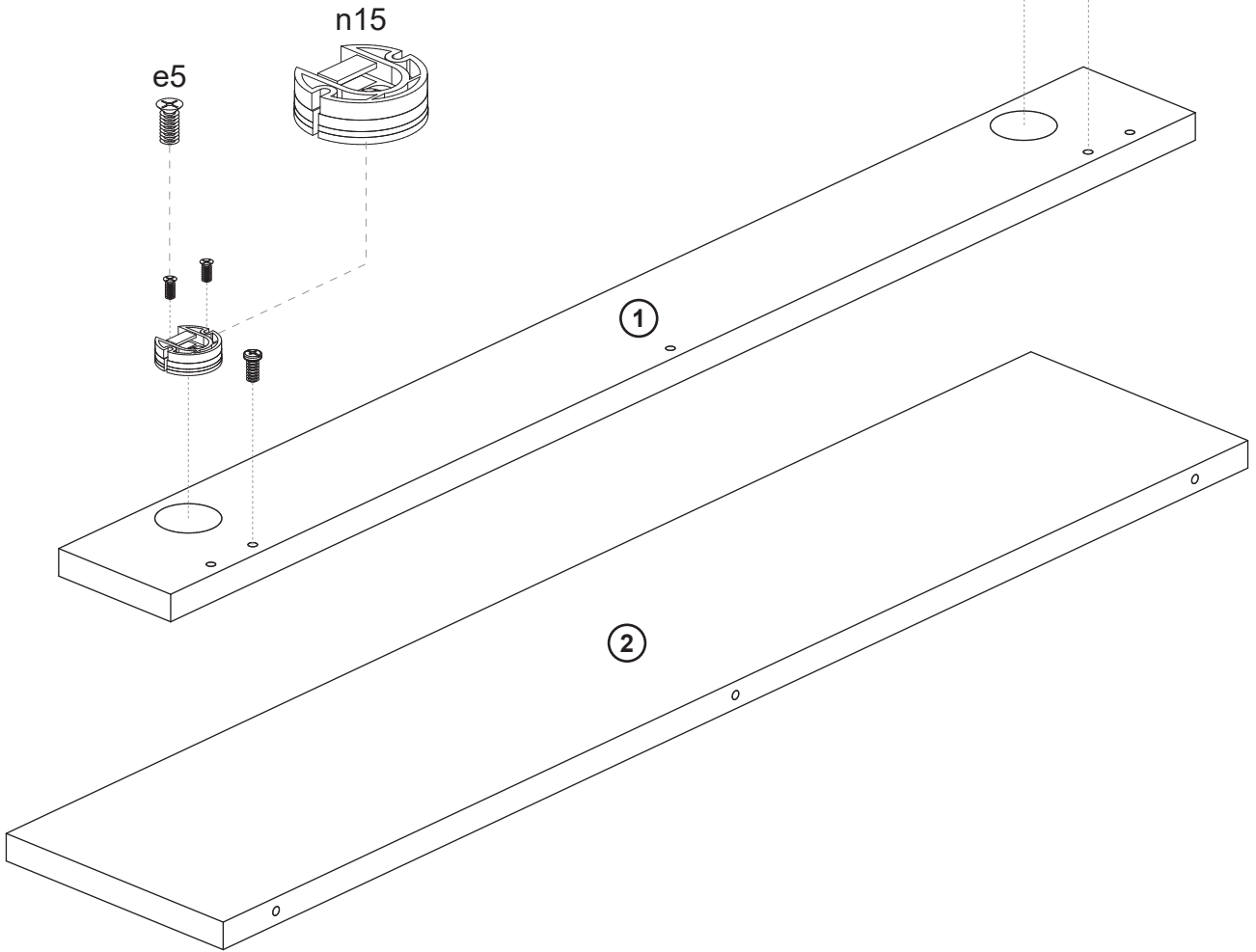


Ø 6,3x13mm

e5 x 4



Ø 5x11mm



2

e29 x 3

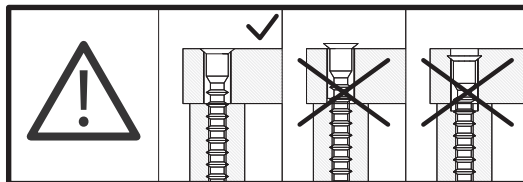
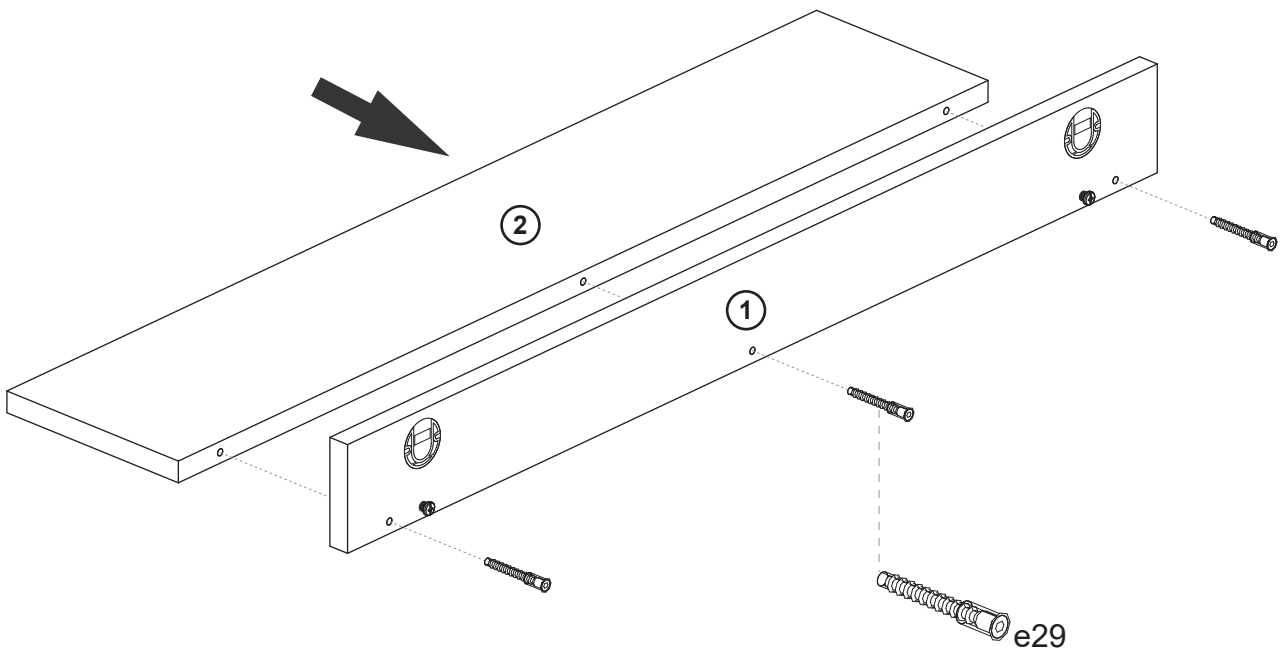
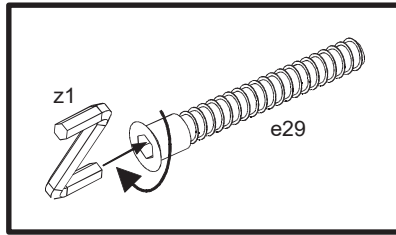


Ø 7x50mm

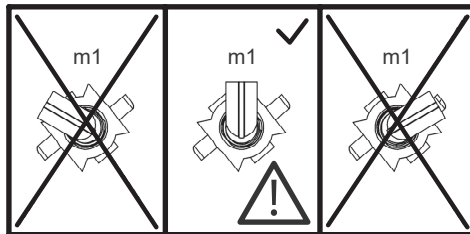
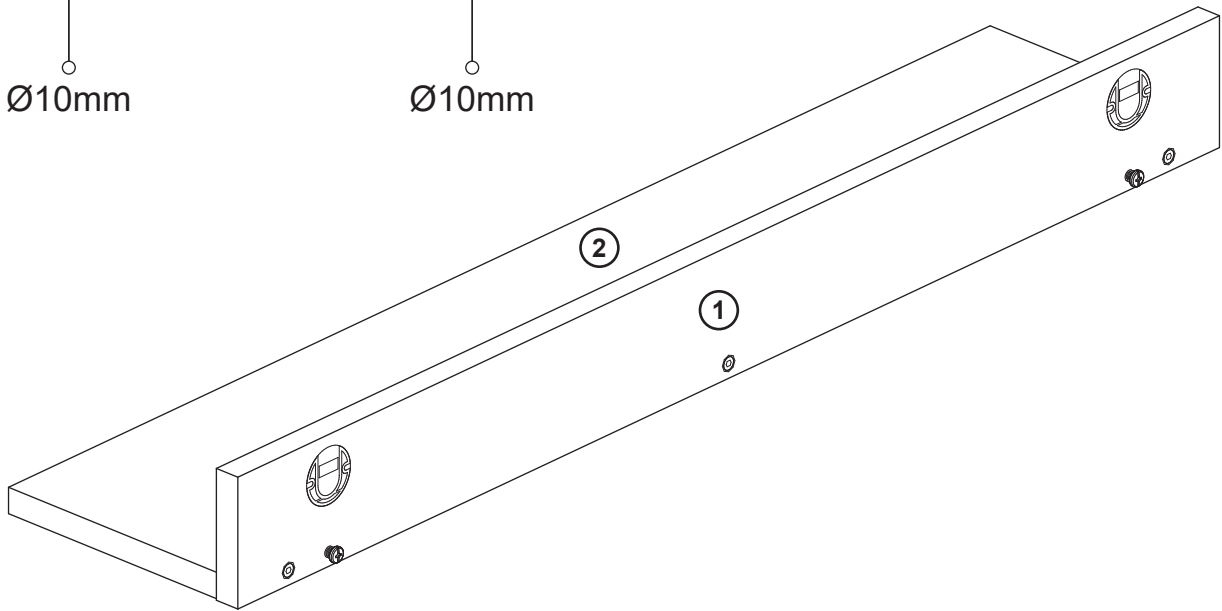
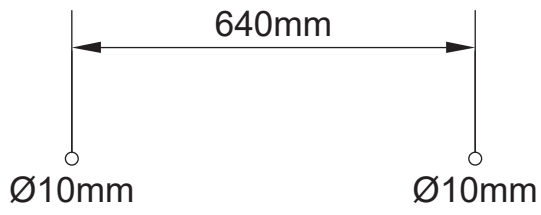
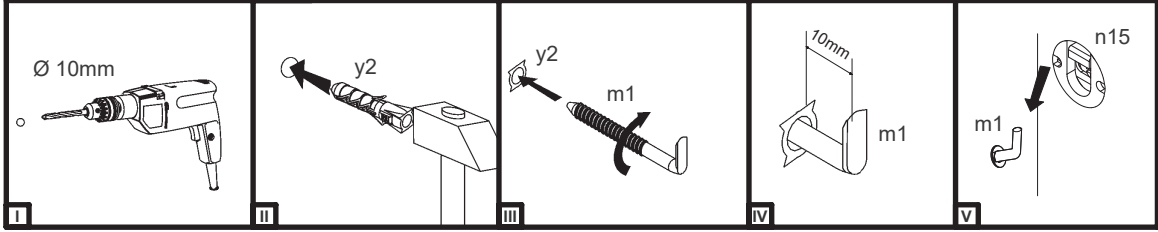
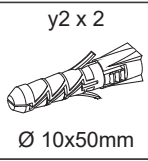
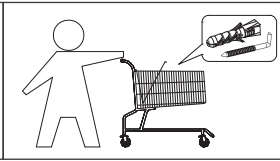
z1 x 1

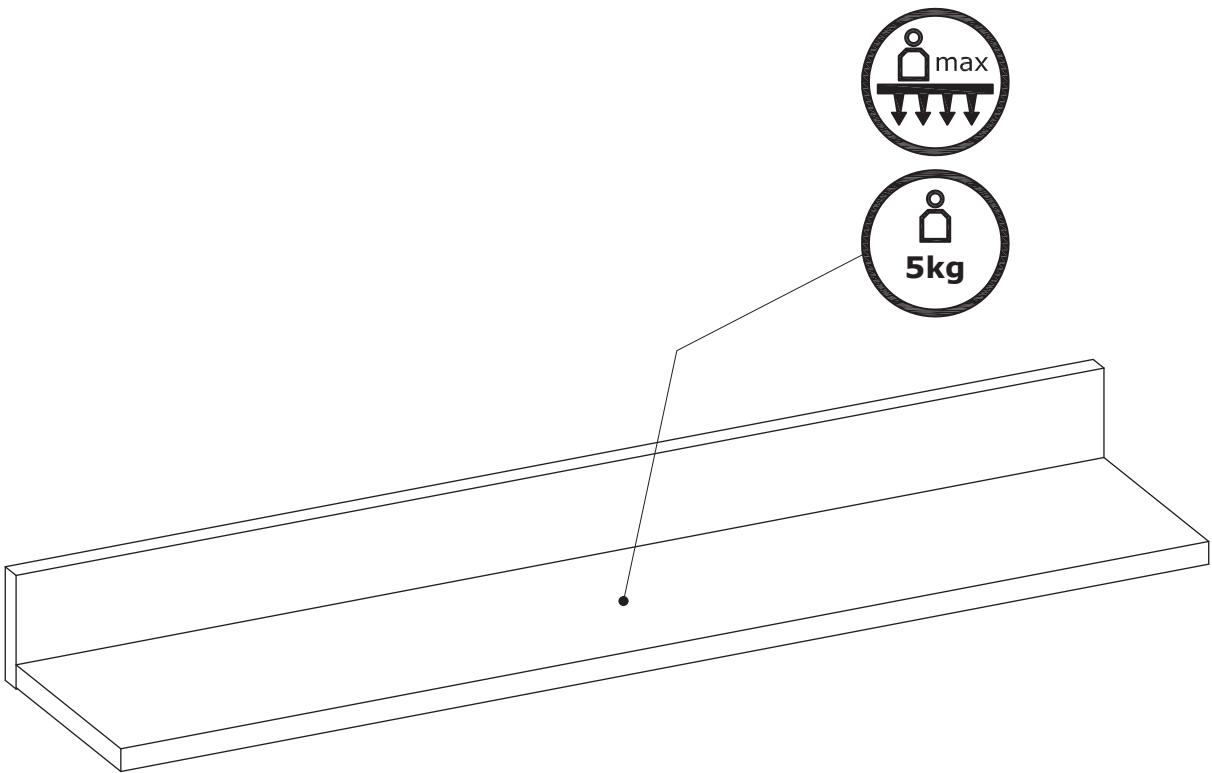


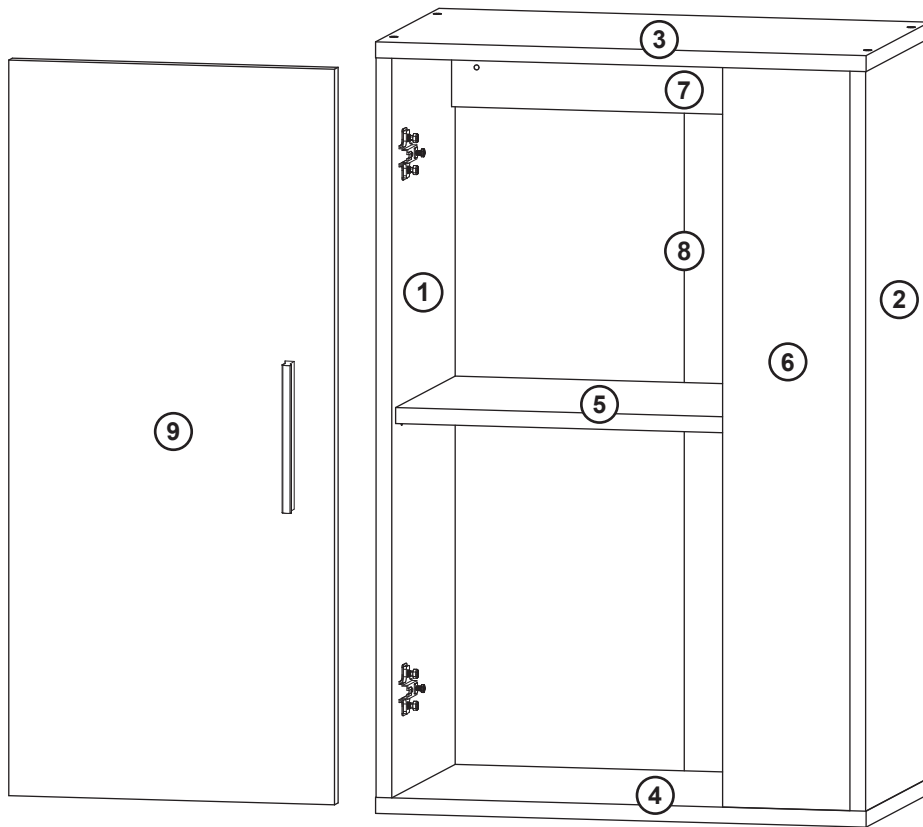
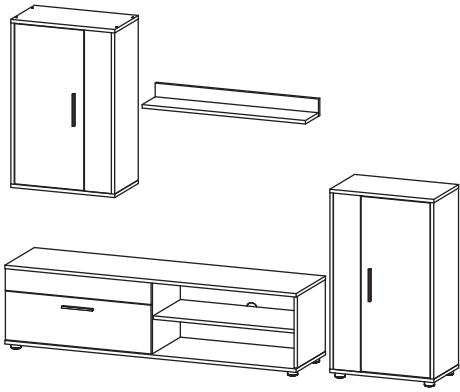
4mm



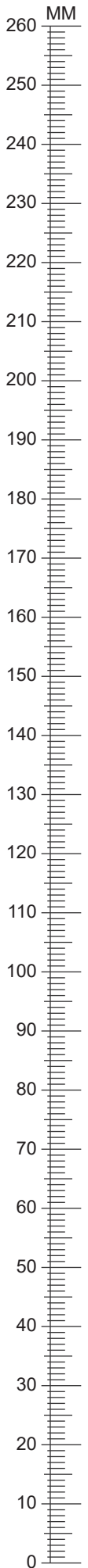
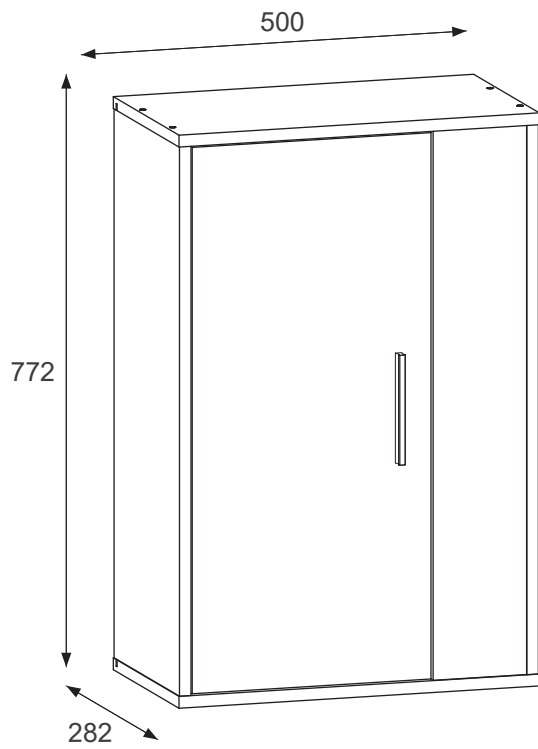
3

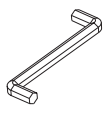

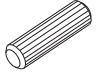
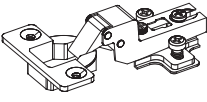






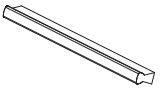






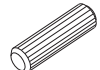
A	B (mm)		C
1	740	280	1/2
2	740	280	1/2
3	500	280	2/2
4	500	280	1/2
5	467	263	1/2
6	740	130	1/2
7	467	80	1/2
8	700	496	1/2
9	736	332	2/2



1x  4mm z1	8x  Ø 7x50mm e29	19x  Ø 8x30mm f1
2x  Ø 35mm ab2	8x  Ø 12mm s4	4x  Ø 5mm d1
4x  Ø 4x16mm p21	2x  Ø 4,2x25mm p25	4x  Ø 3,5x16mm p51
24x  Ø 2x20mm g1	1x  L=128/148mm c237	

1

f1 x 19



Ø 8x30mm

d1 x 4

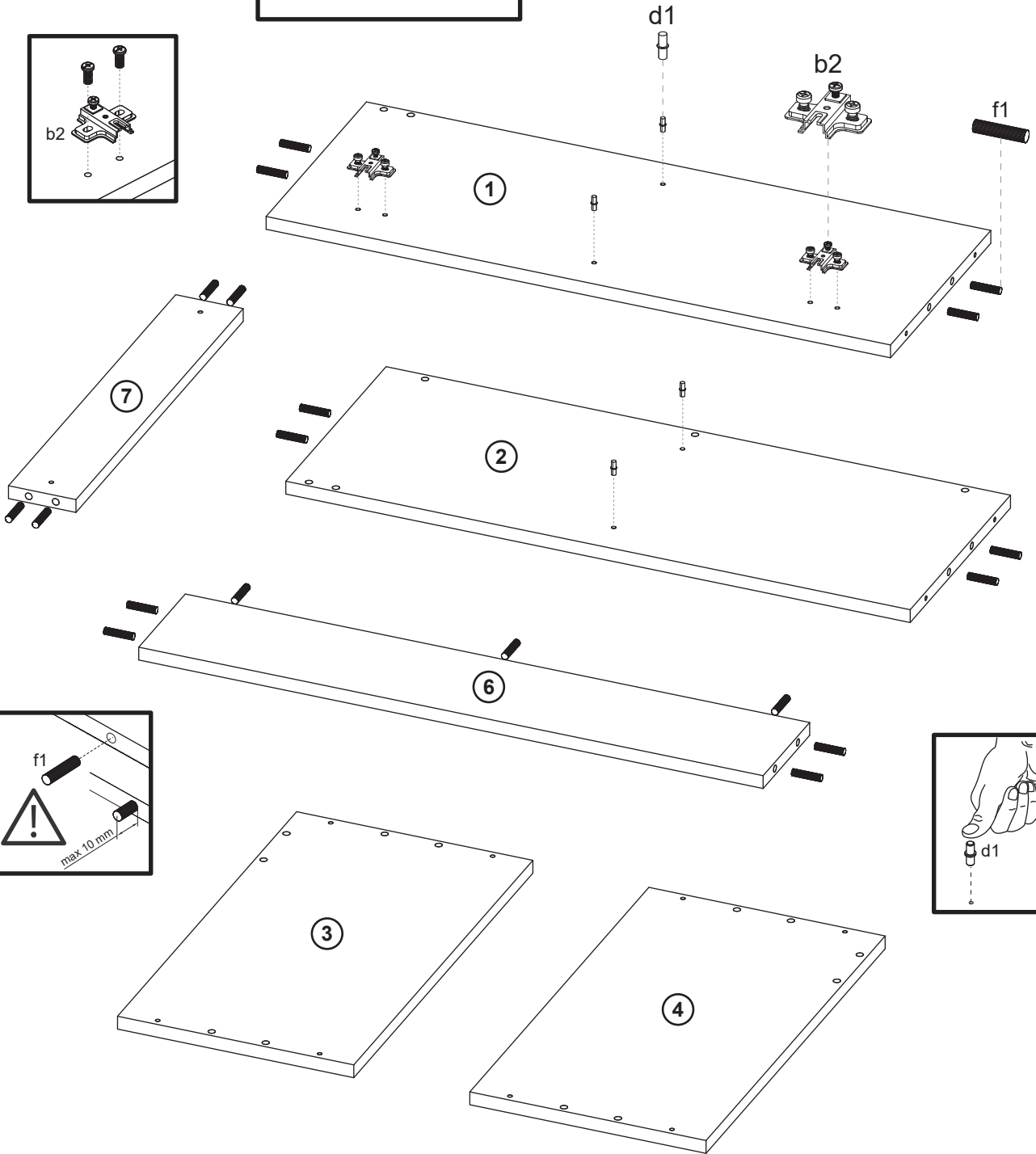
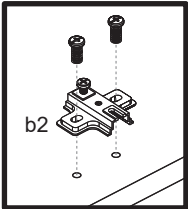
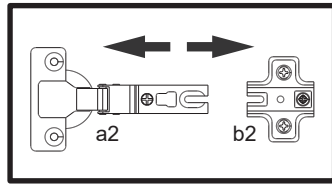


Ø 5mm

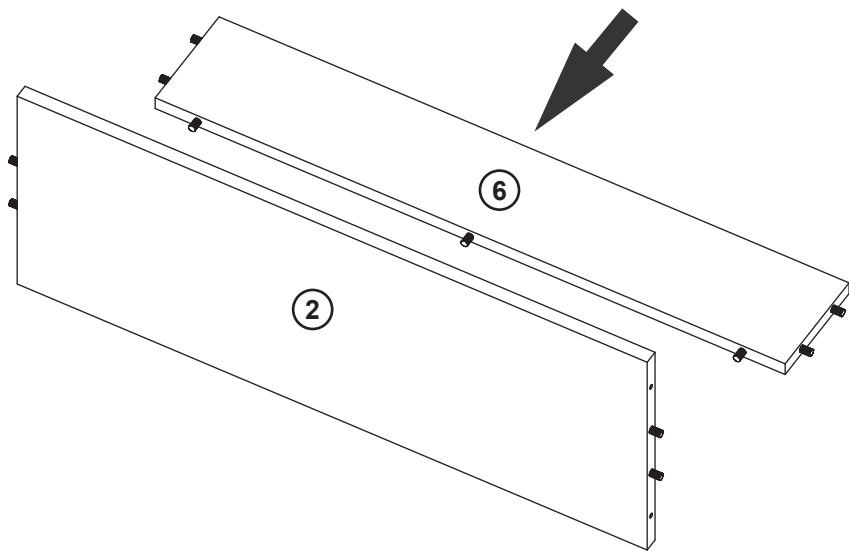
b2 x 2



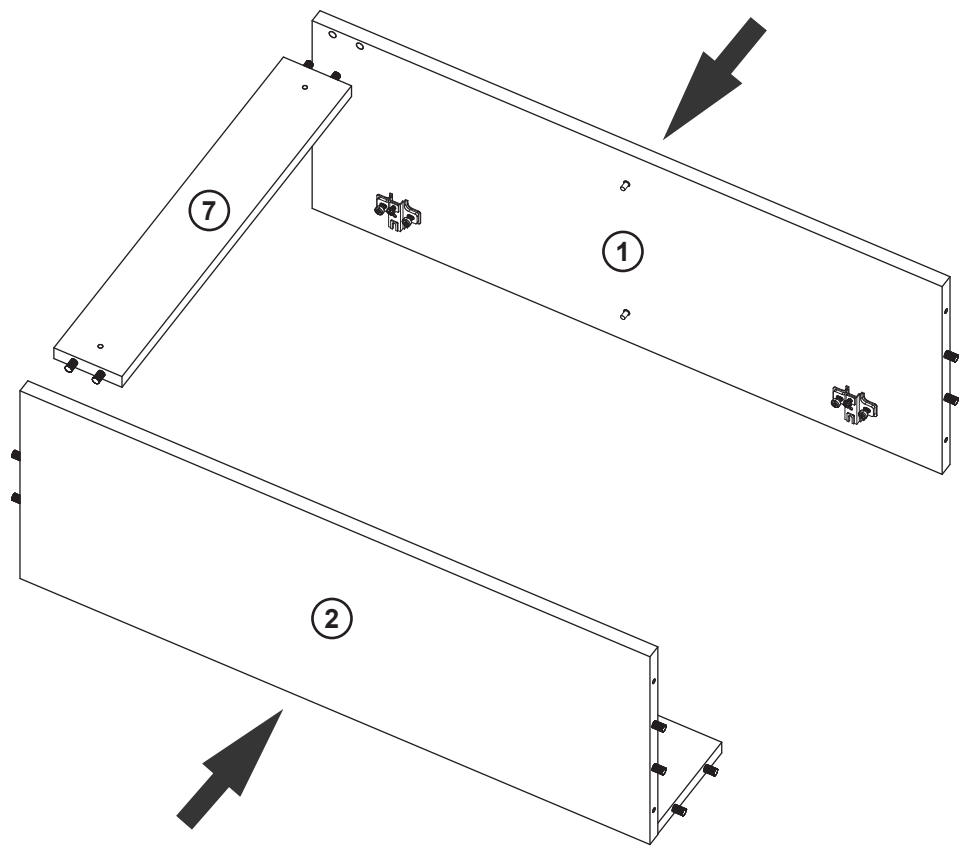
40x50x12mm



2



3



4

e29 x 8



Ø 7x50mm

s4 x 8

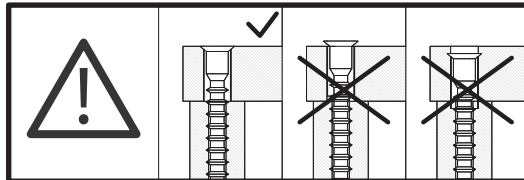
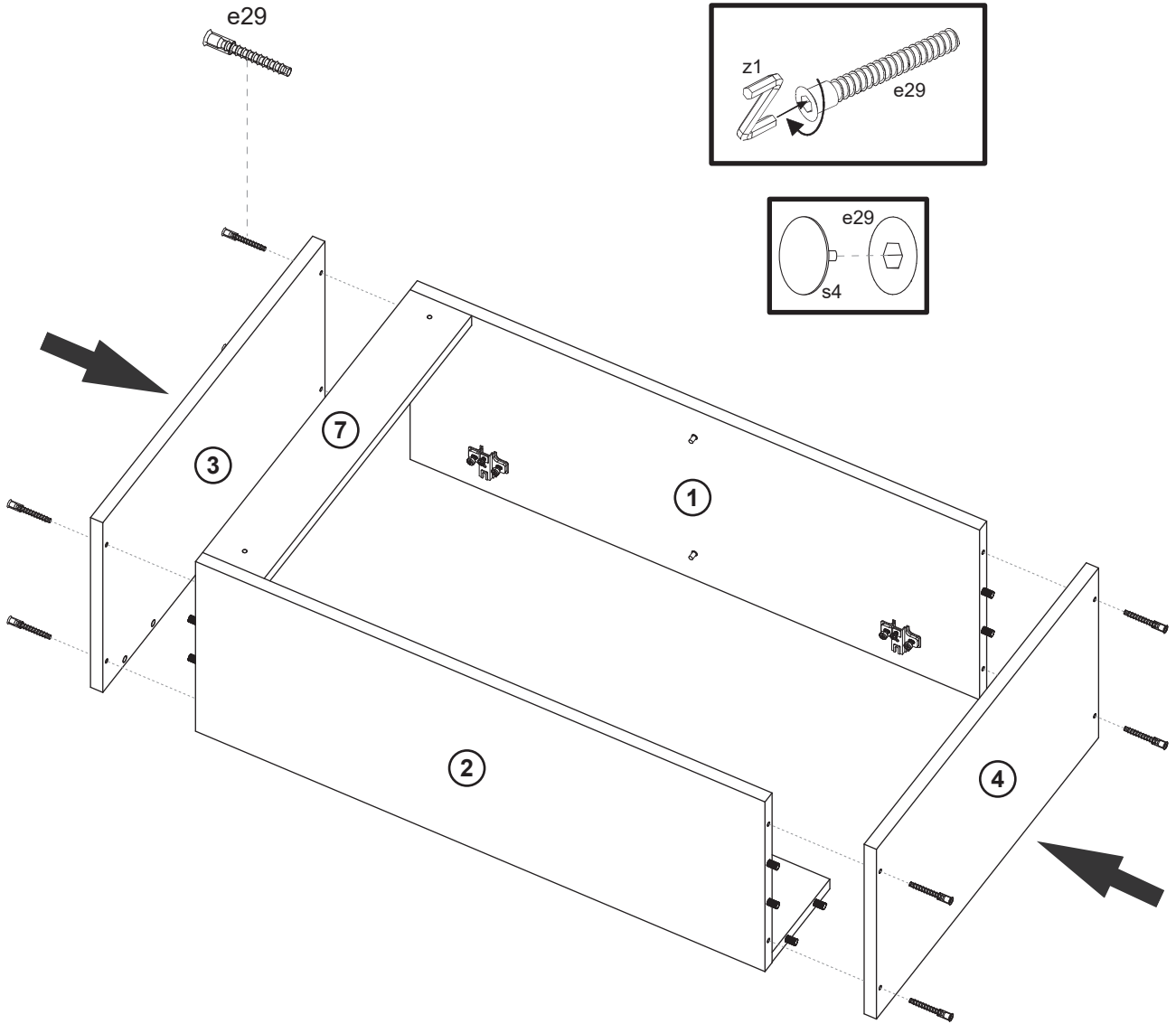


Ø 12mm

z1 x 1



4mm



5

g1 x 24

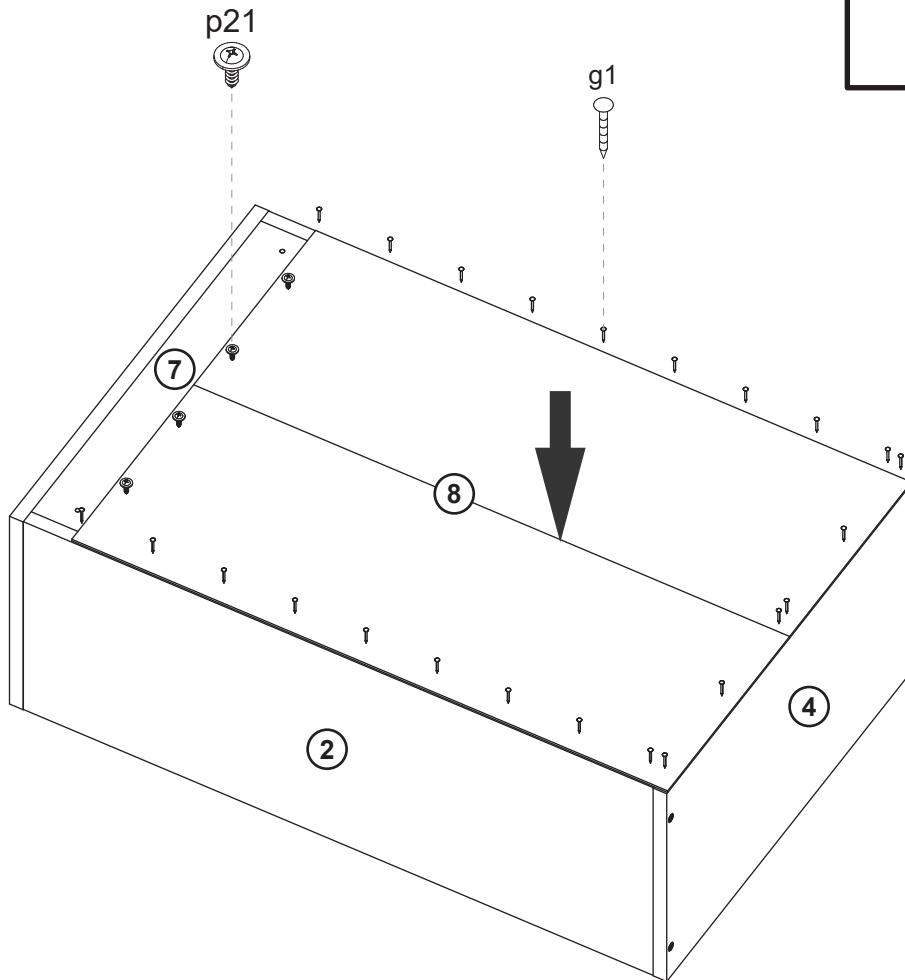
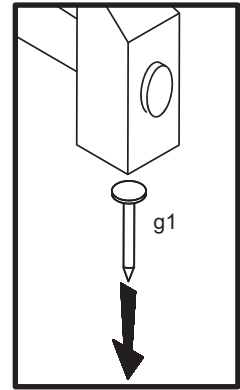


Ø 2x20mm

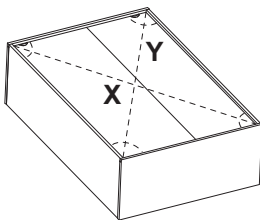
p21 x 4



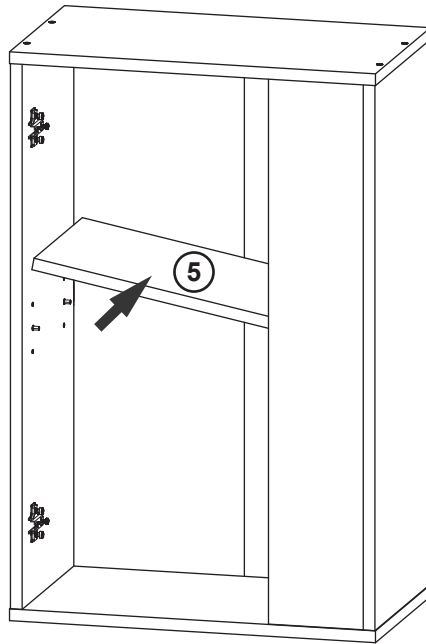
Ø 4,2x16mm



$XX=YY=90^\circ$



6



7

p25 x 2



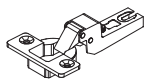
Ø 4,2x25mm

p51 x 4



Ø 3,5x16mm

a2 x 2

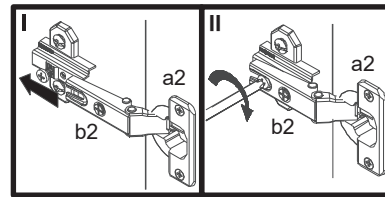
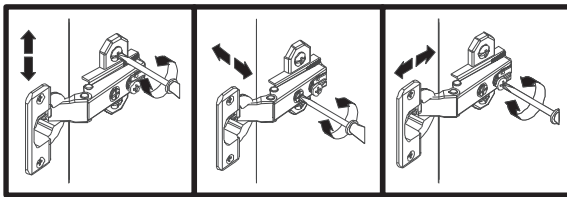
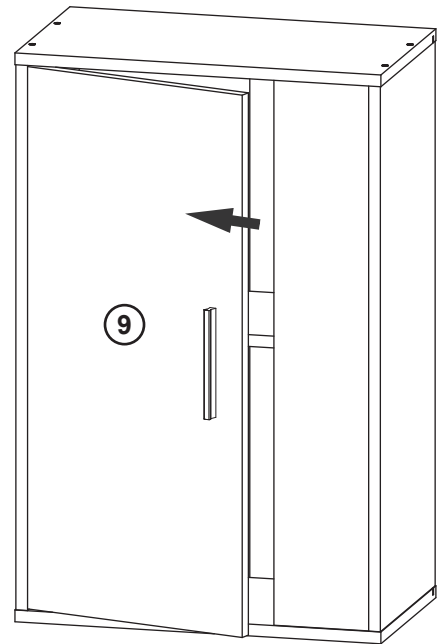
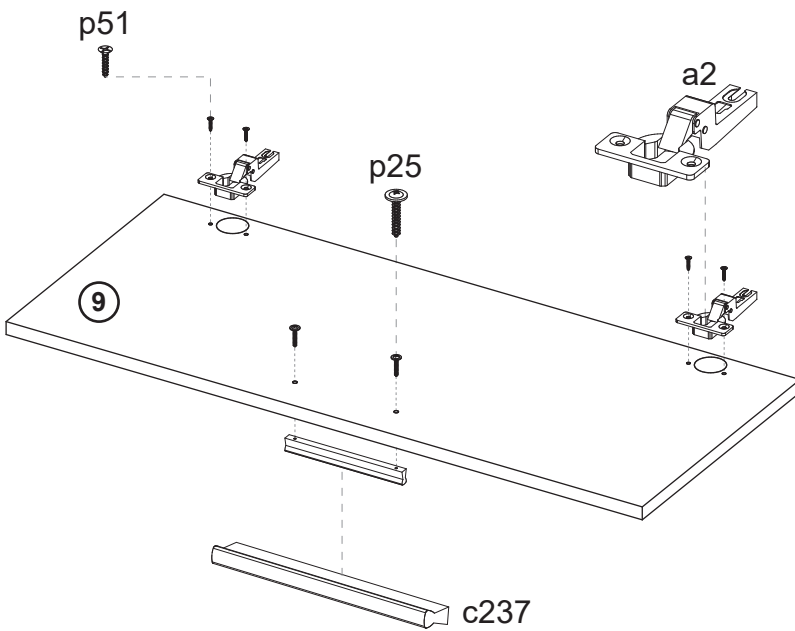


Ø 35mm

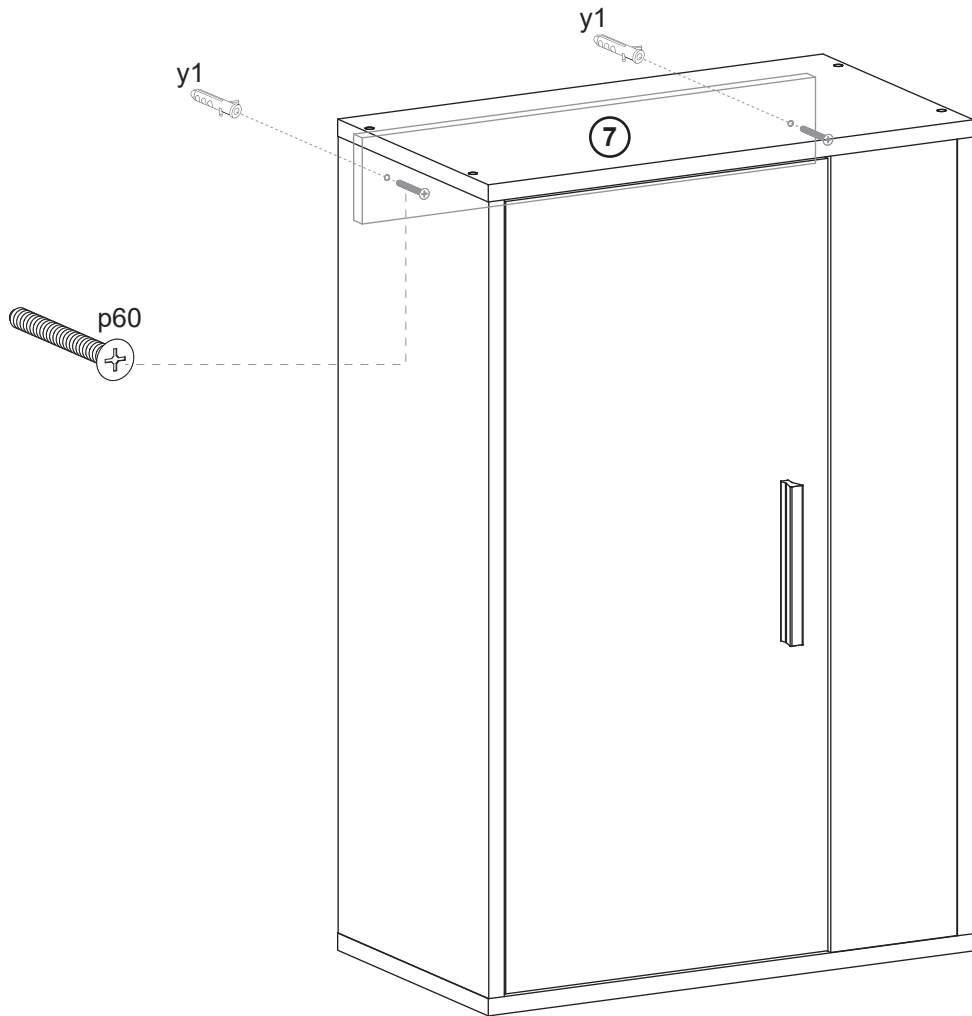
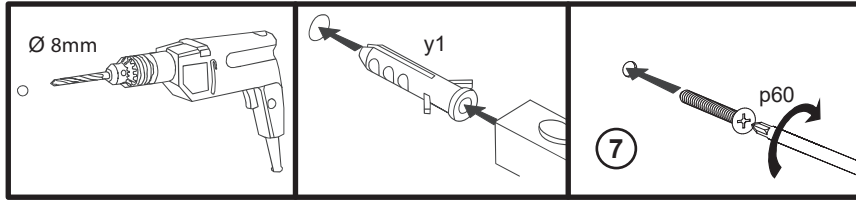
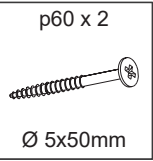
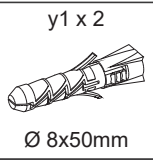
c237 x 1

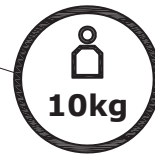
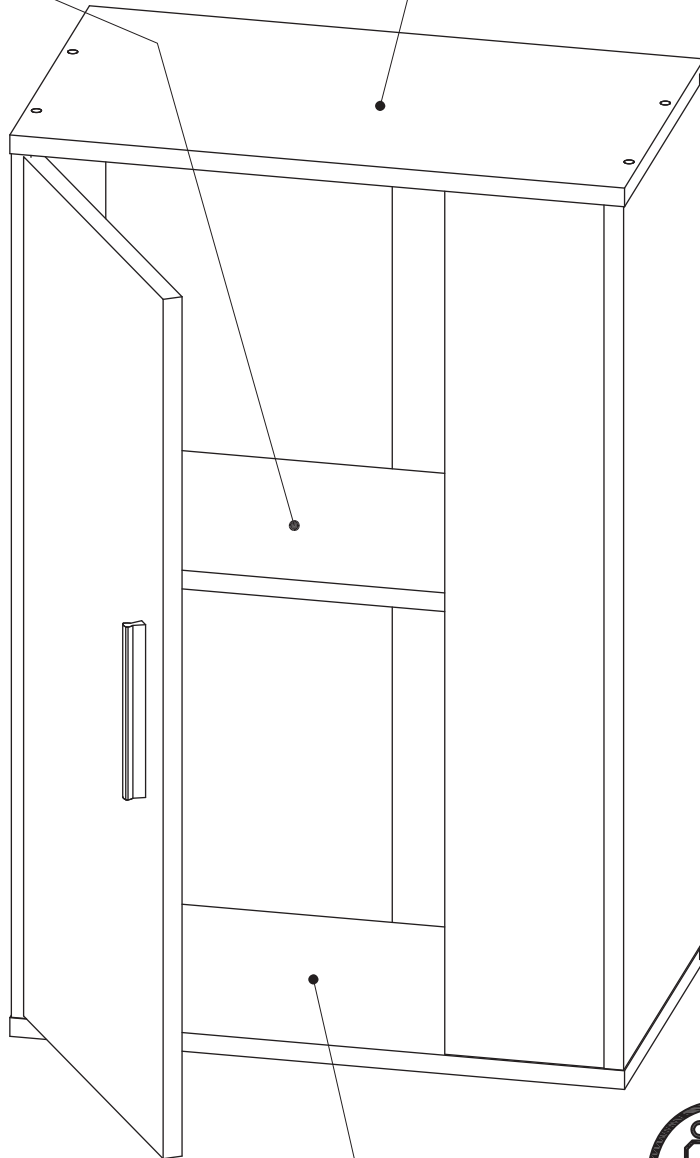


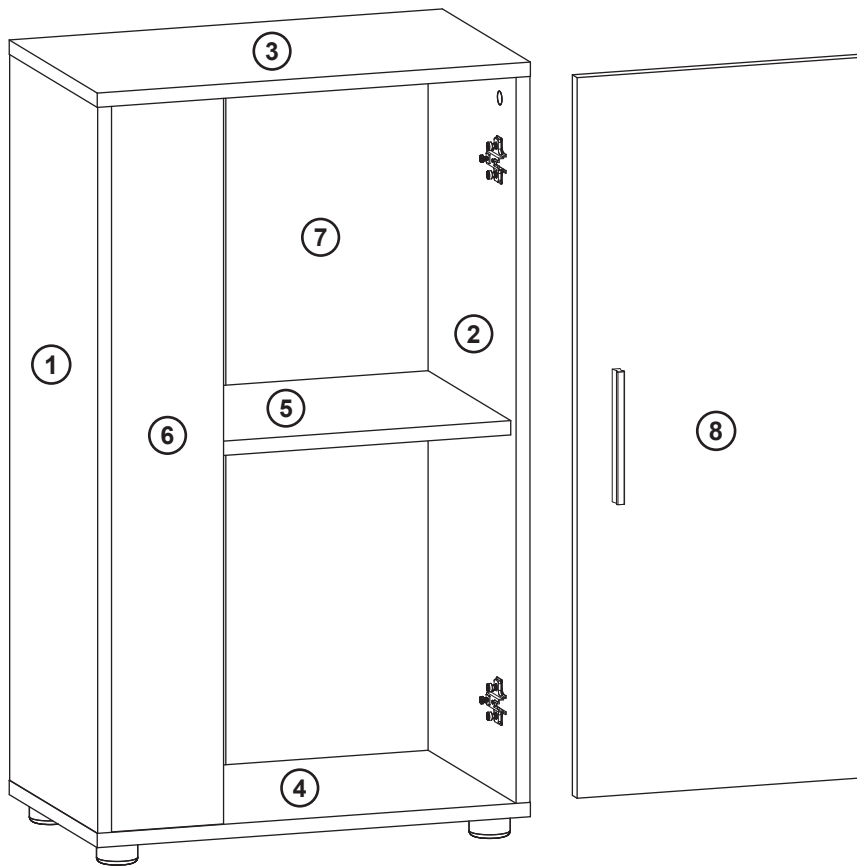
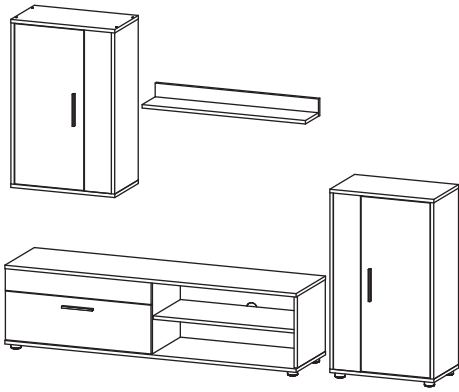
L=128/148mm



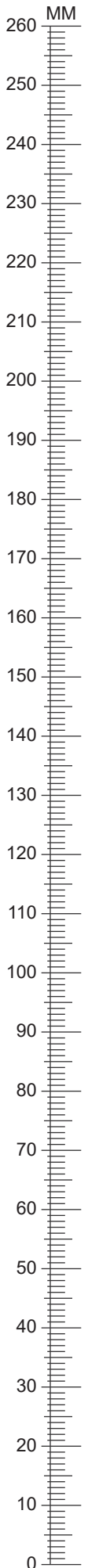
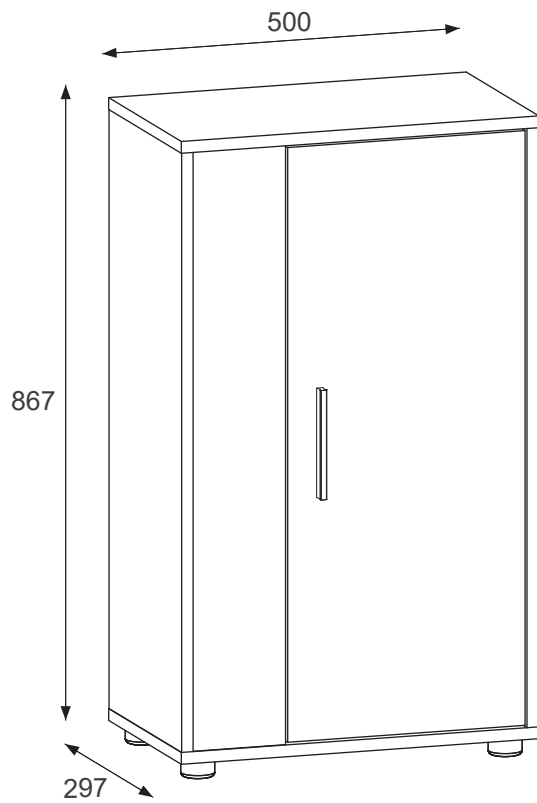
8

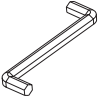

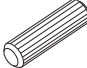

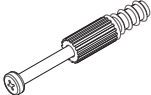

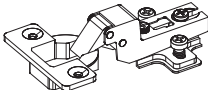








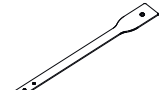






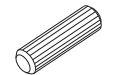
A	B (mm)		C
1	810	295	1/2
2	810	295	1/2
3	500	295	1/2
4	500	295	1/2
5	467	277	1/2
6	810	130	1/2
7	838	496	1/2
8	804	332	2/2



1x  4mm z1	4x  Ø 7x50mm e29	15x  Ø 8x30mm f1
4x  Ø 15x12mm r1	4x  45mm r23	4x  Ø 20mm s2
2x  Ø 35mm ab2	4x  Ø 5mm d1	4x  Ø 12mm s4
4x  Ø 4x25mm p23	2x  Ø 4,2x25mm p25	5x  Ø 3,5x16mm p51
32x  Ø 2x20mm g1	4x  25x45x45mm k43	1x  L=128/148mm c237
1x  154x16x1mm n26/1		

1

f1 x 15



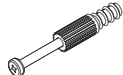
Ø 8x30mm

r1 x 4



Ø 15x12mm

r23 x 4



45mm

d1 x 4

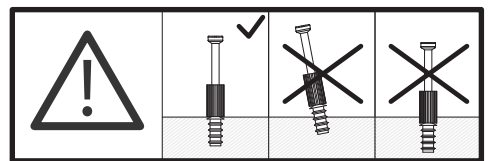
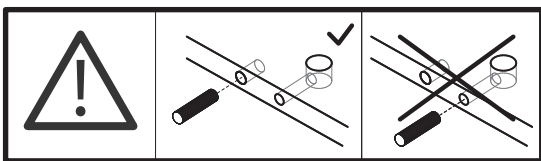
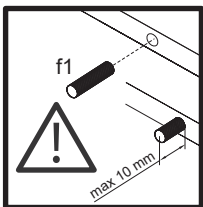
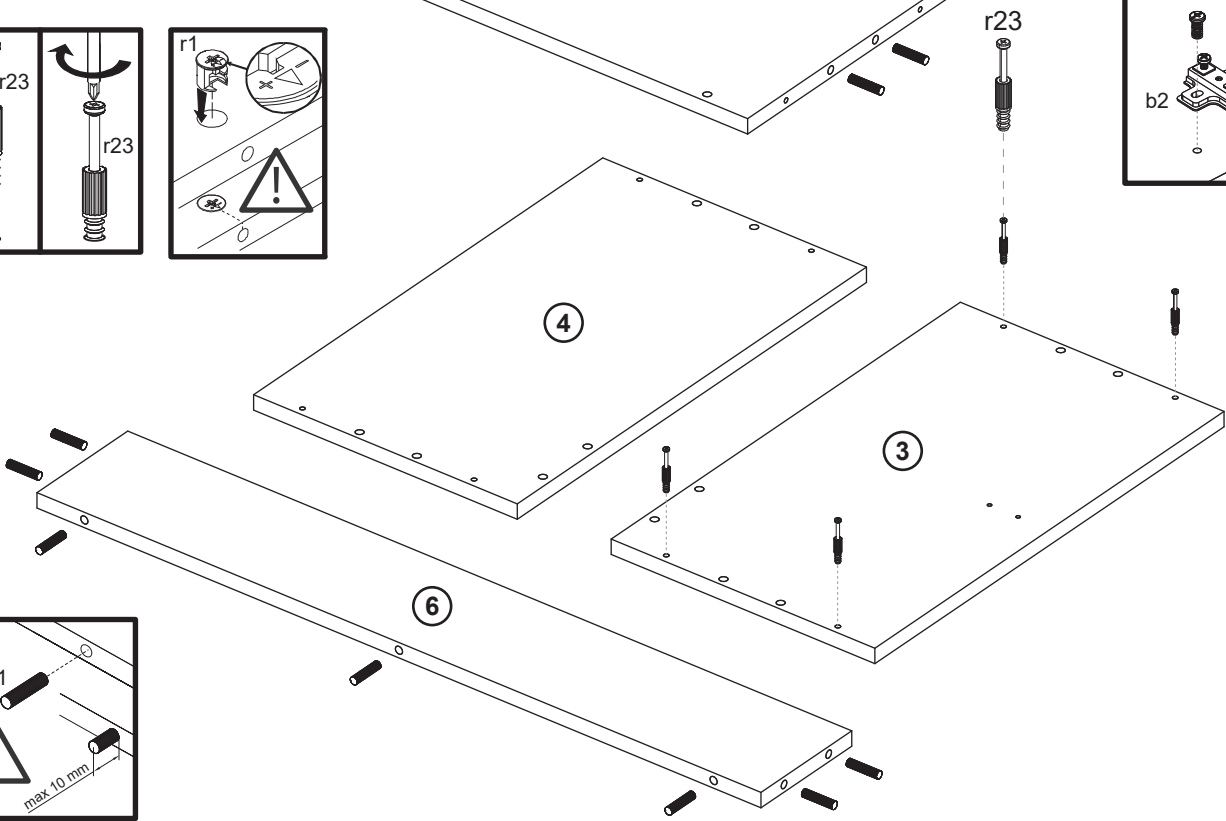
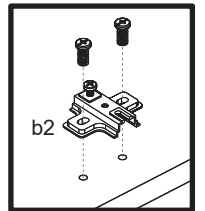
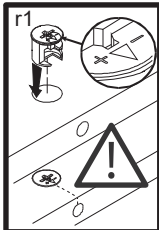
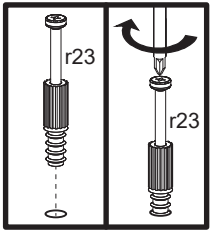
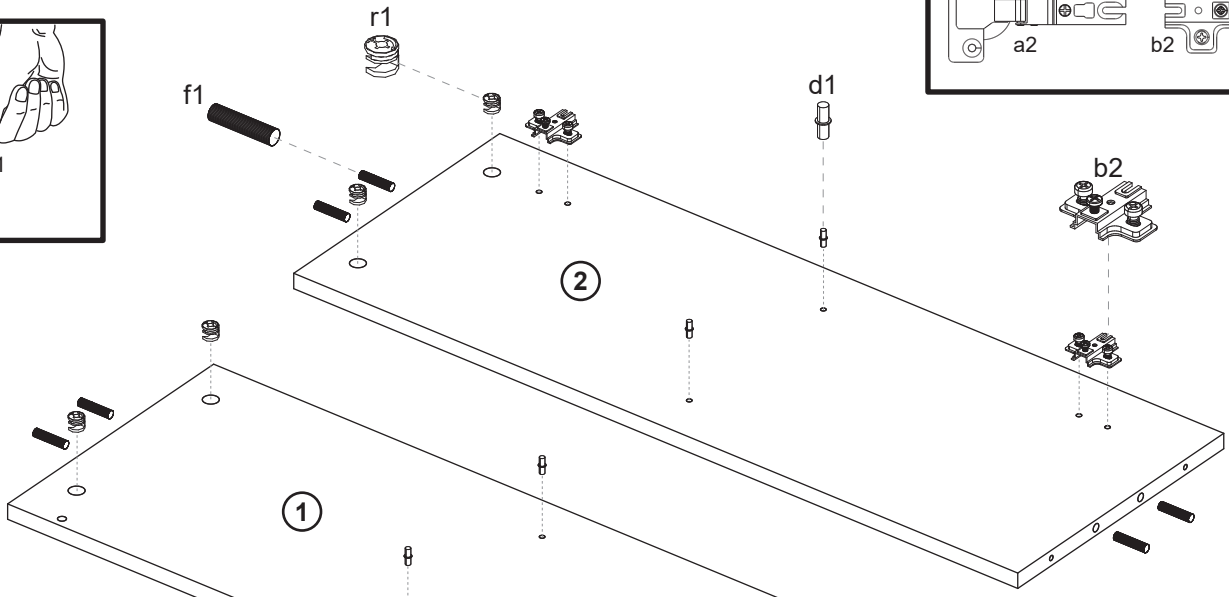
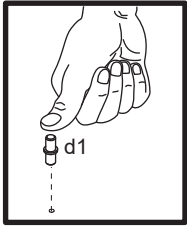
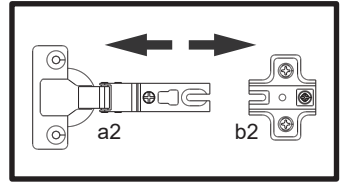


Ø 5mm

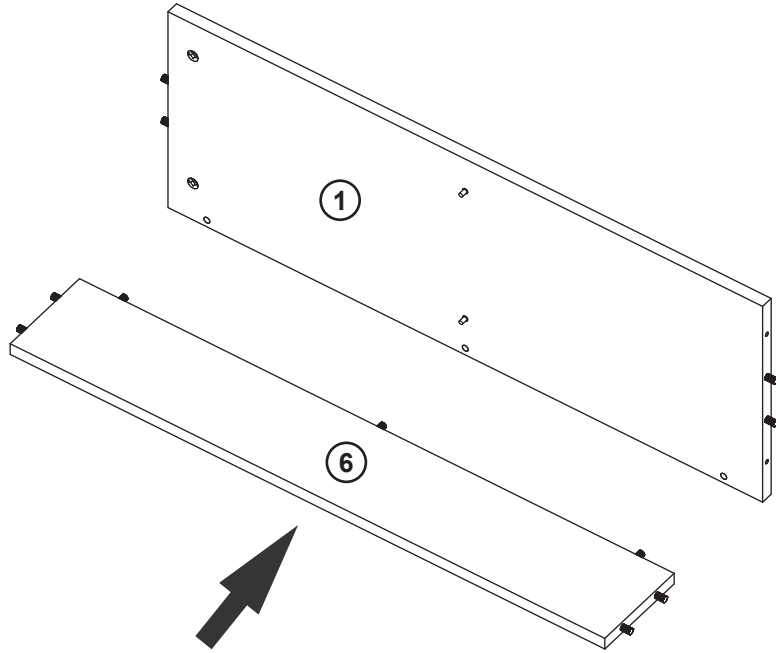
b2 x 2



40x50x12mm



2

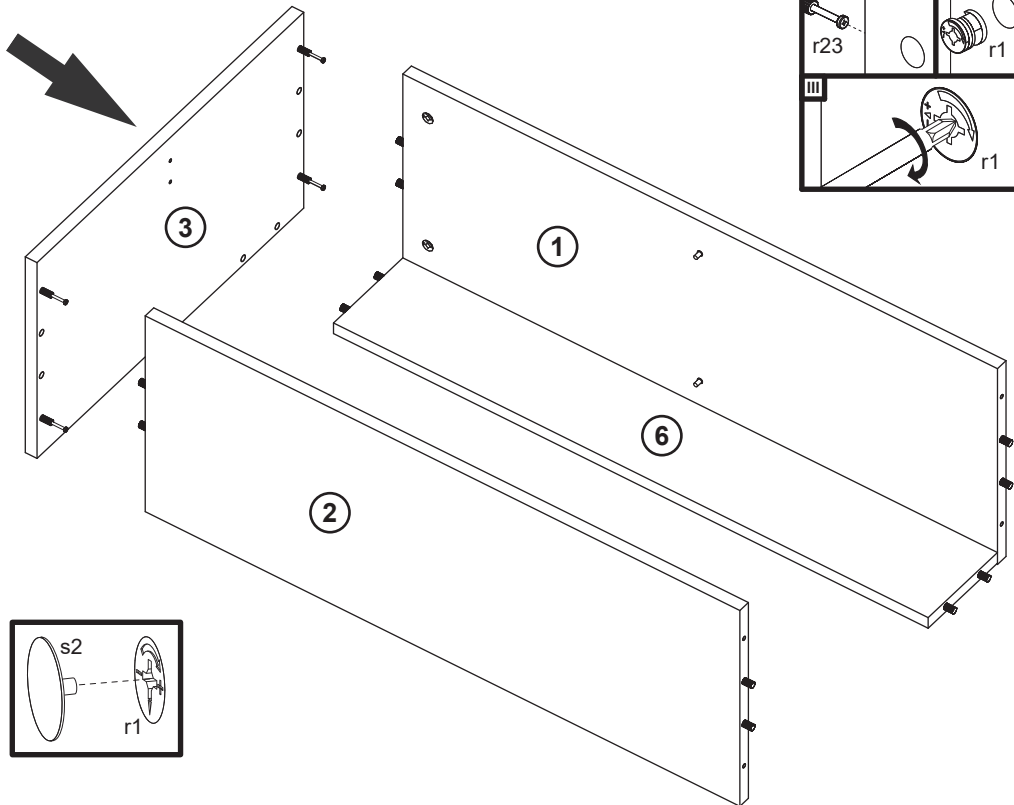


3

s2 x 4



Ø 20mm



4

e29 x 4
Ø 7x50mm

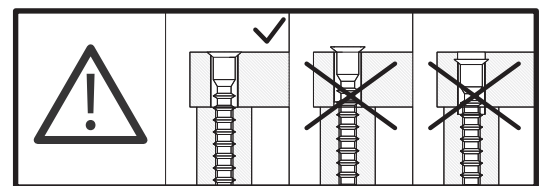
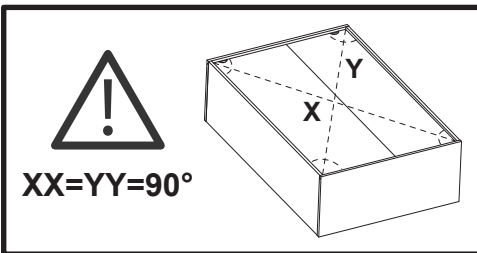
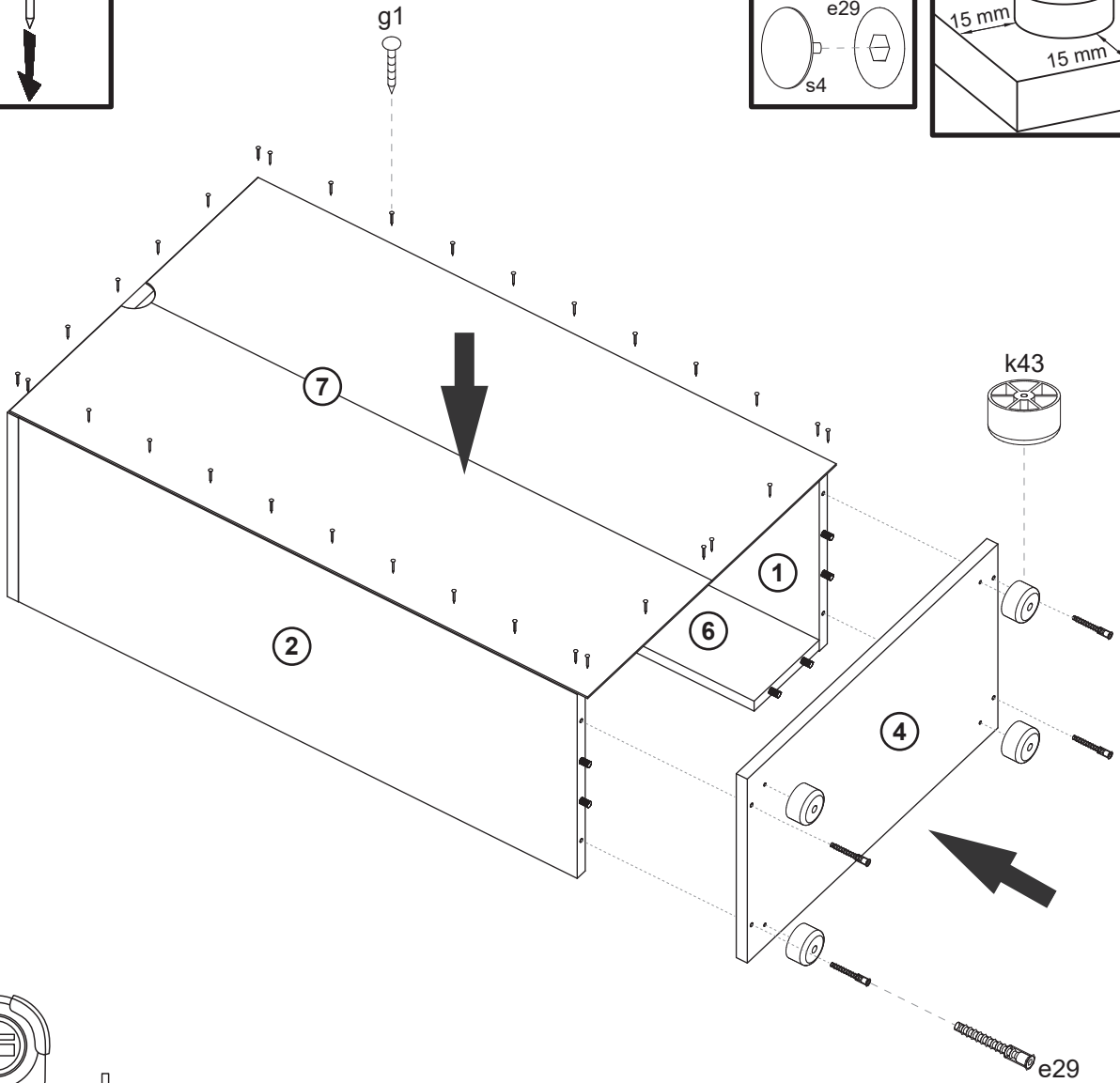
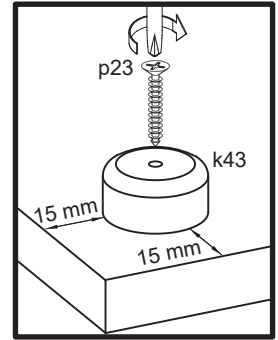
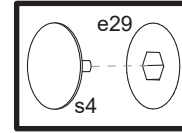
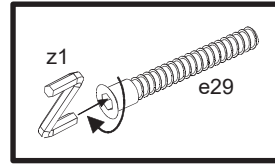
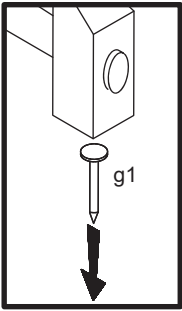
z1 x 1
4mm

s4 x 4
Ø 12mm

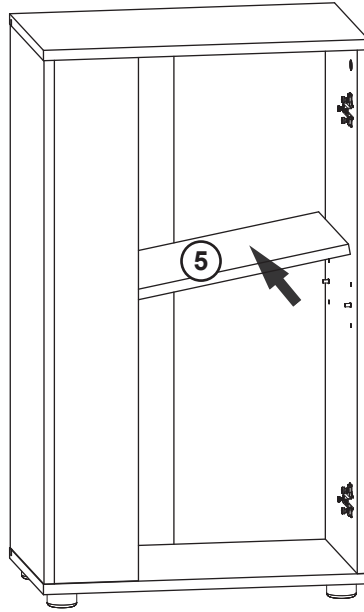
g1 x 32
Ø 2x20mm

k43 x 4
25x45x45mm

p23 x 4
Ø 4x25mm



5



6

p25 x 2



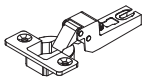
Ø 4,2x25mm

p51 x 4



Ø 3,5x16mm

a2 x 2

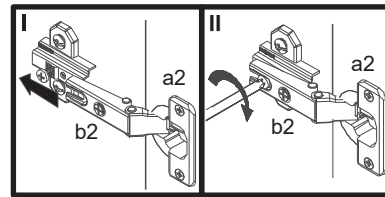
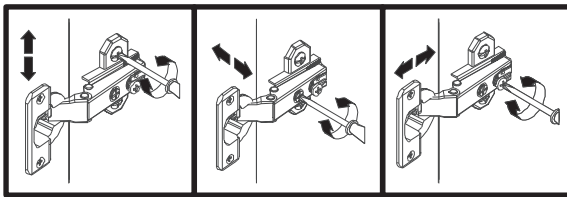
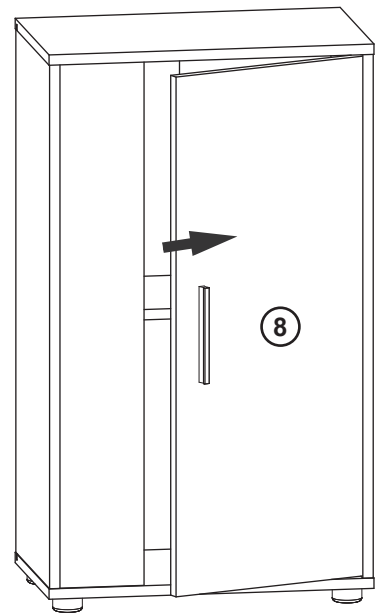
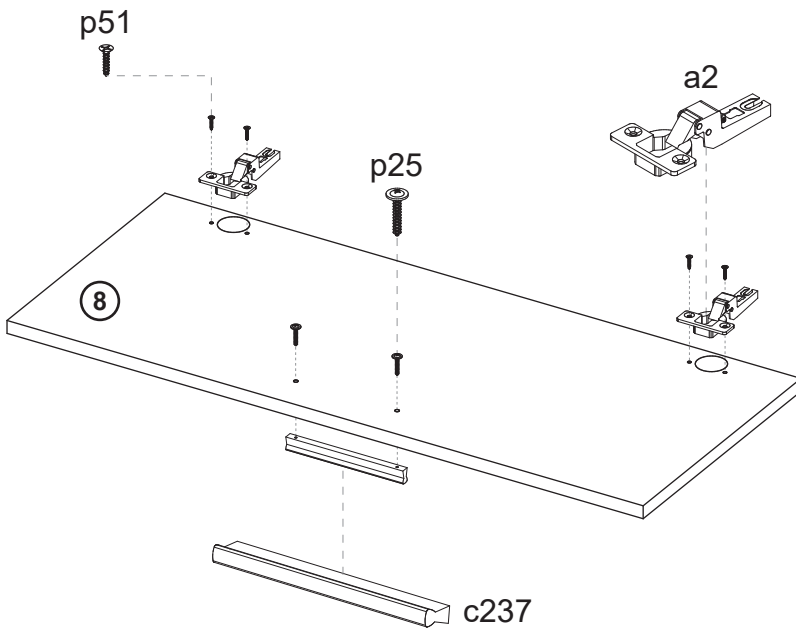


Ø 35mm

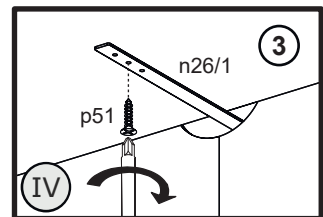
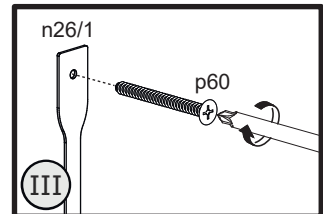
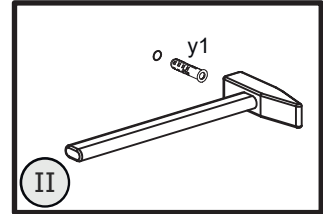
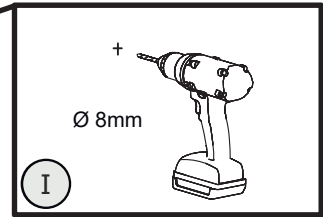
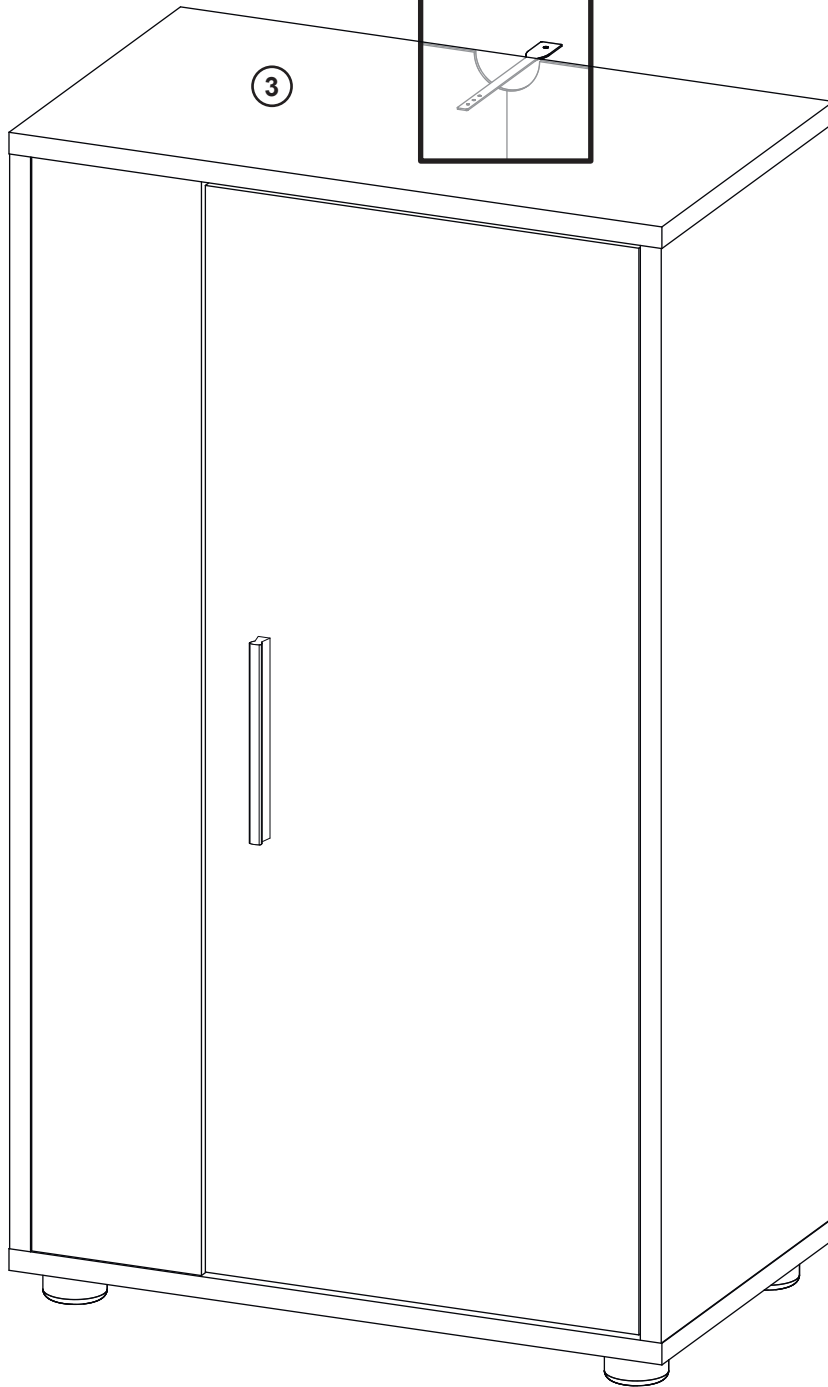
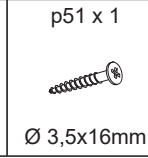
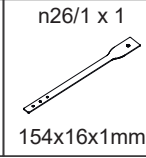
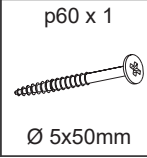
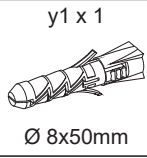
c237 x 1

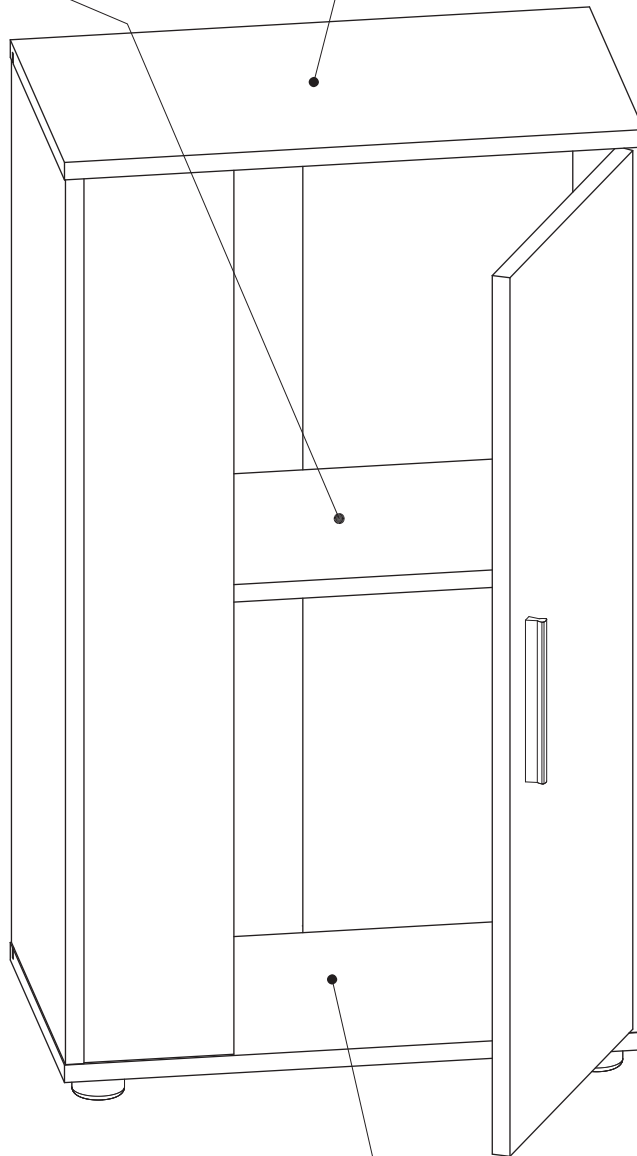


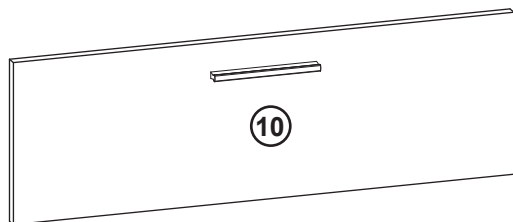
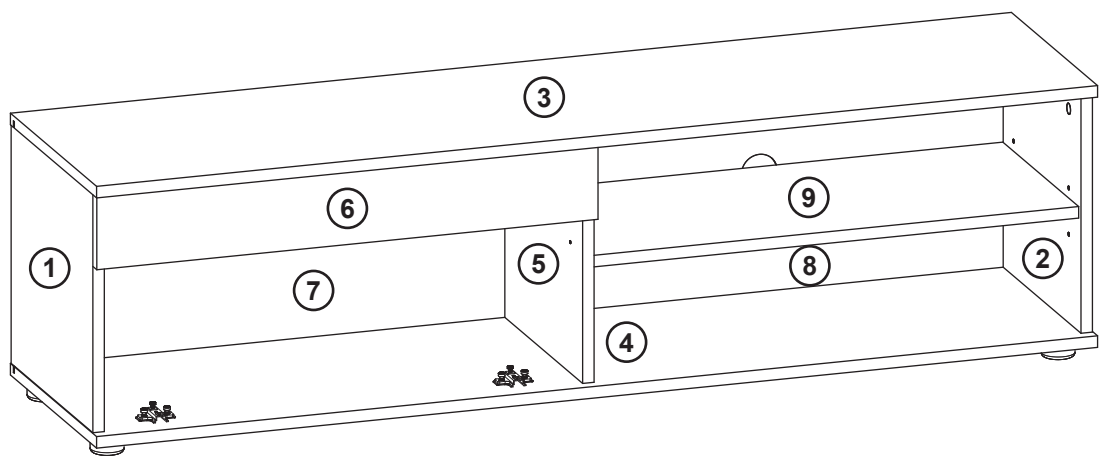
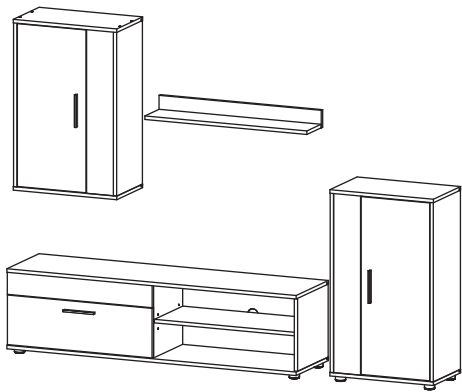
L=128/148mm



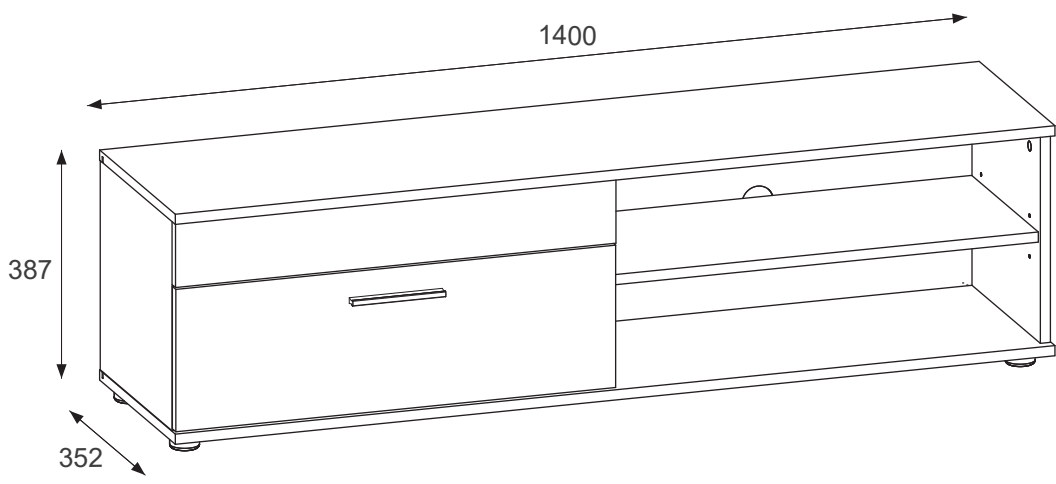
7

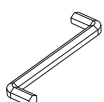

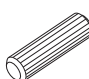

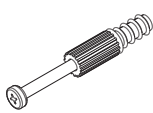
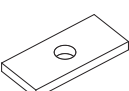
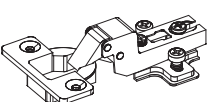







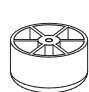









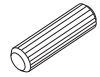
A	B (mm)		C
1	330	332	2/2
2	330	332	2/2
3	1400	350	2/2
4	1400	350	2/2
5	330	332	2/2
6	701	100	2/2
7	691	358	2/2
8	703	358	2/2
9	680	324	2/2
10	700	224	2/2



1x  4mm z1	6x  Ø 7x50mm e29	23x  Ø 8x30mm f1
6x  Ø 15x12mm r1	6x  45mm r23	3x  L=20x10x2 mm n108
2x  Ø 35mm ab2	5x  Ø 4x25mm p23	2x  Ø 4,2x25mm p25
7x  Ø 3x16mm p50	4x  Ø 3,5x16mm p51	1x  L=128/148mm c237
6x  Ø 12mm s4	6x  Ø 20mm s2	5x  25x45x45mm k43
1x  m4	4x  Ø 5mm d1	44x  Ø 2x20mm g1

1

f1 x 23



Ø 8x30mm

r1 x 6

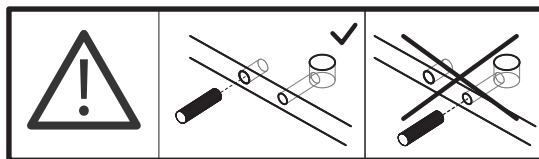
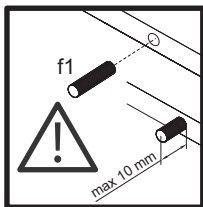
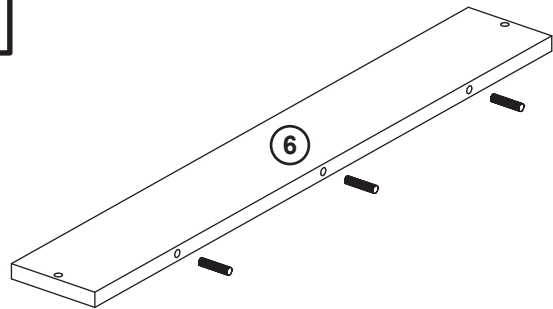
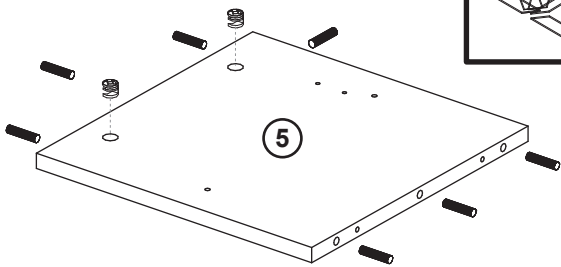
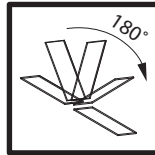
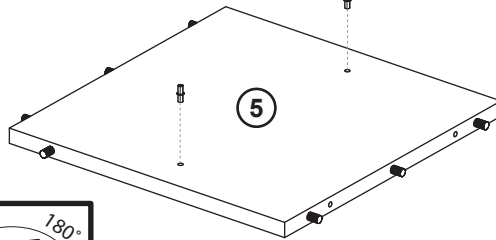
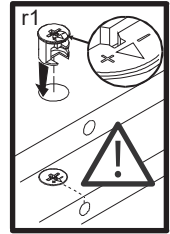
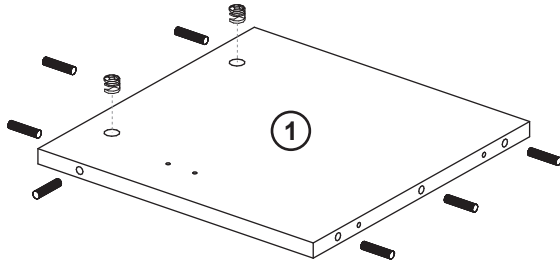
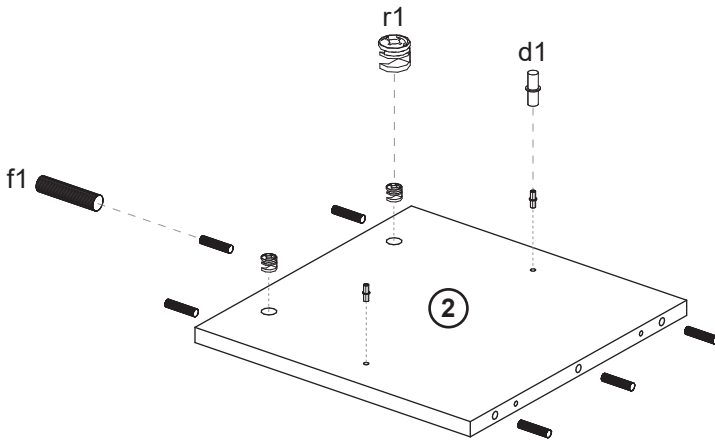
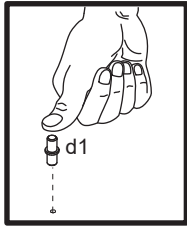


Ø 15x12mm

d1 x 4

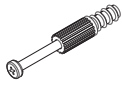


Ø 5mm



2

r23 x 6

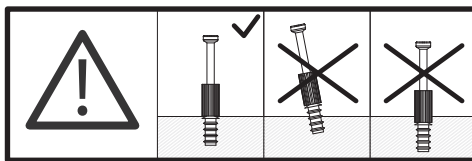
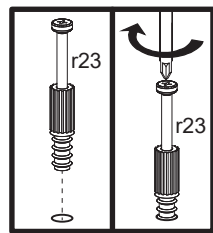
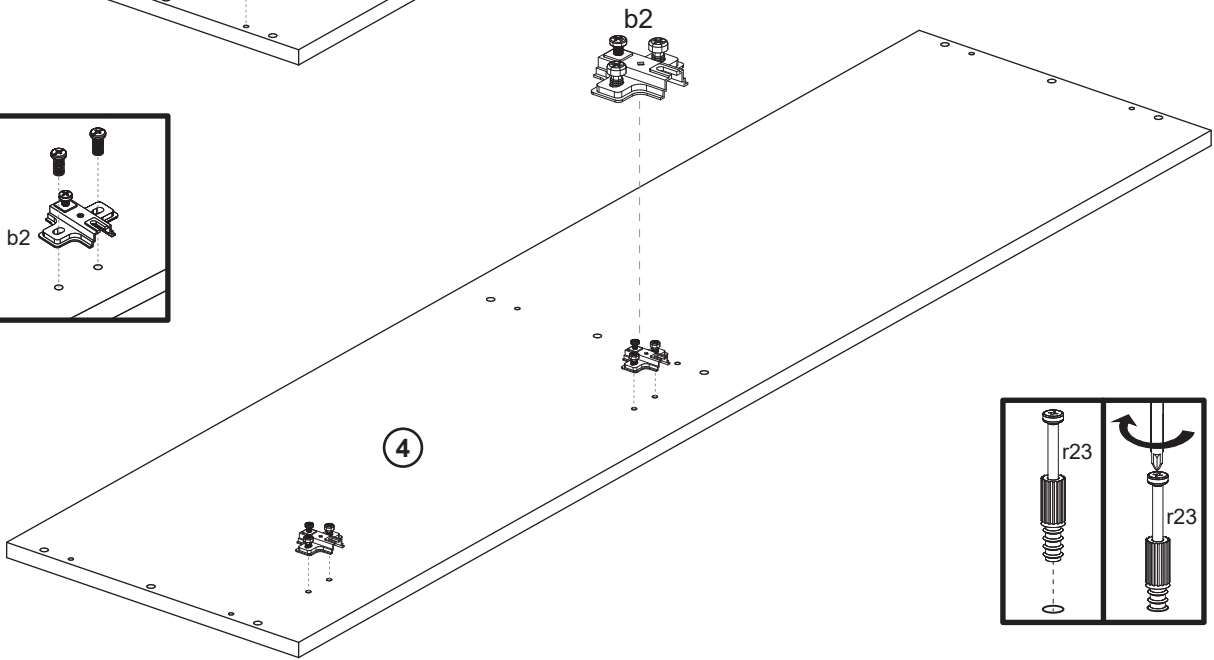
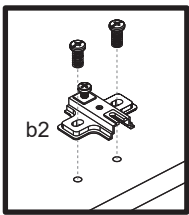
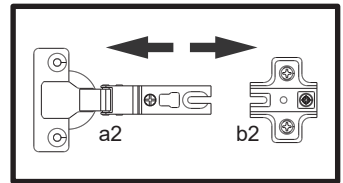
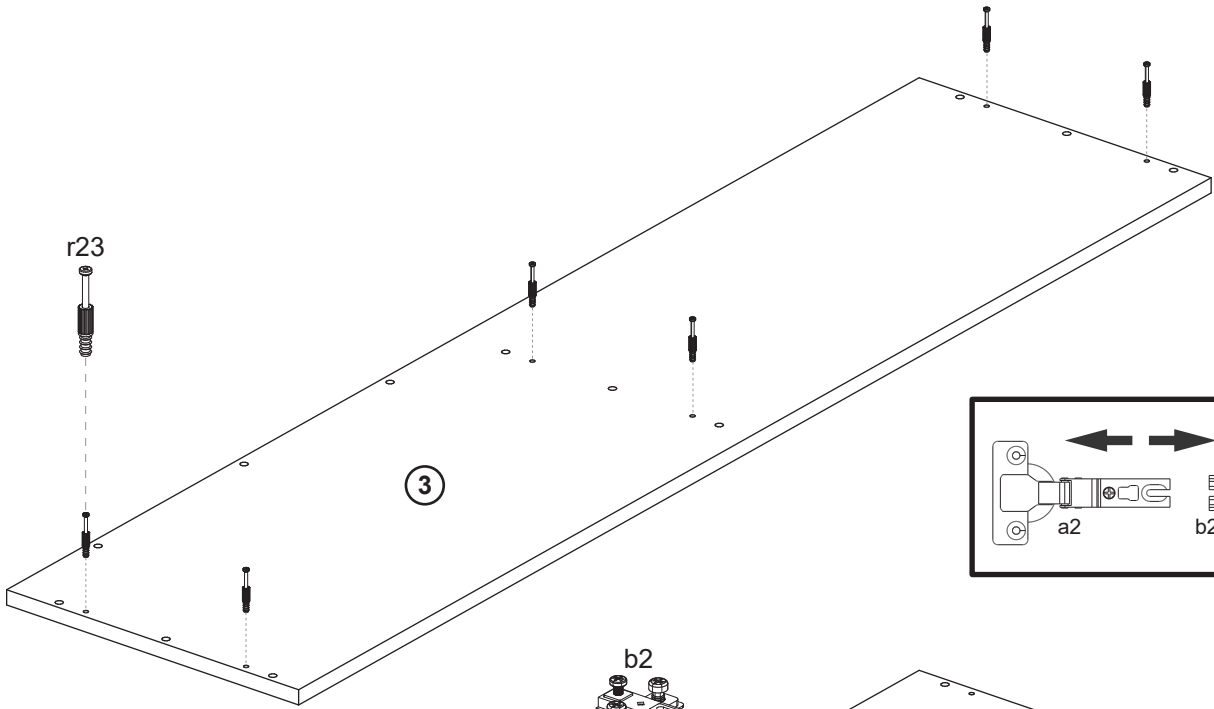


45mm

b2 x 2



40x50x12mm



3

e29 x 6



Ø 7x50mm

z1 x 1

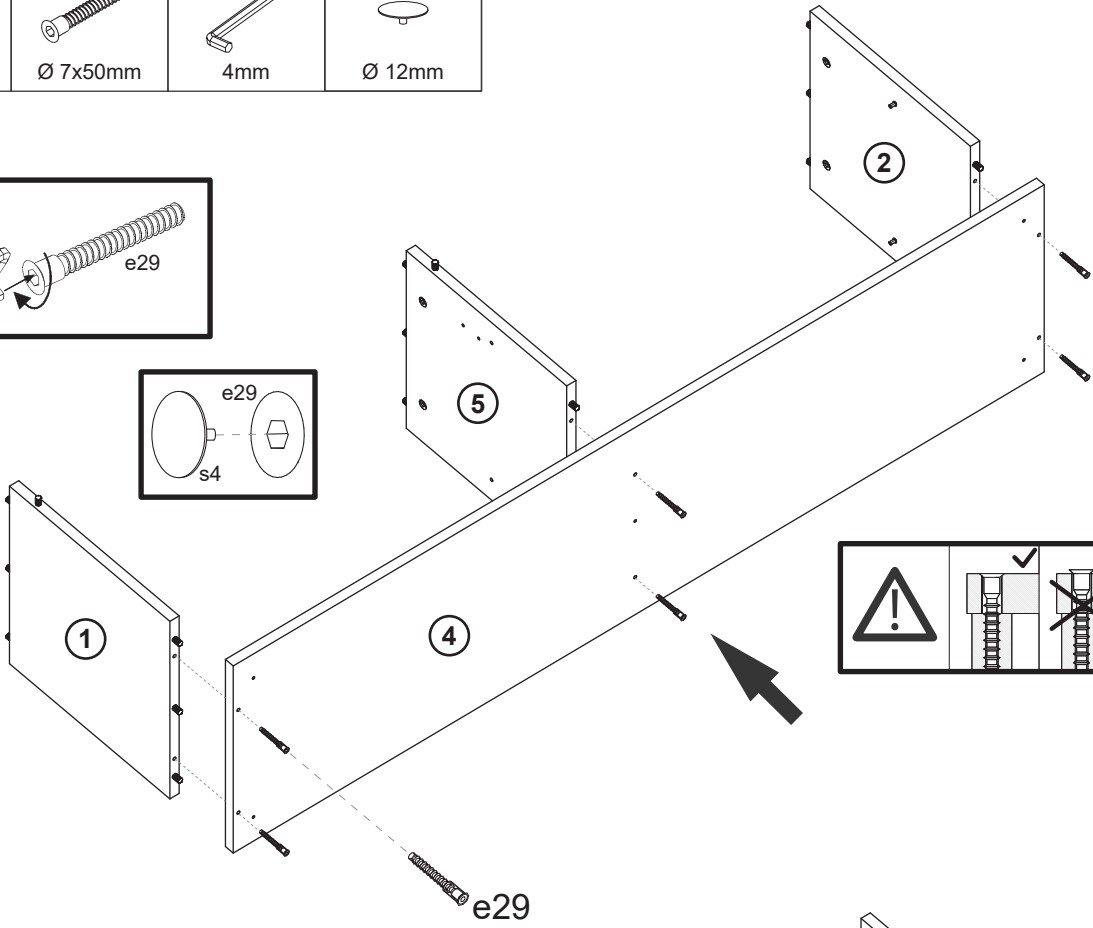
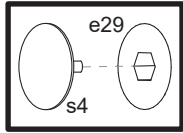
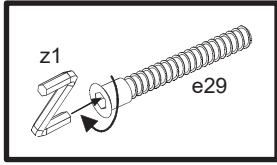


4mm

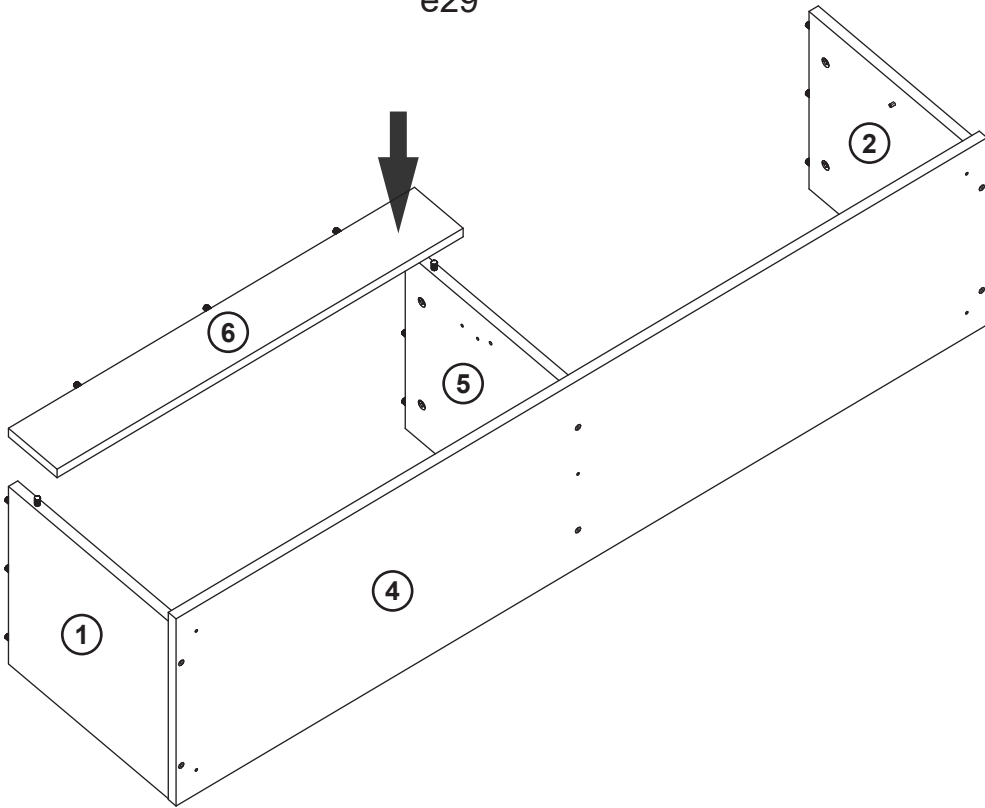
s4 x 6



Ø 12mm



4

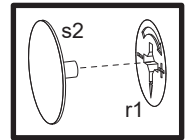
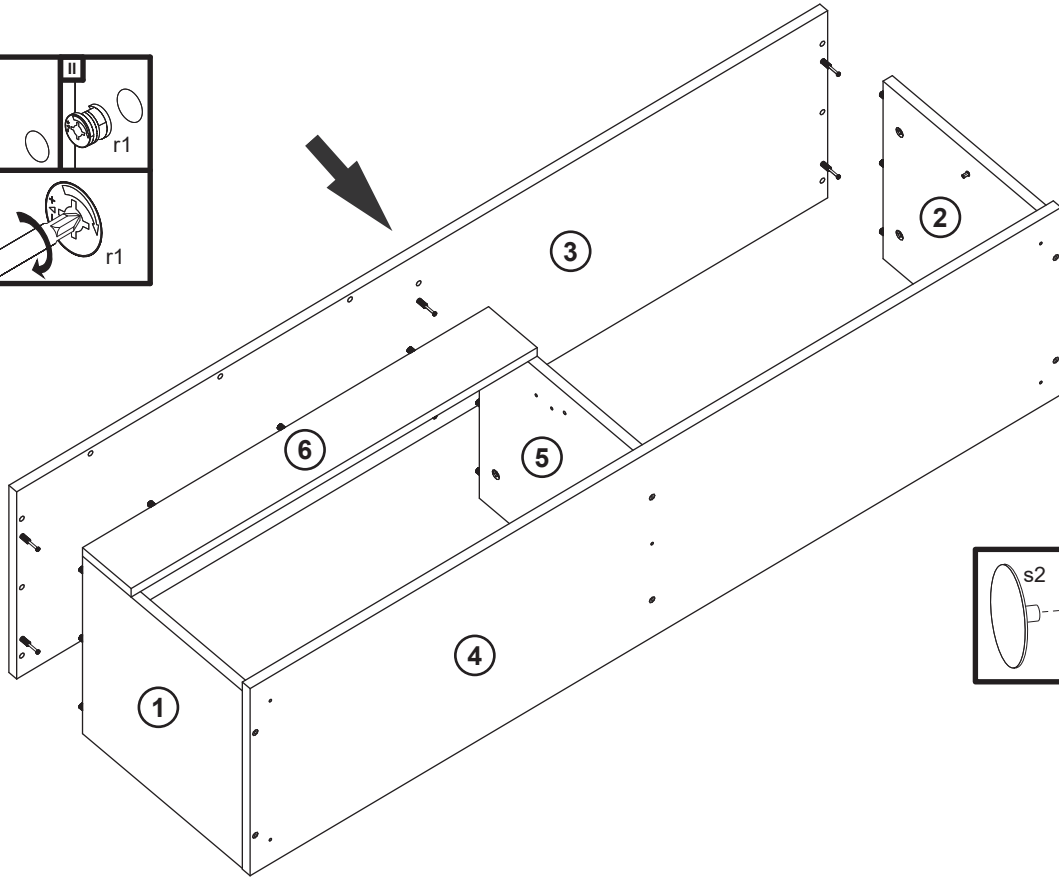
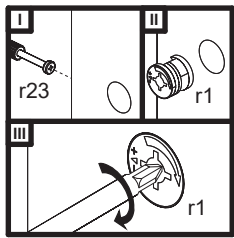


5

s2 x 6



Ø 20mm



6

g1 x 44



Ø 2x20mm

k43 x 5



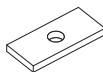
25x45x45mm

p23 x 5



Ø 4x25mm

n108 x 3

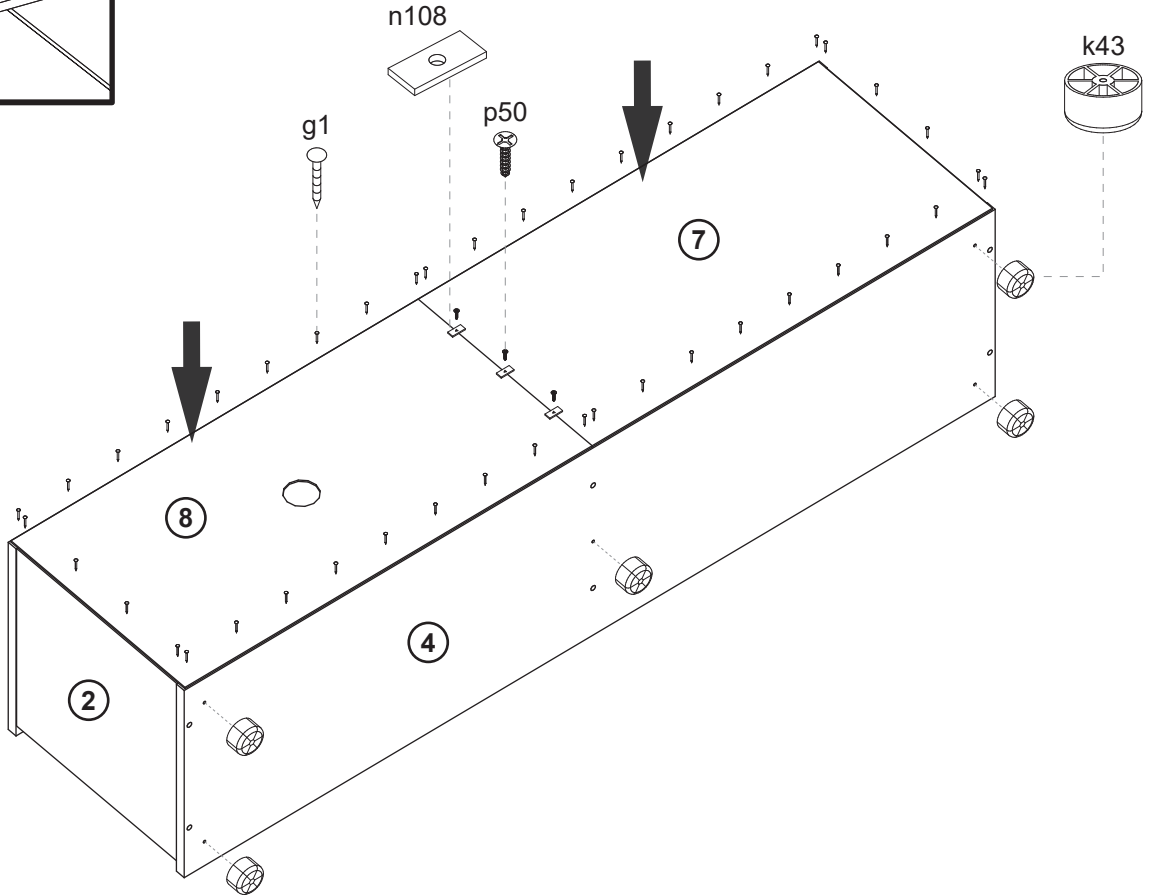
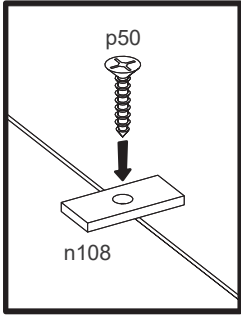


L=20x10x2mm

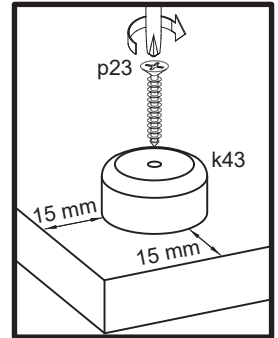
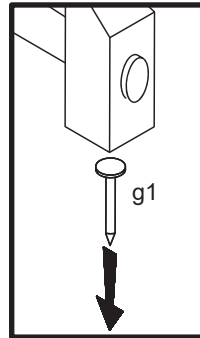
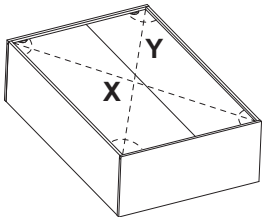
p50 x 3



Ø 3x16mm



$XX=YY=90^\circ$



7

p25 x 2



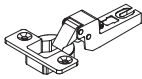
Ø 4,2x25mm

p51 x 4



Ø 3,5x16mm

a2 x 2



Ø 35mm

c237 x 1



L=128/148mm

p50 x 4

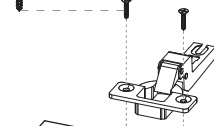


Ø 3x16mm

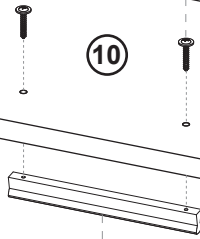
m4 x 1



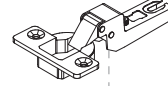
p51



p25



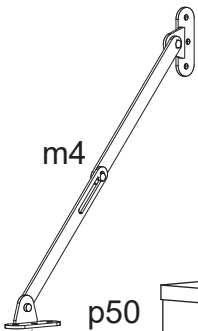
a2



10

c237

m4



p50



I

II

