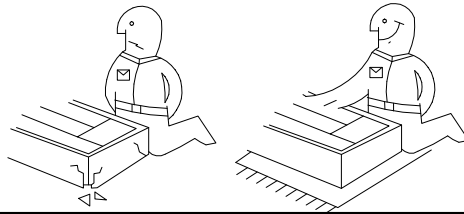
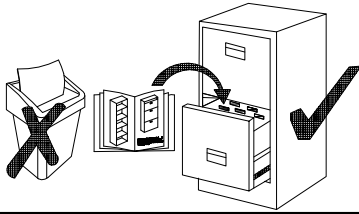
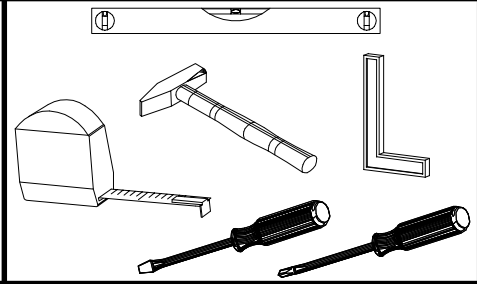
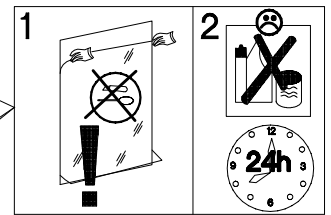
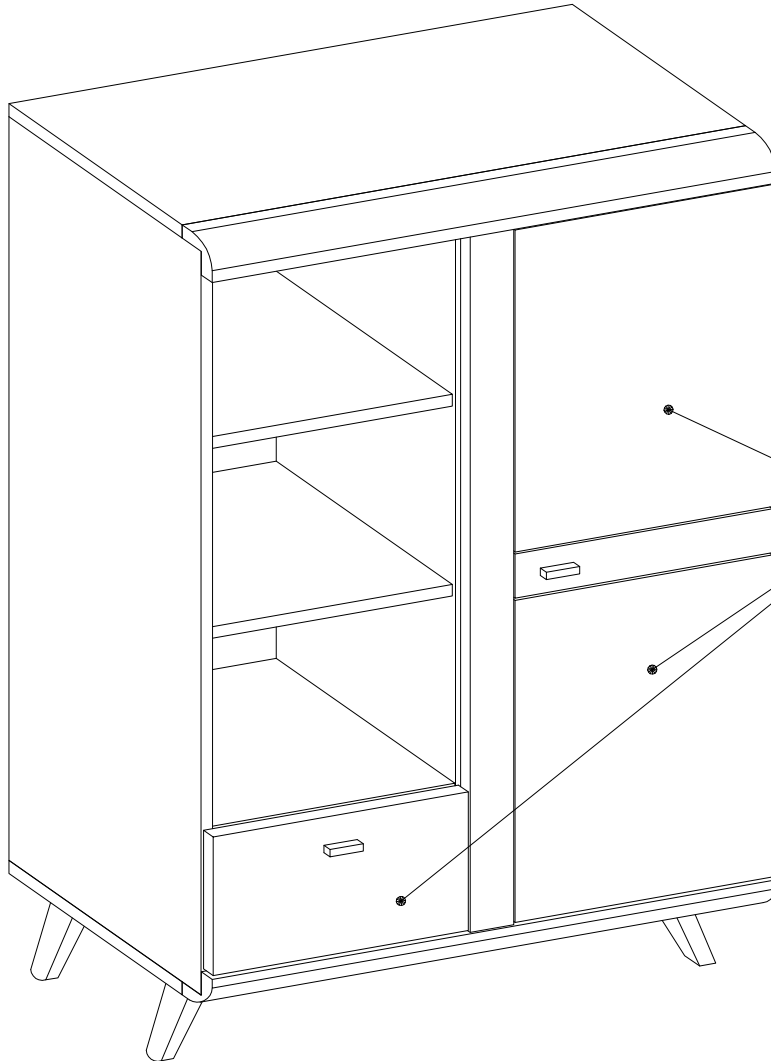


# 03




ARWH 03



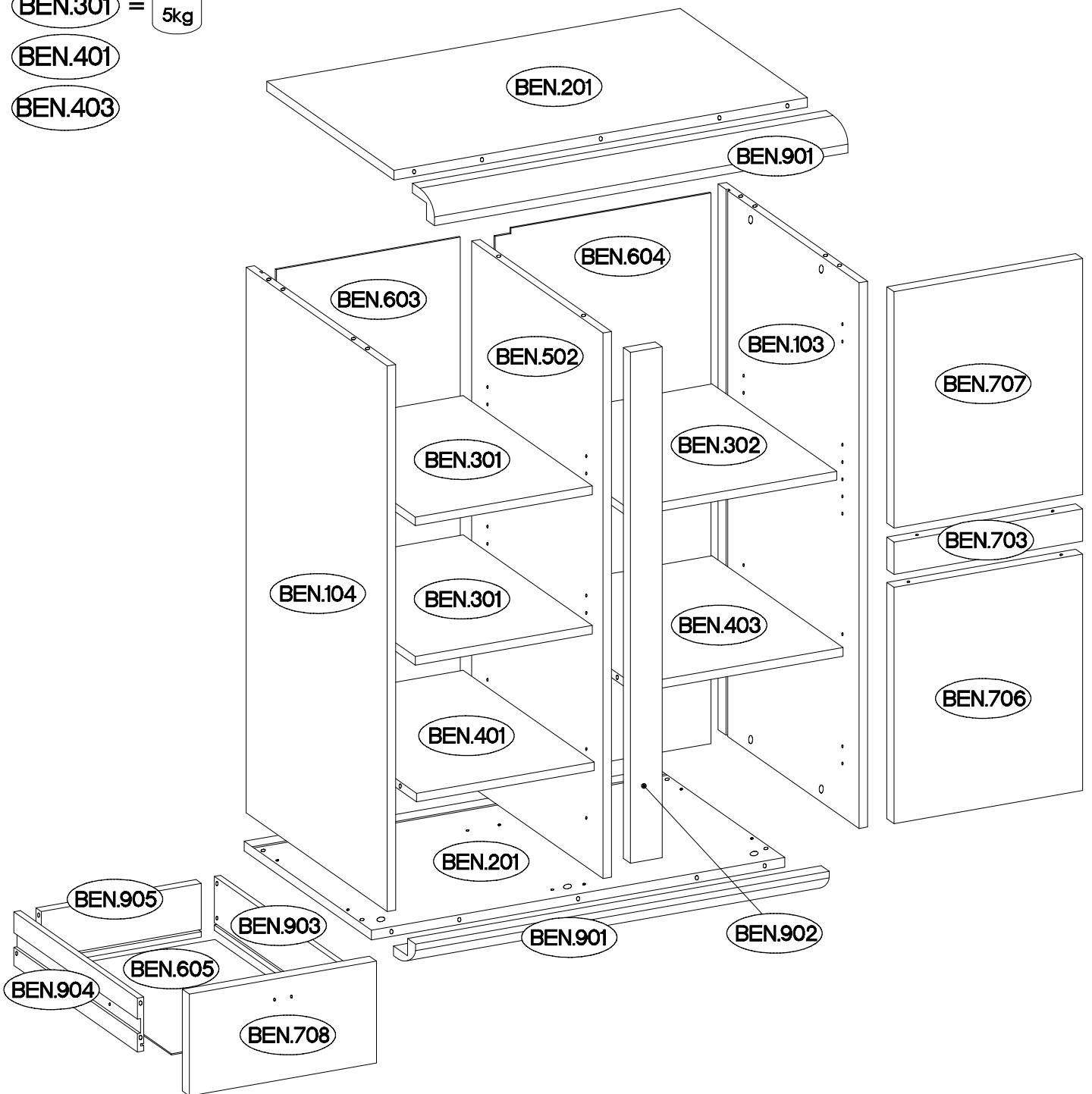
				 A5	 B2	 U1	 O1	 I3	 M2	 U
				4	2	2	1	1	4	4
 T11	 L	 P7	 L2	 P5	 L19	 O7	 P12	 J3	 F13	 S11
3	8	11	5	8	1	1	1	12	4	2
		 C	 D2	 A	 E	 H	 G	 L24	 P1	
		26	26	14	26	3	3	4	18	

ISM-BEN-02

BEN.301 =  max. 5kg

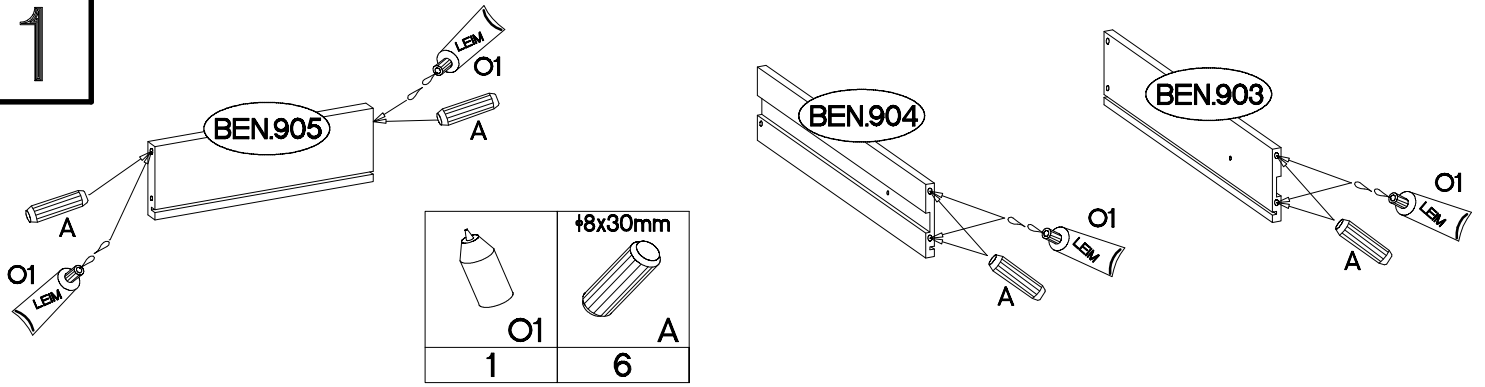
BEN.401

BEN.403

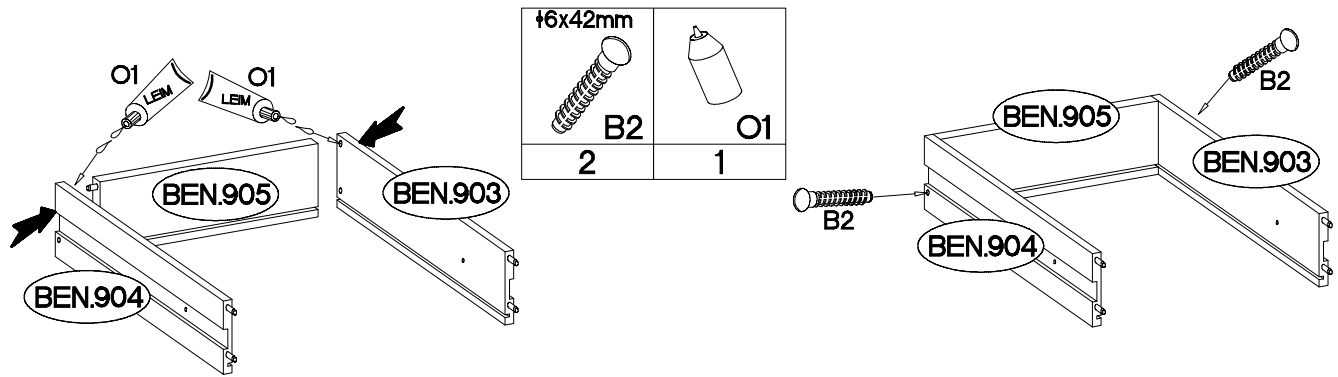


Coli	Ersatzteil Nummer	Dimension	Coli	Ersatzteil Nummer	Dimension
1/1	BEN.103	1014x320x16	1/1	BEN.605	276x312x2,5
	BEN.104	1014x320x16		BEN.706	439x356x16
	BEN.201	780x288,5x18 x2		BEN.707	439x356x16
	BEN.301	334x283x16 x2		BEN.708	353x189x16
	BEN.302	394x283x16		BEN.703	356x60x16
	BEN.401	335x297x16		BEN.902	949x60x16
	BEN.403	395x297x16		BEN.901	780x50x50 x2
	BEN.502	1014x298x16		BEN.903	280x100x12
	BEN.603	1023x347x2,5		BEN.904	280x100x12
	BEN.604	1023x407x2,5		BEN.905	302x100x12

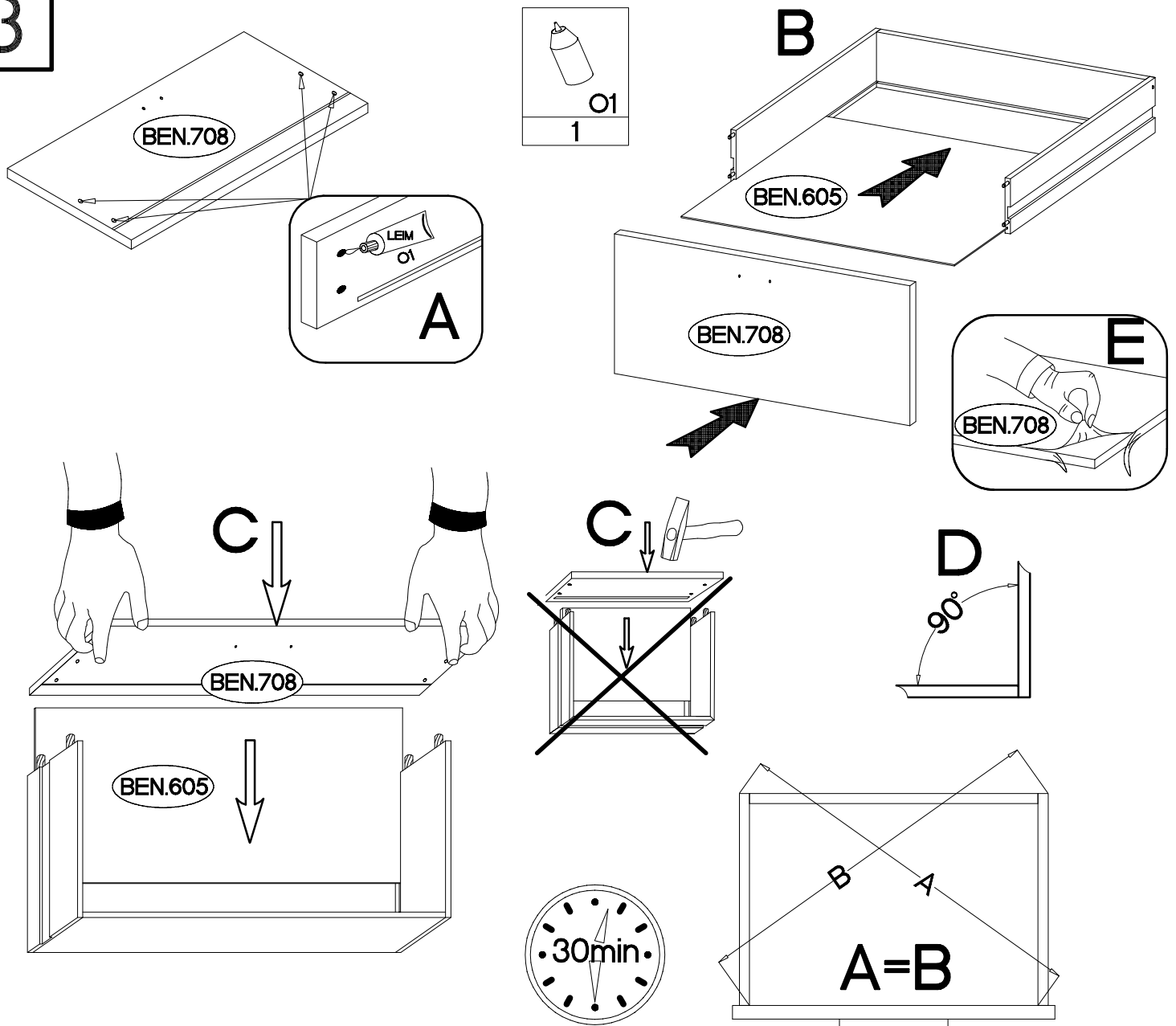
1



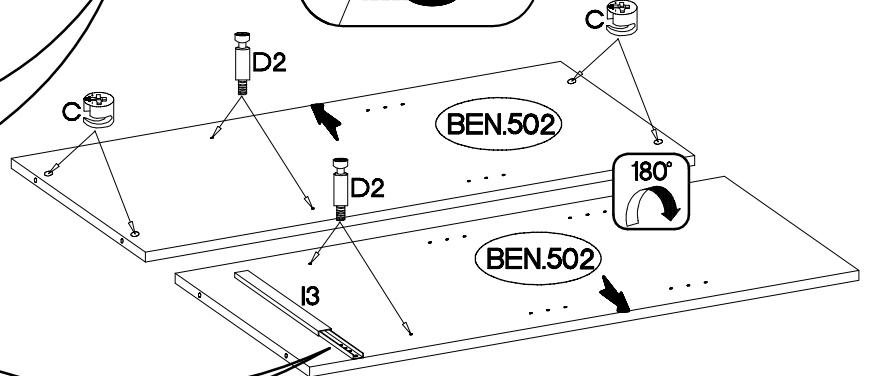
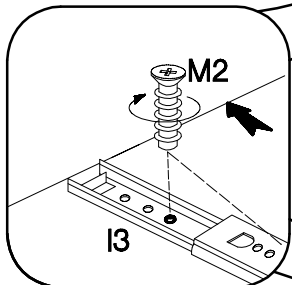
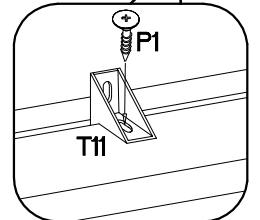
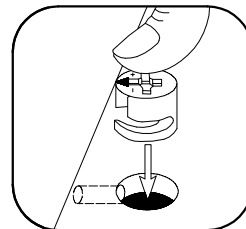
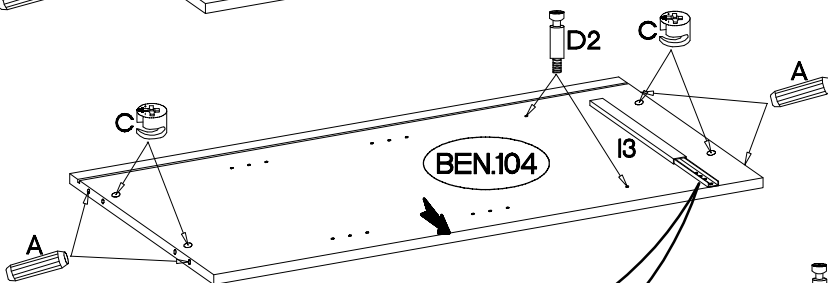
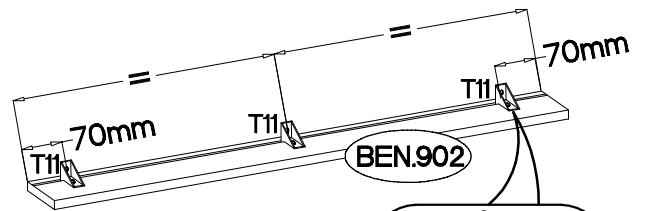
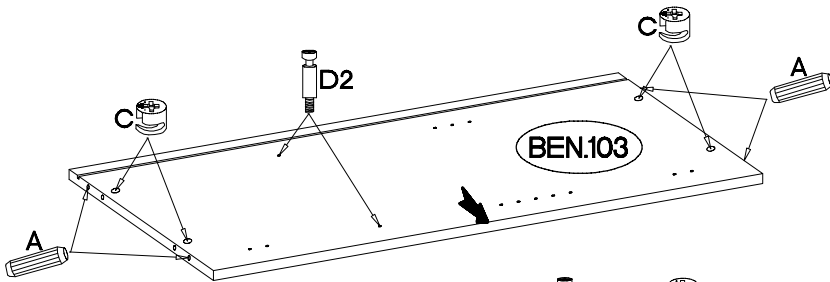
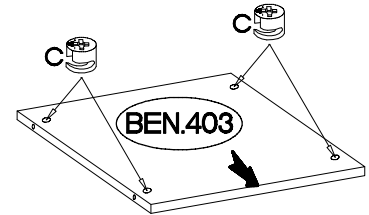
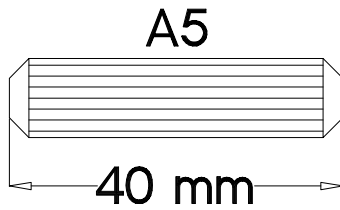
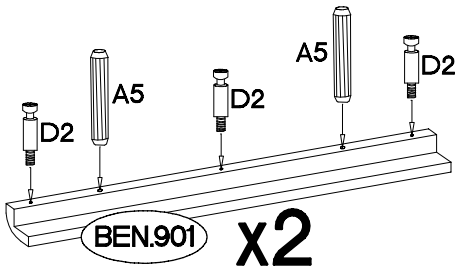
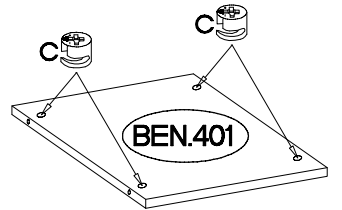
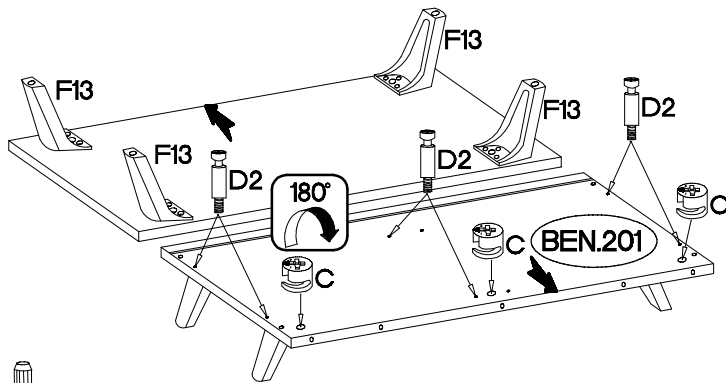
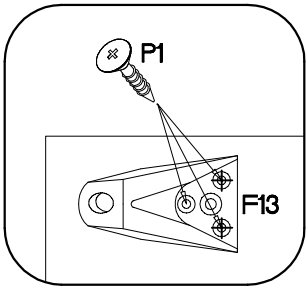
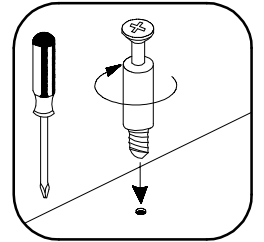
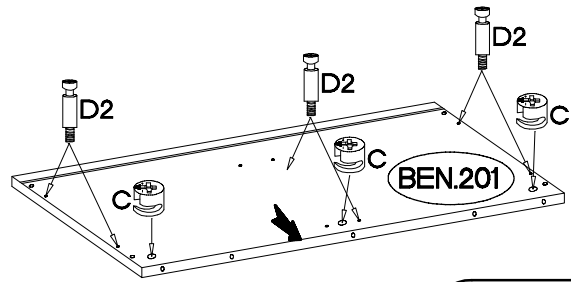
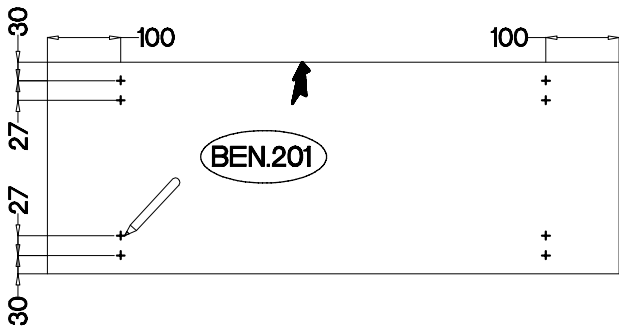
2



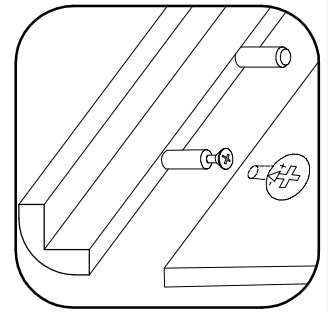
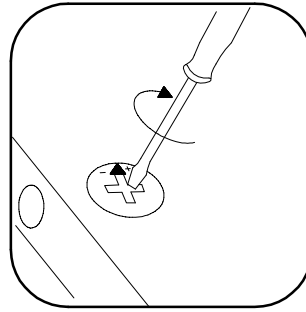
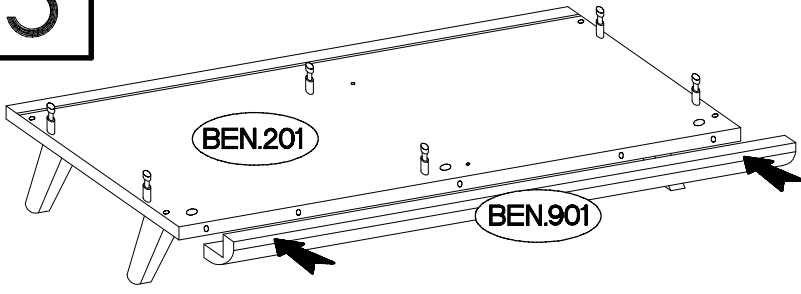
3



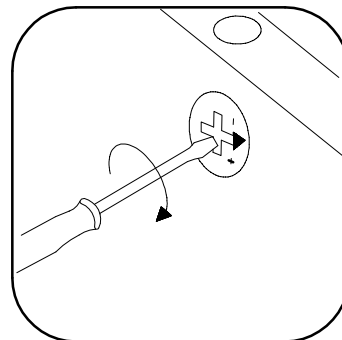
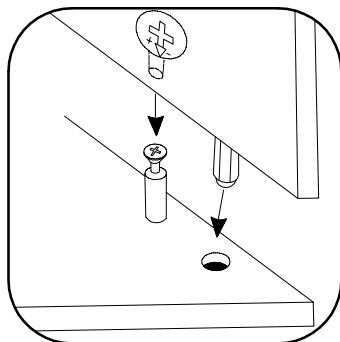
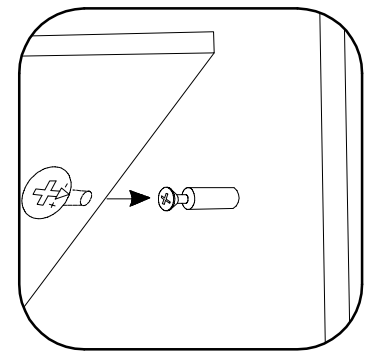
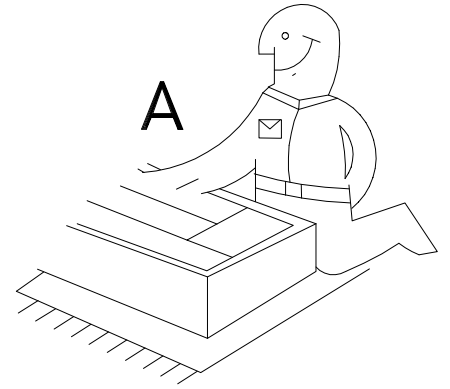
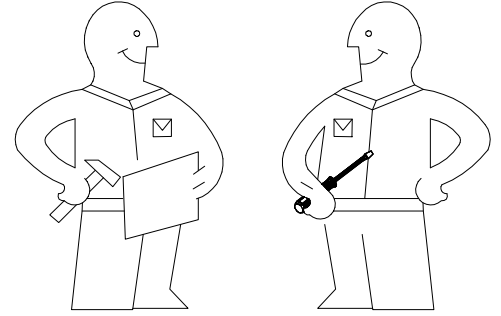
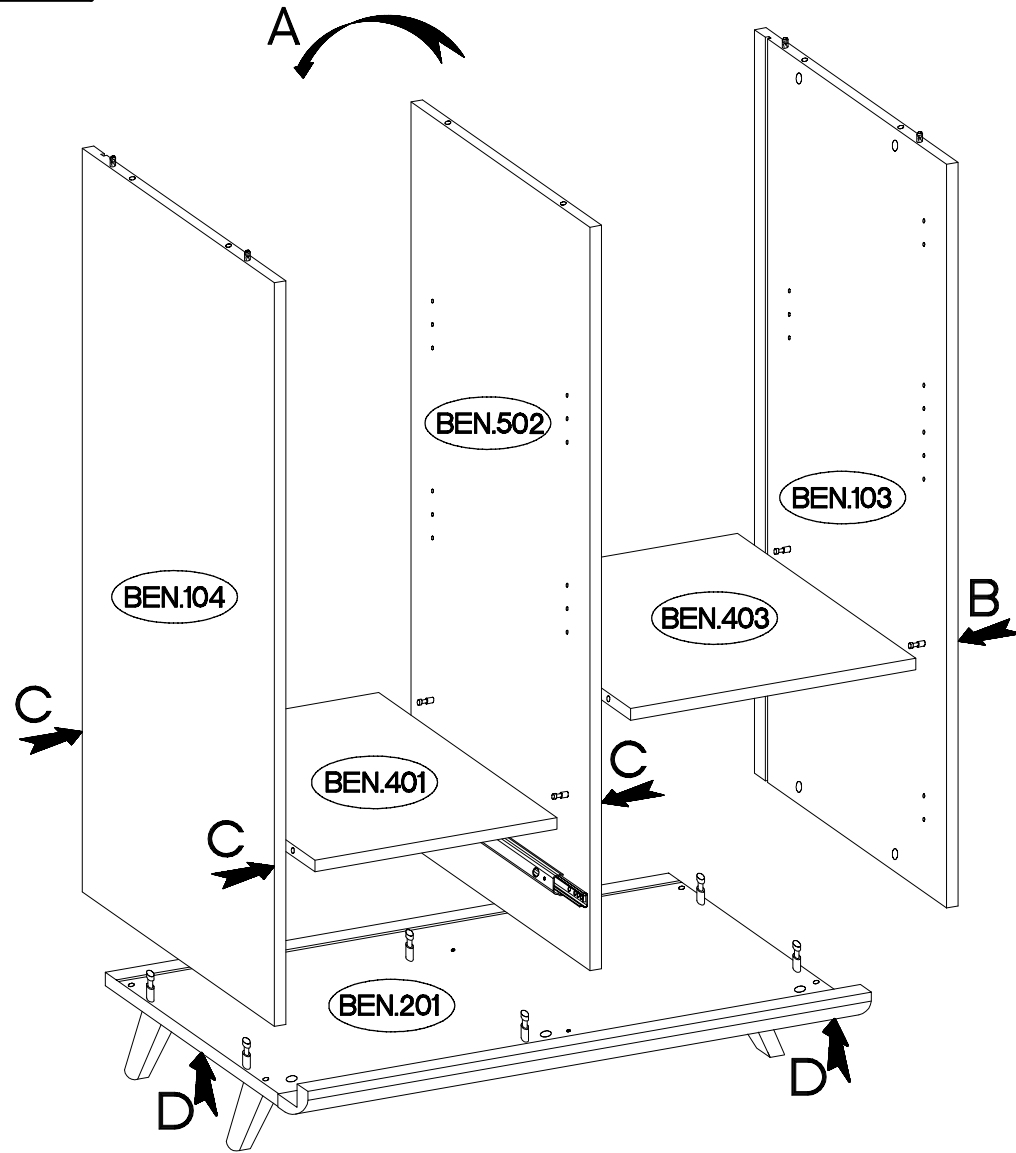
±15/12mm	L=20mm	±8x30mm		±4.0x16mm	27/214mm	±6,3x13mm	±8x40mm	30x30 mm	±4.0x16mm
C	D2	A	F13	P1	I3	M2	A5	T11	P1
26	26	8	4	12	1	4	4	3	3



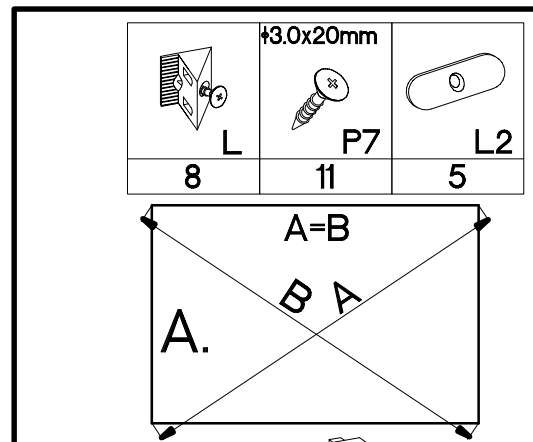
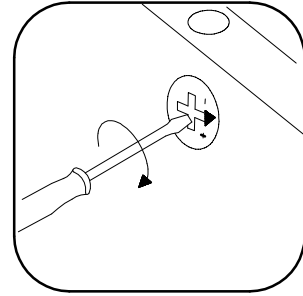
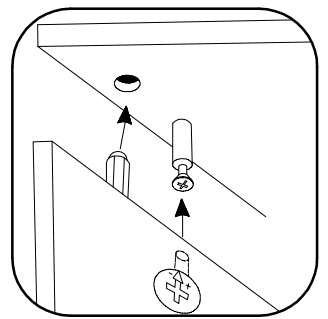
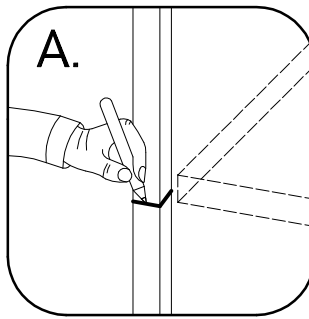
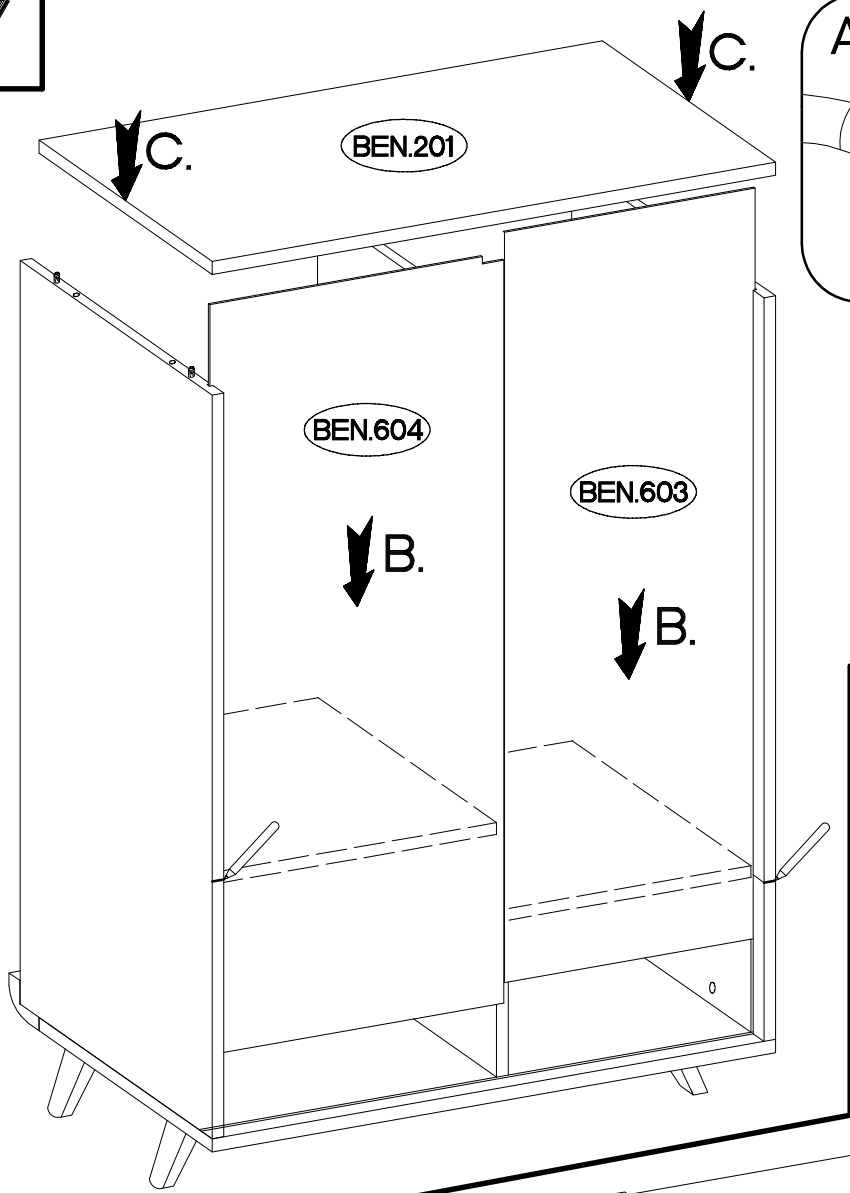
5



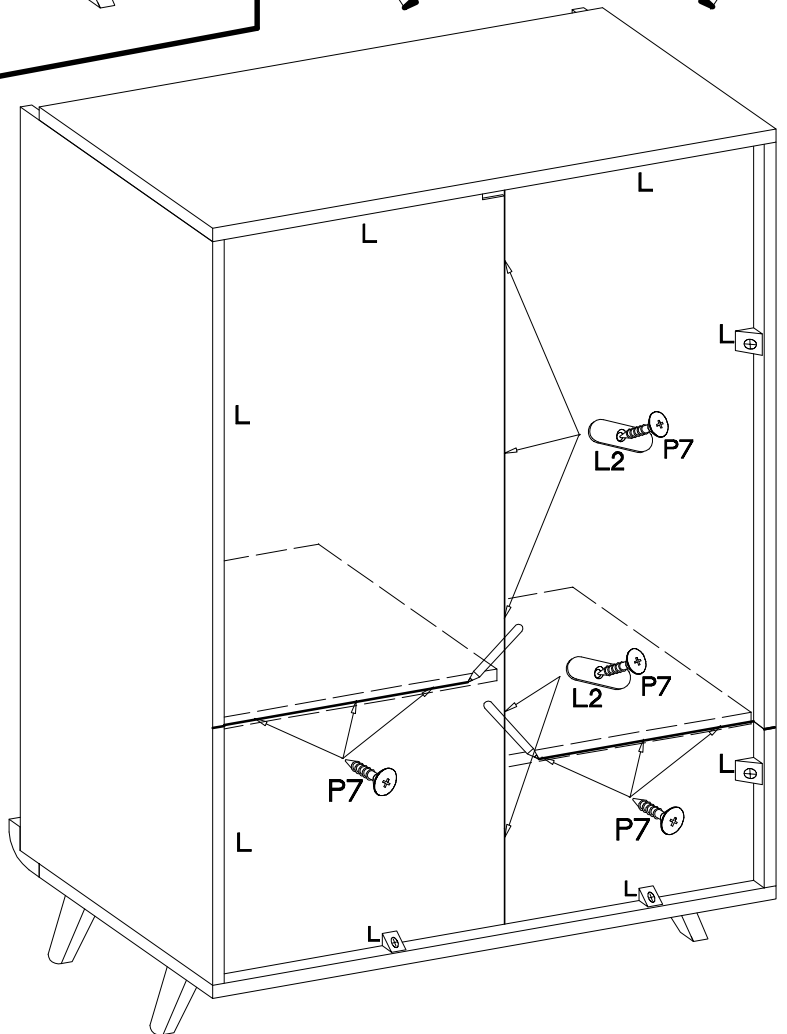
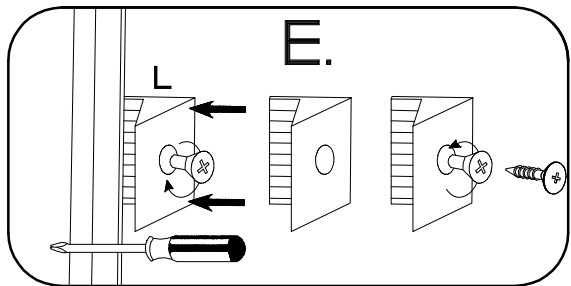
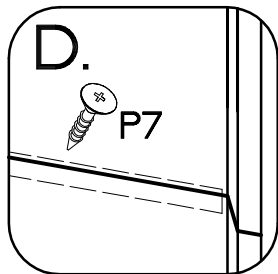
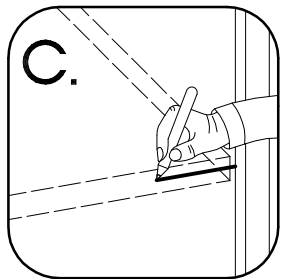
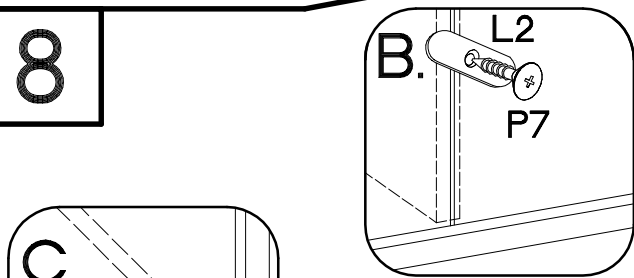
6



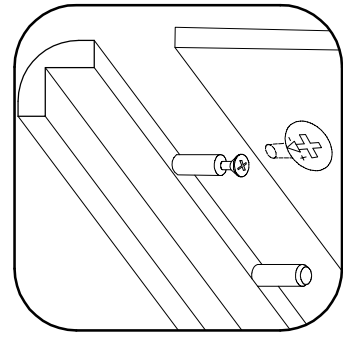
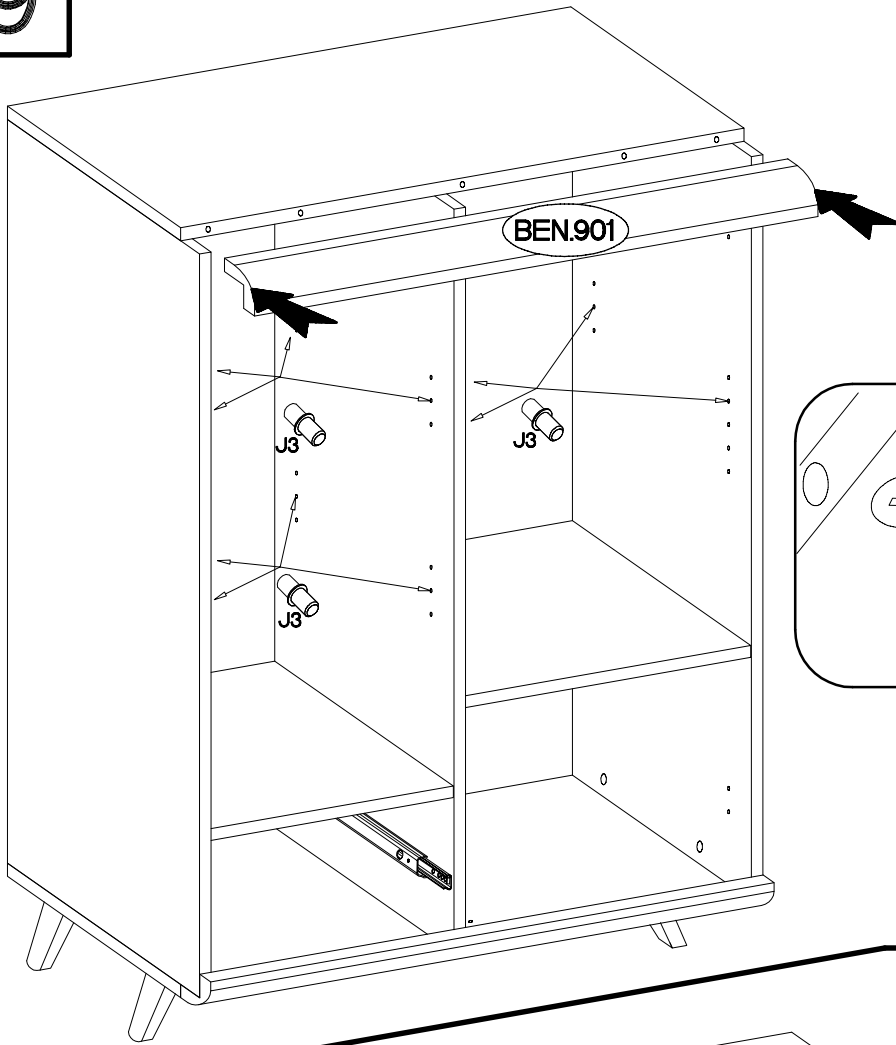
7



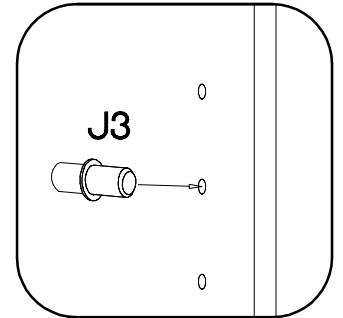
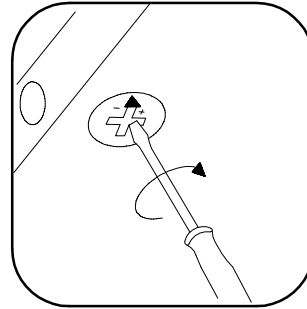
8



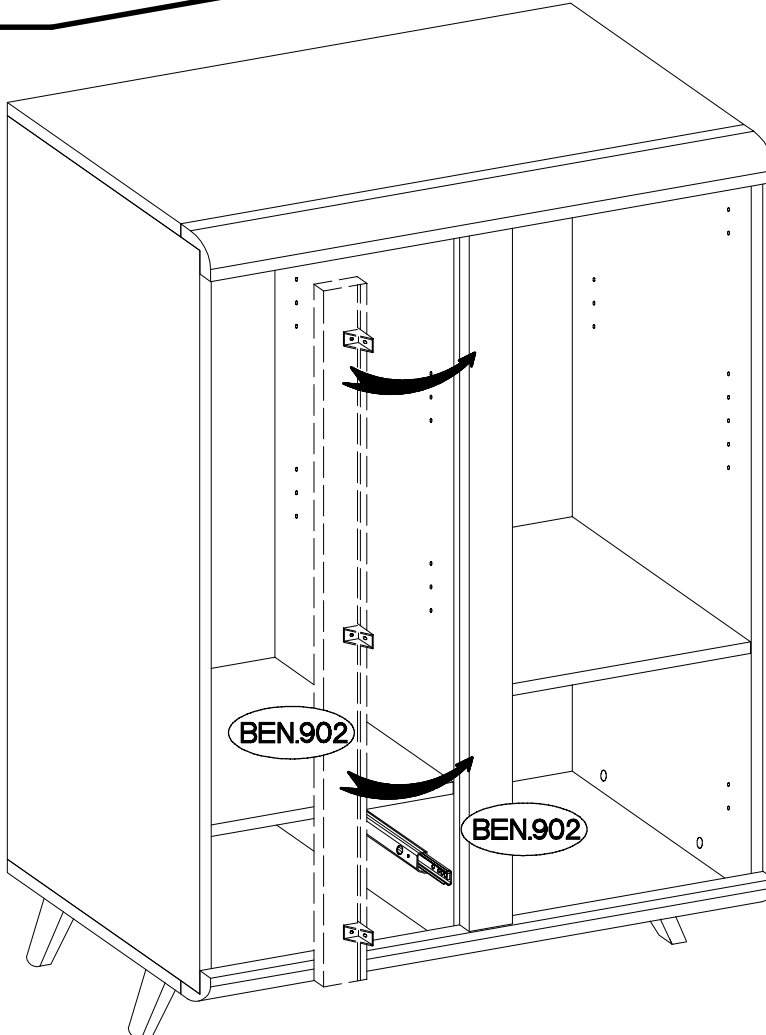
9



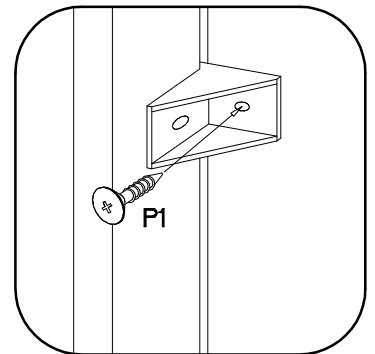
+5/16mm  
J3  
12



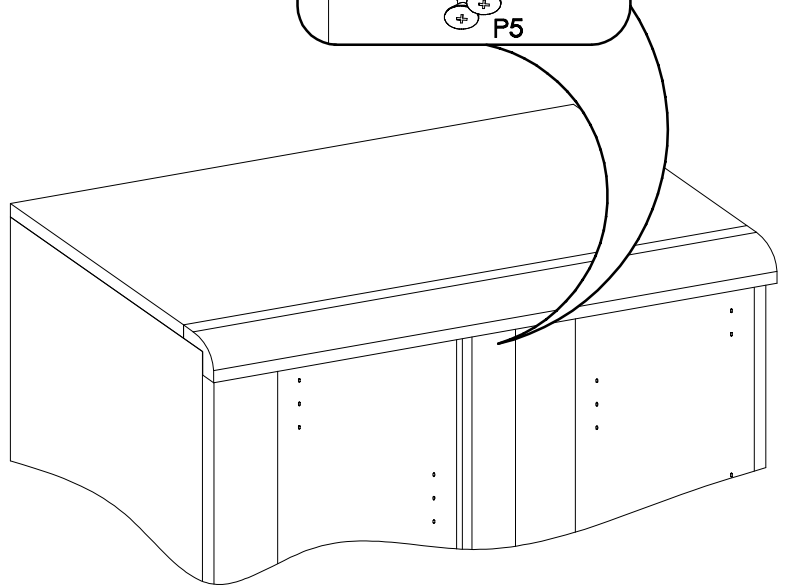
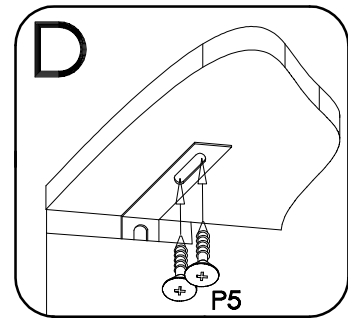
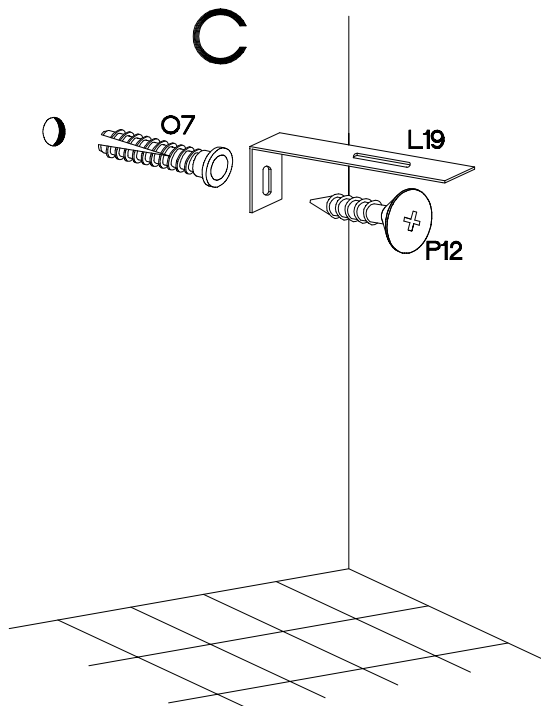
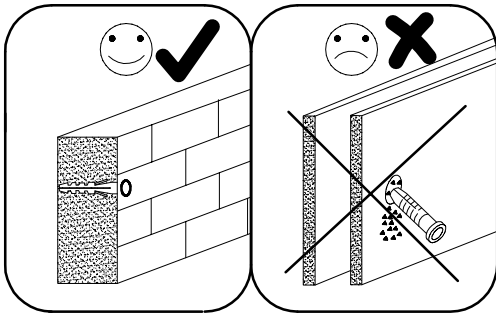
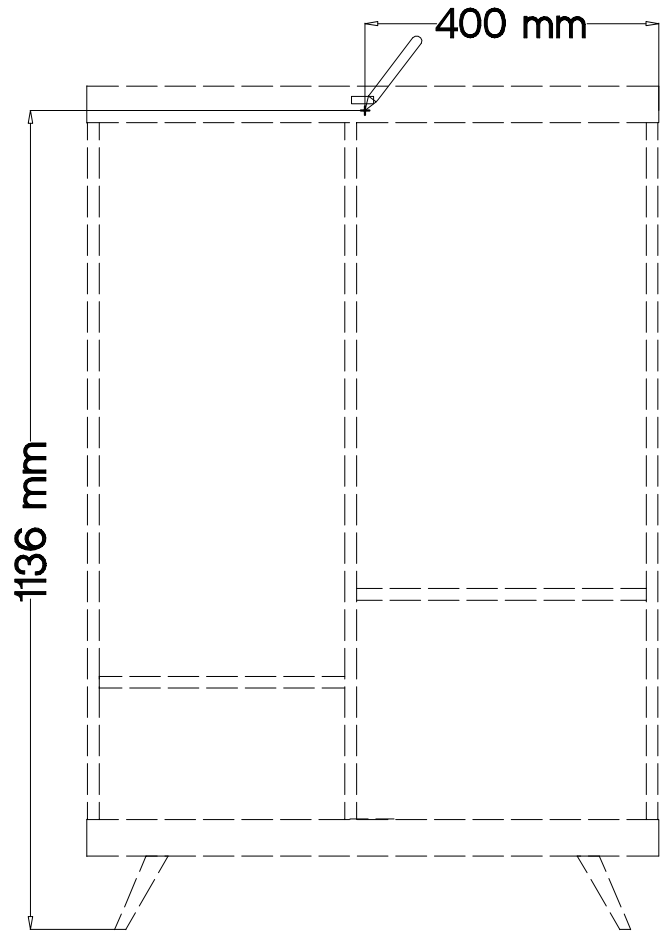
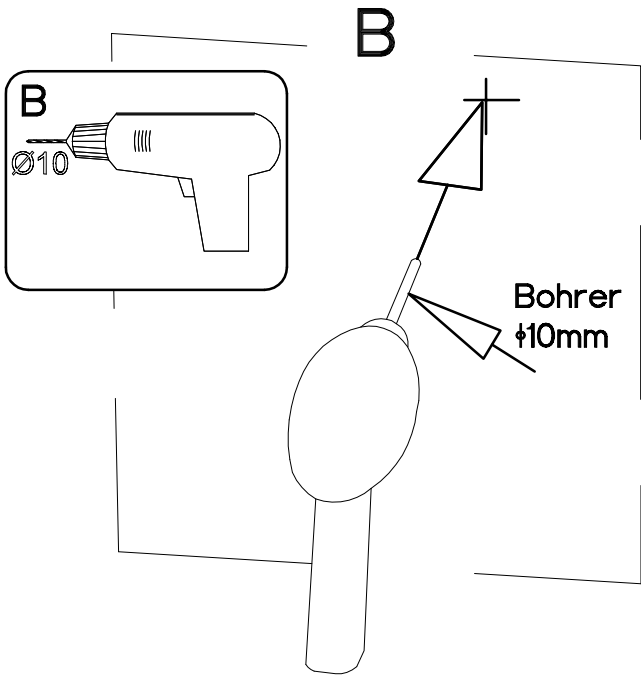
10



+4.0x16mm  
P1  
3






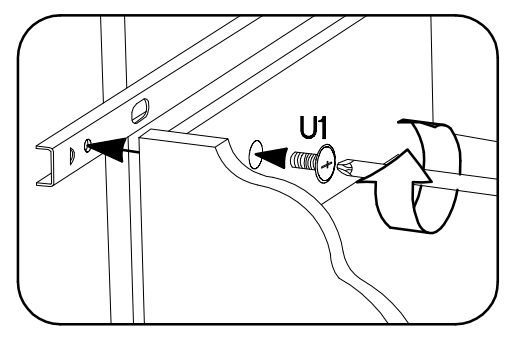
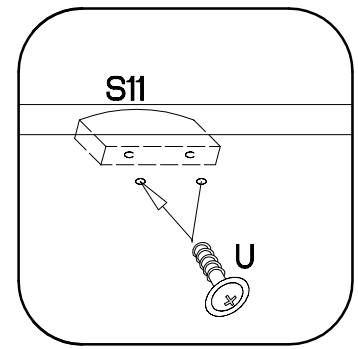
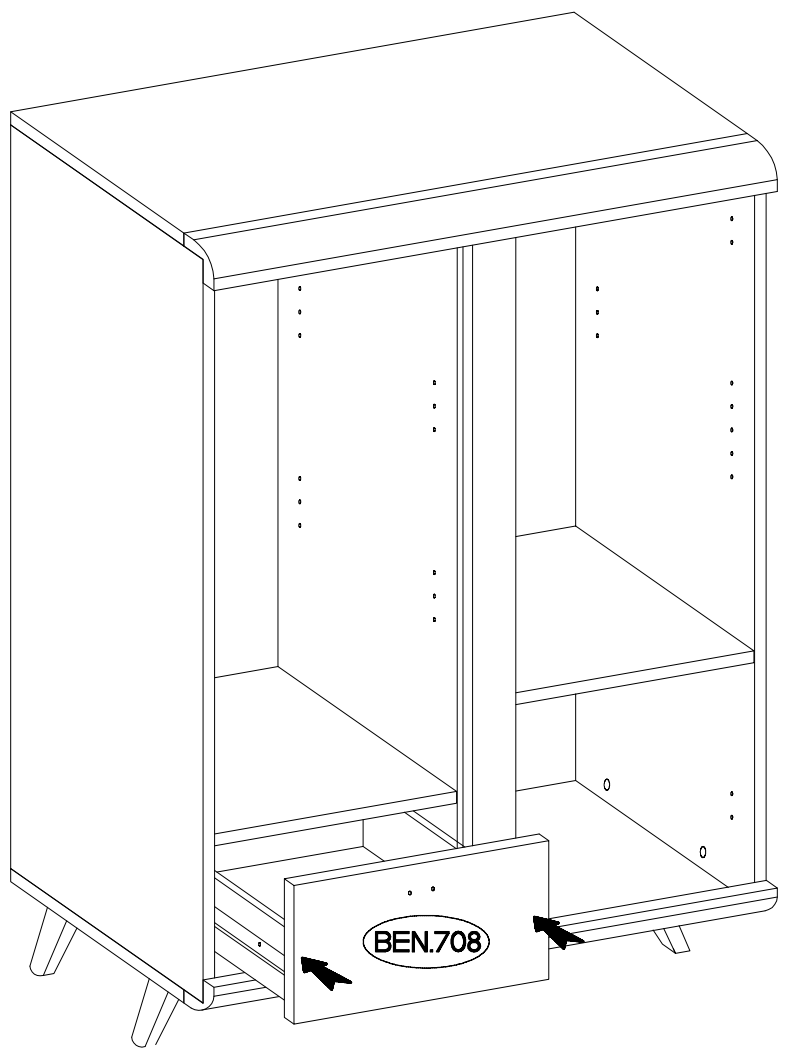
	†10x50mm	†5.0x60mm	†3.5x13mm
L19	O7	P12	P5
1	1	1	2



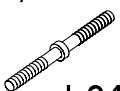


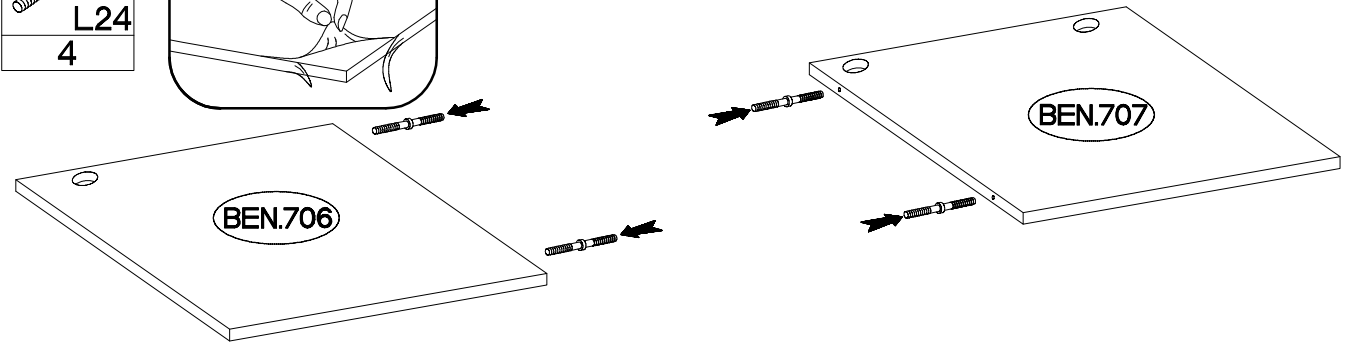
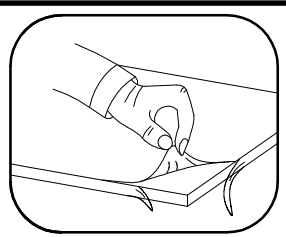
12

M4x22mm  U 2	 S11 1	M4x9mm  U1 2
---	--	---

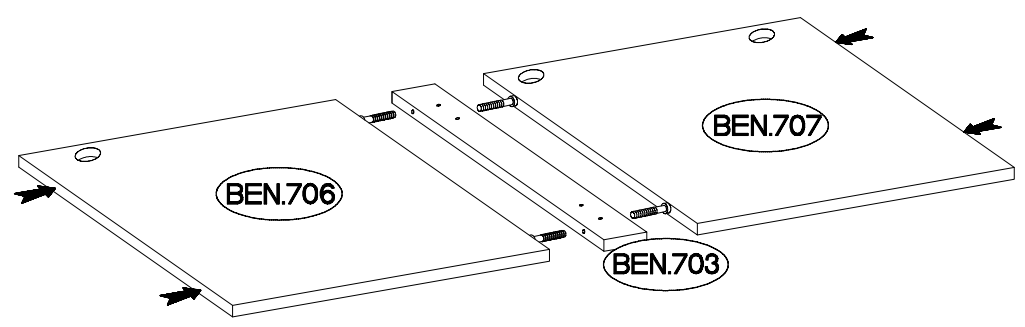


13

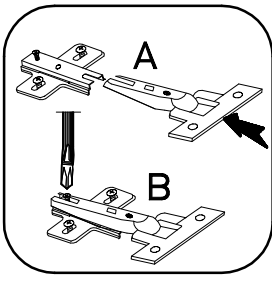
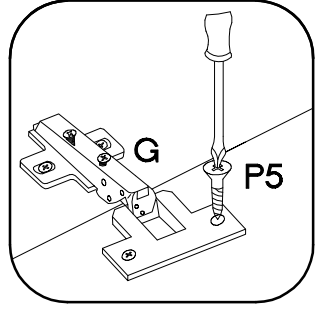
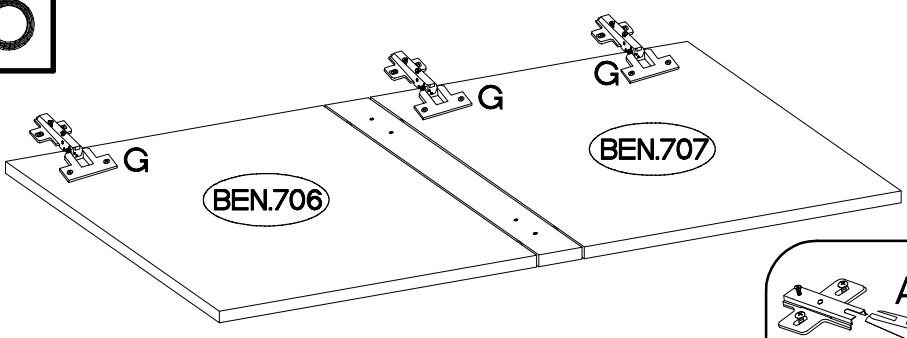
+5/69 mm  L24 4
---

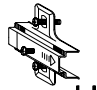
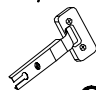



14

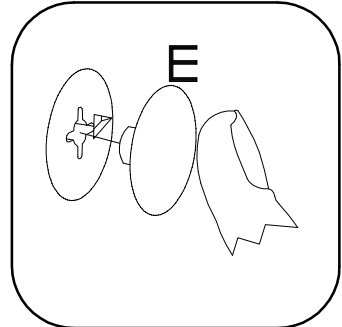
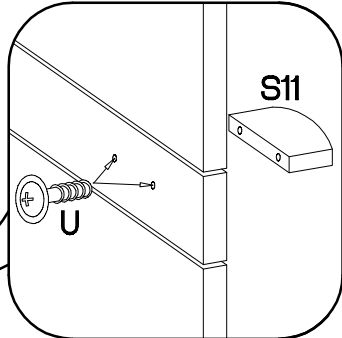
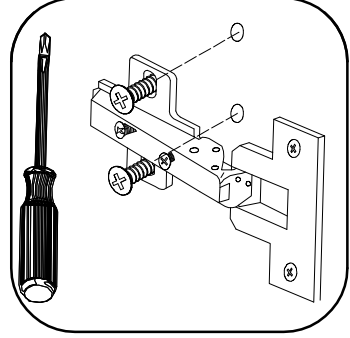
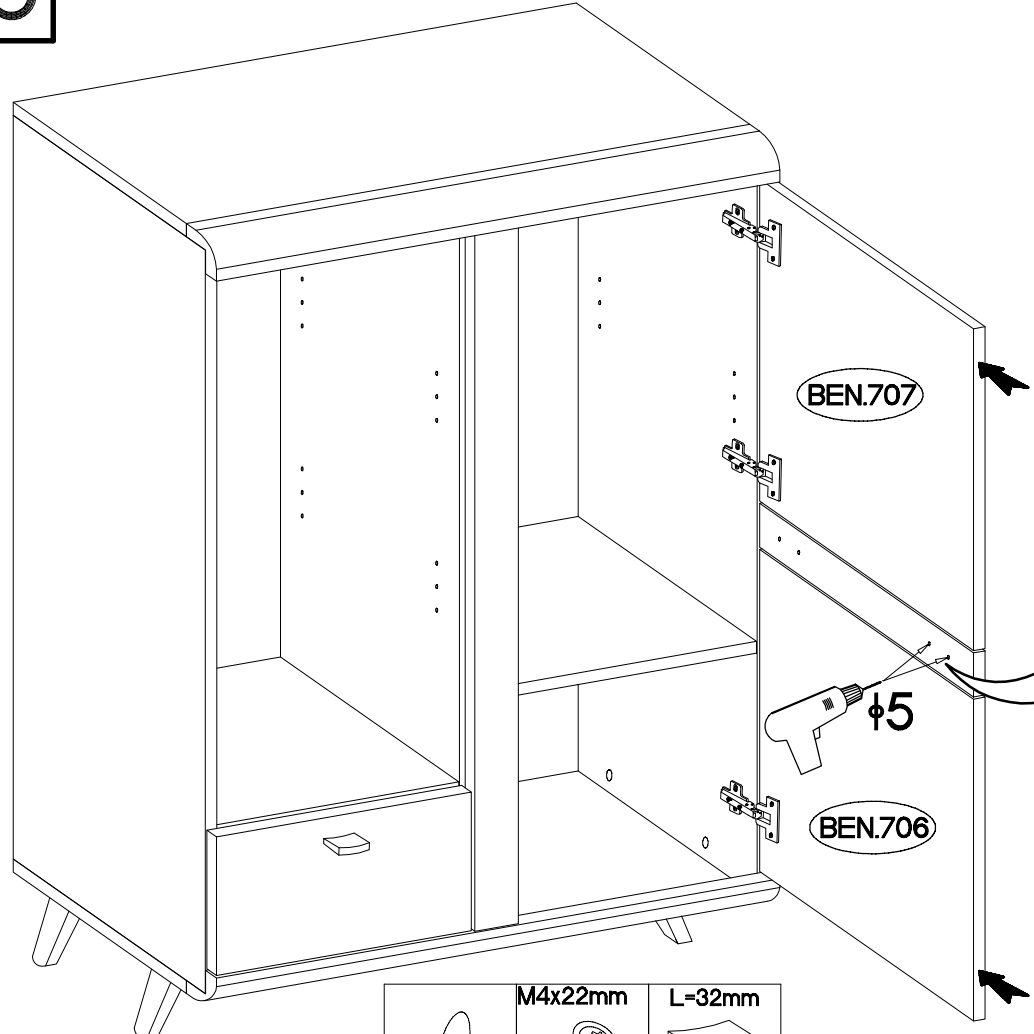





# 15



H=0  H	±35/0mm  G	±3.5x13mm  P5
3	3	6

# 16



 E	M4x22mm  U	L=32mm  S11
26	2	1

