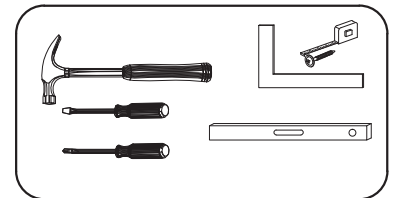
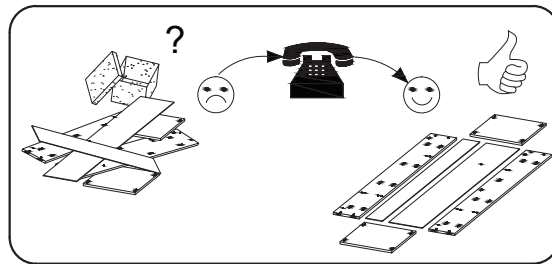
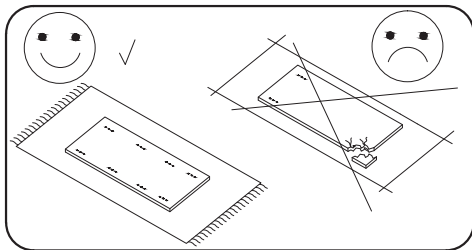
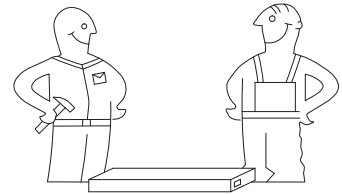
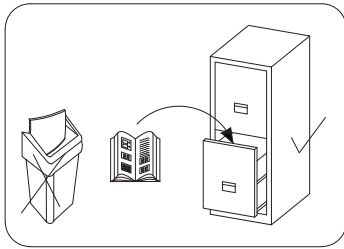


200



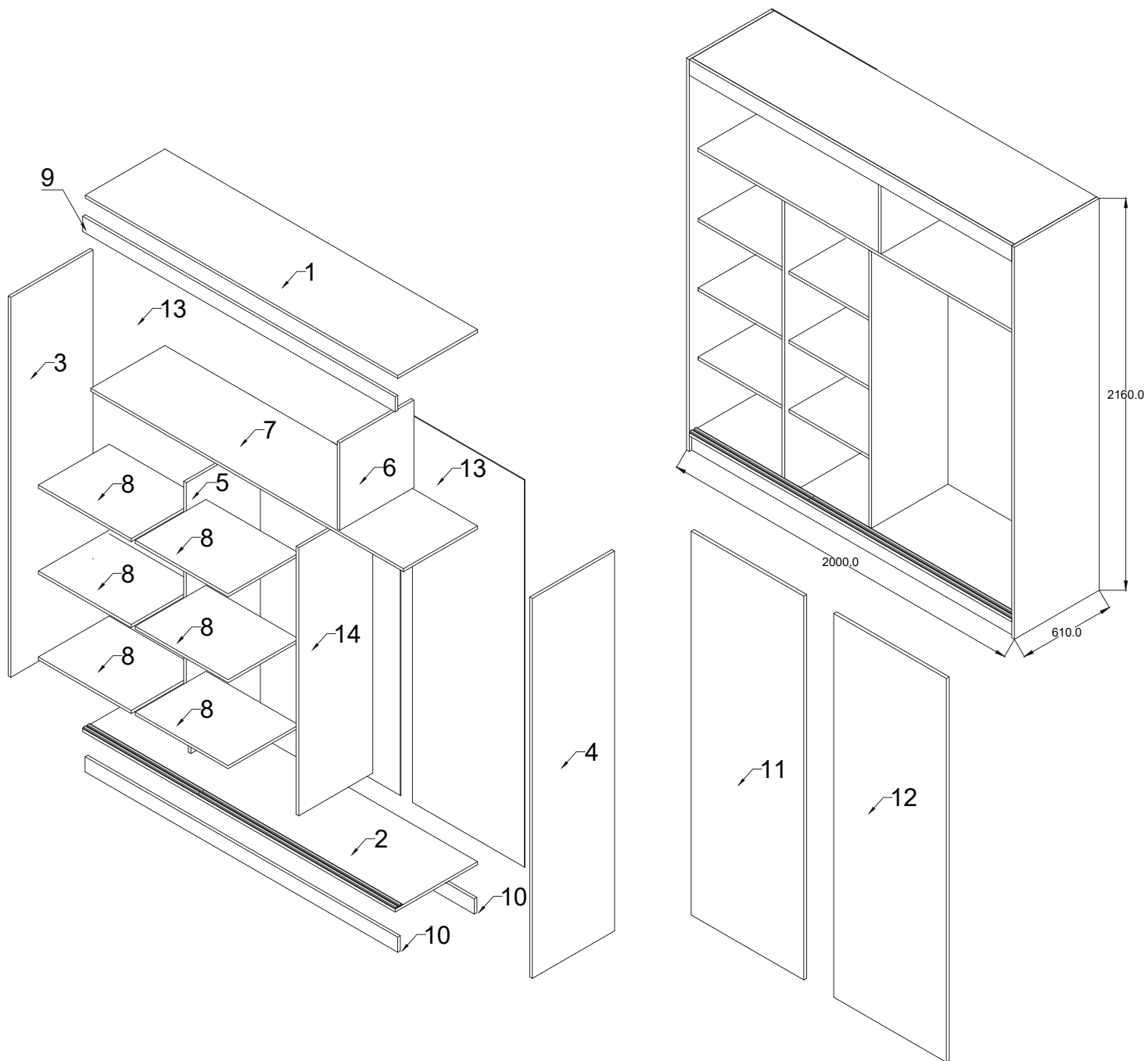
| Nr | X mm | Y mm | Z mm |
|----|------|------|------|
| 1 | 1968 | 593 | 16 |
| 2 | 1968 | 610 | 16 |
| 3 | 2160 | 610 | 16 |
| 4 | 2160 | 610 | 16 |
| 5 | 1676 | 470 | 16 |
| 6 | 336 | 470 | 16 |
| 7 | 1968 | 470 | 16 |
| 8 | 480 | 470 | 16 |
| 9 | 70 | 1968 | 16 |
| 10 | 100 | 1968 | 16 |

| Nr | X mm | Y mm | Z mm |
|----|------|------|------|
| 11 | 2015 | 993 | 16 |
| 12 | 2015 | 993 | 16 |
| 13 | 2035 | 995 | 3 |
| 14 | 426 | 100 | 16 |

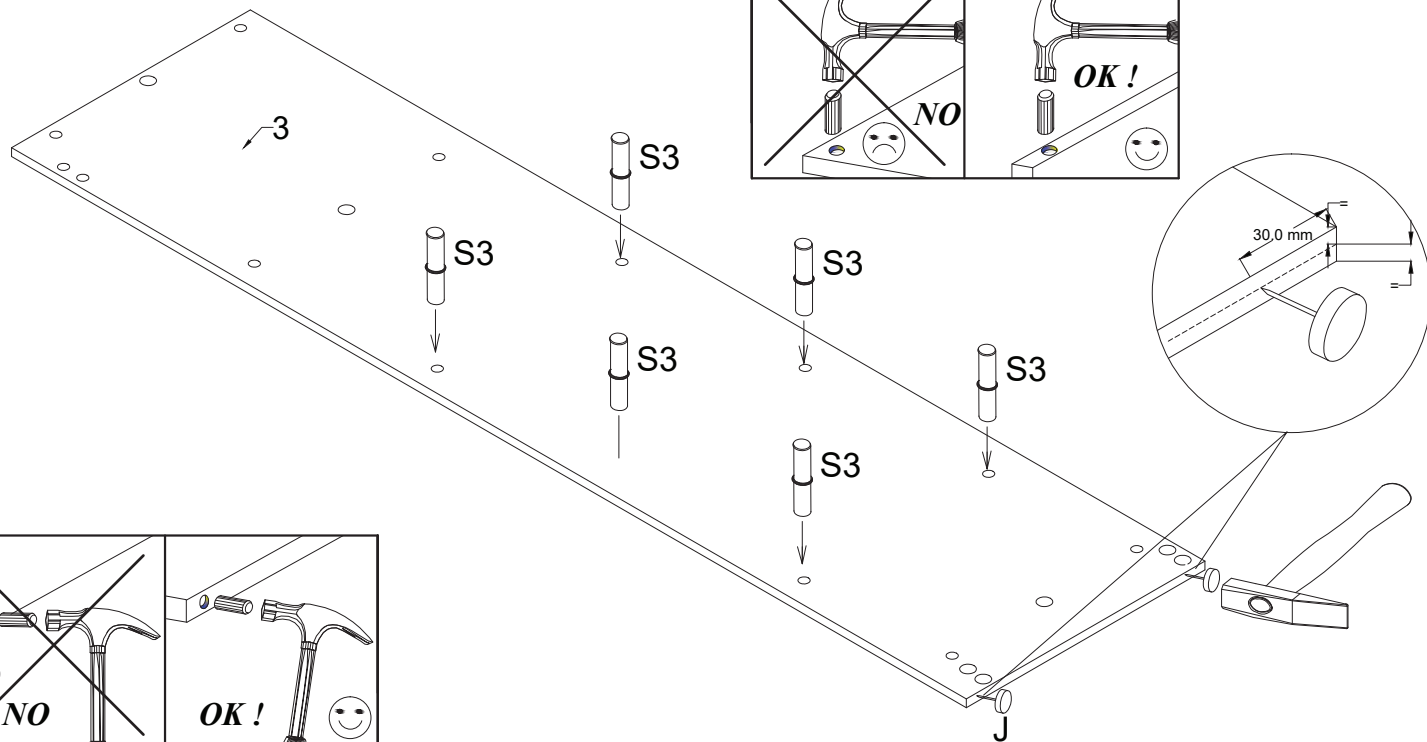
| | | | | | | | | | |
|-------------|----|----|------------|-------------|-------------|----|---|----|----|
| 8.0x35 D | S | A | B | 4.0x16 H | X1 | N2 | M | M' | S3 |
| 30 | 24 | 4 | 4 | 32 | 24 | 2 | 4 | 4 | 24 |
| X | U | S1 | L-971 R | L-1966 F | 3.0x13 Q | J | | | |
| 4 | 1 | 60 | 1 | 4 | 20 | 10 | | | |

| | |
|---|-------------|
| C | 4.0x30 G |
| 2 | 4 |

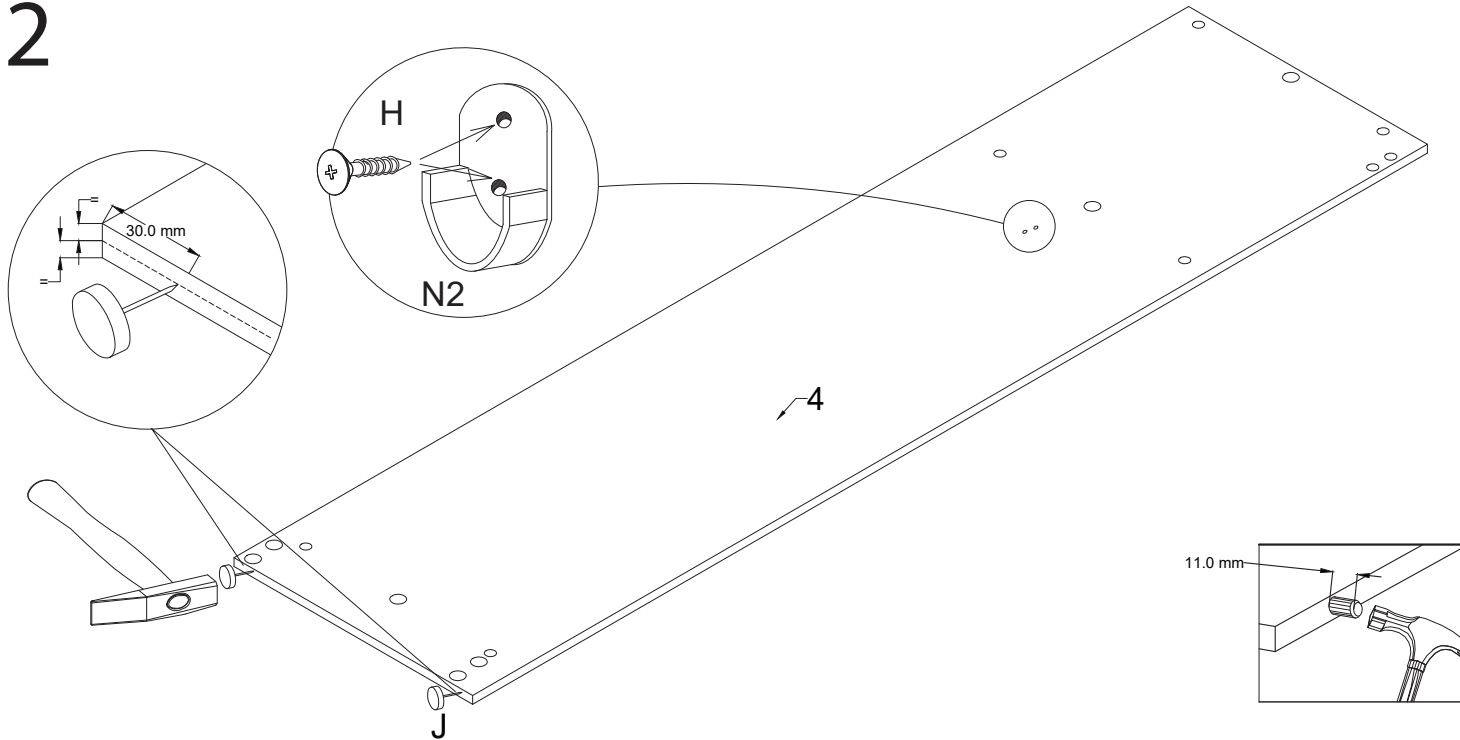




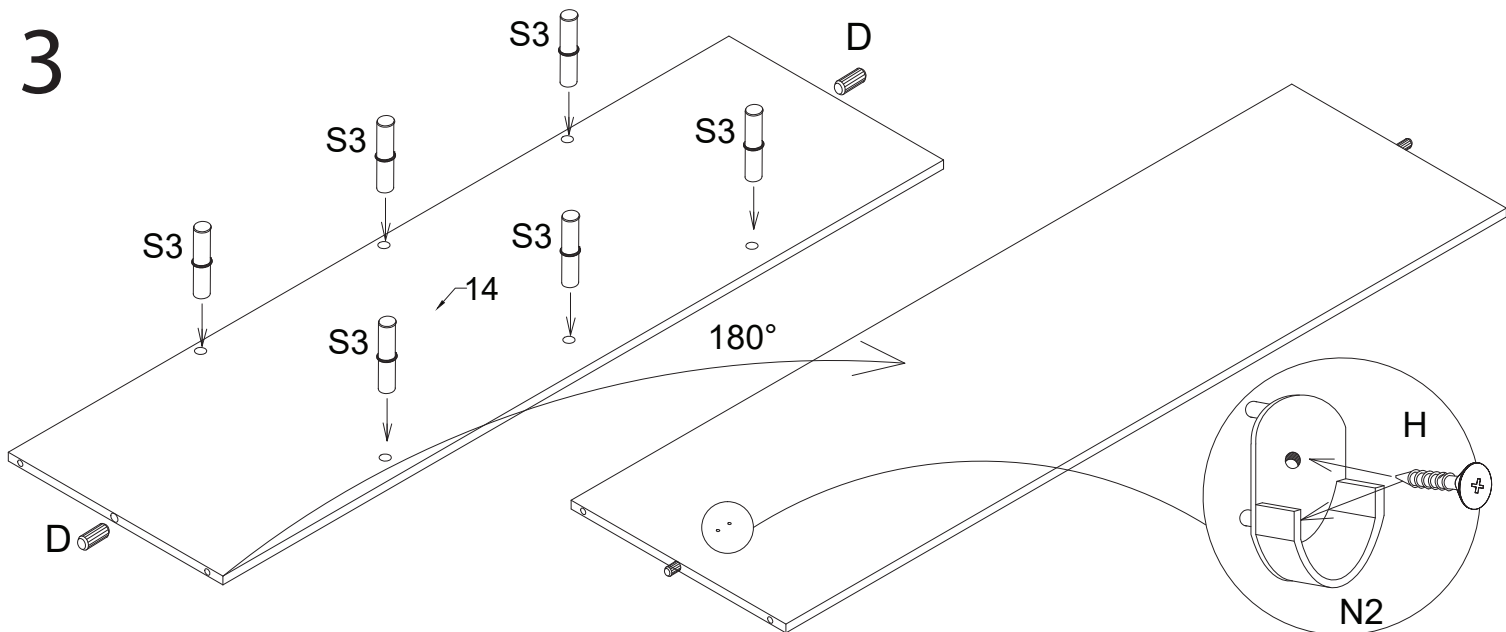
1



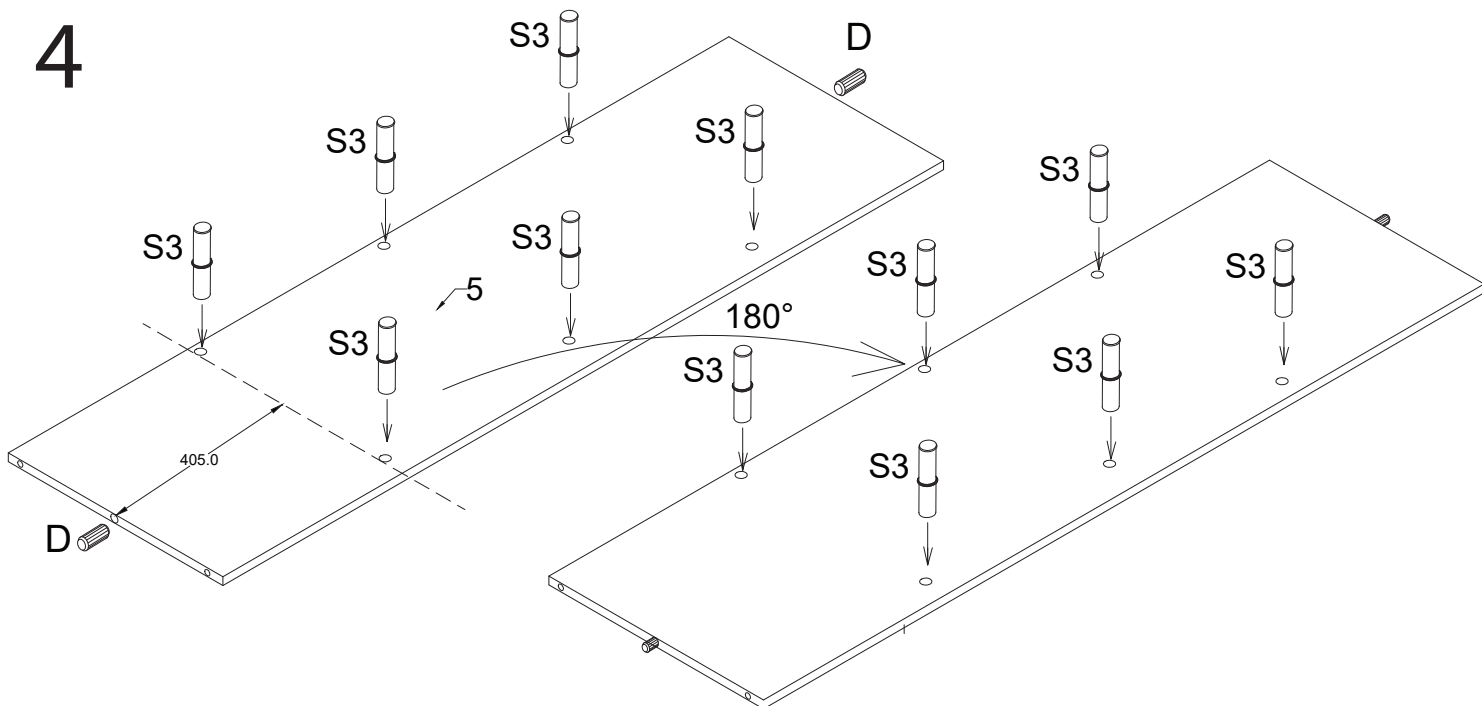
2

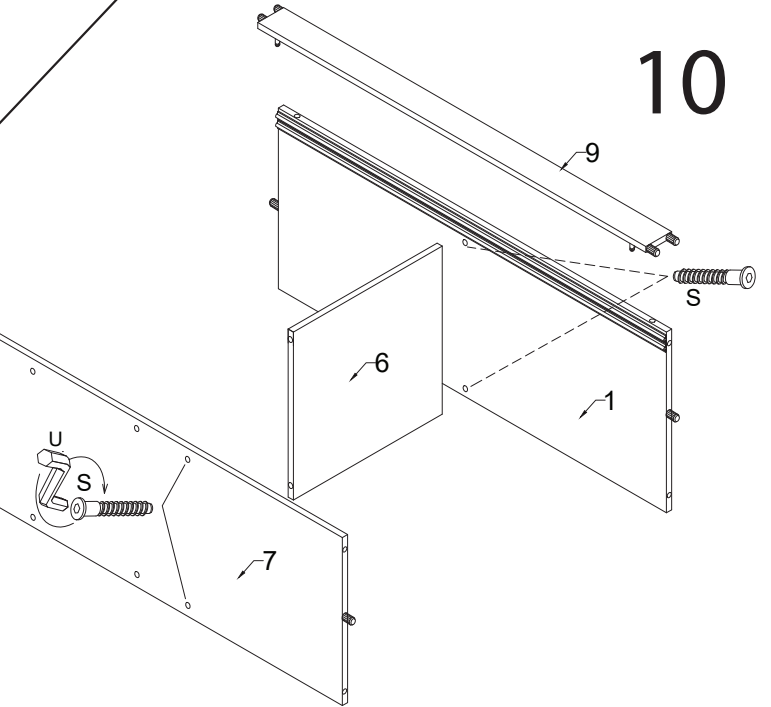
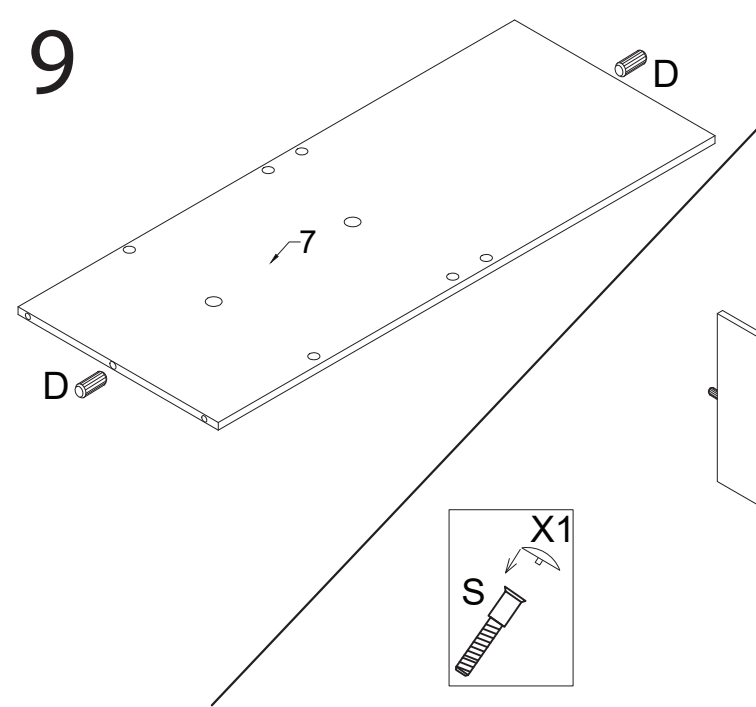
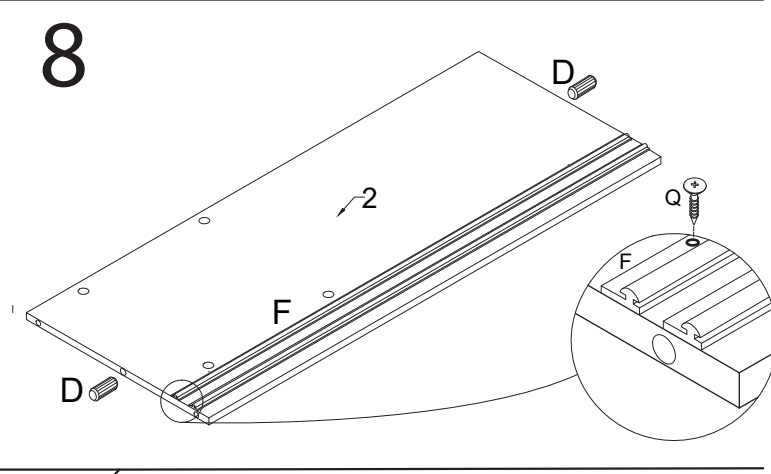
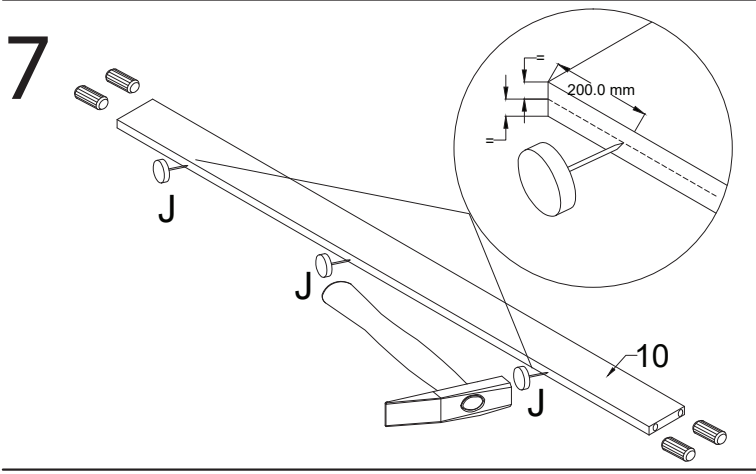
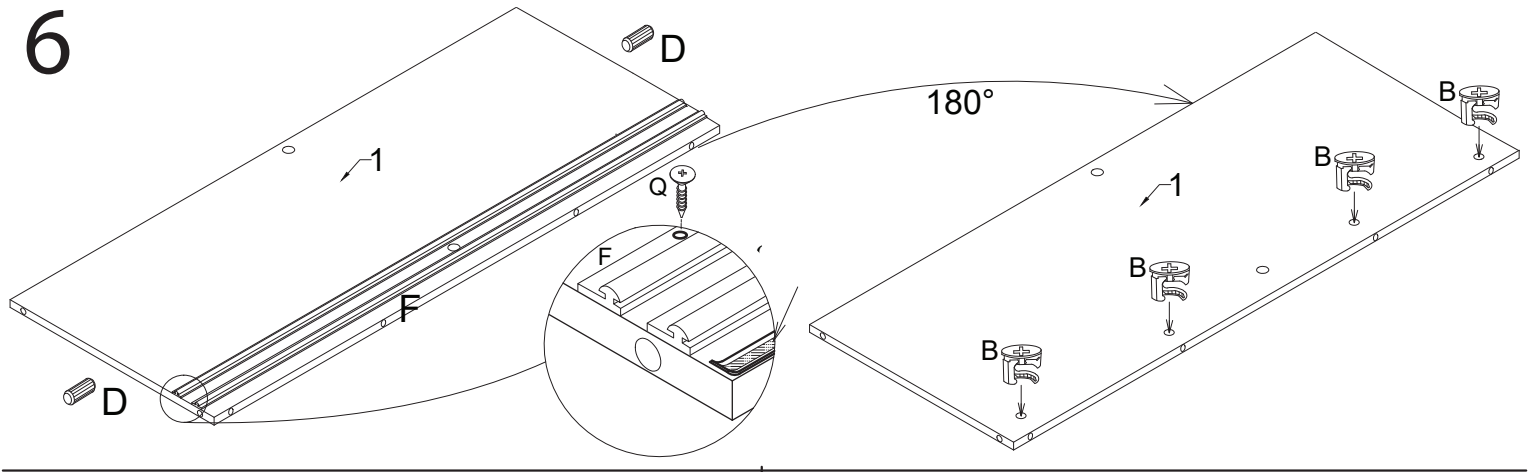
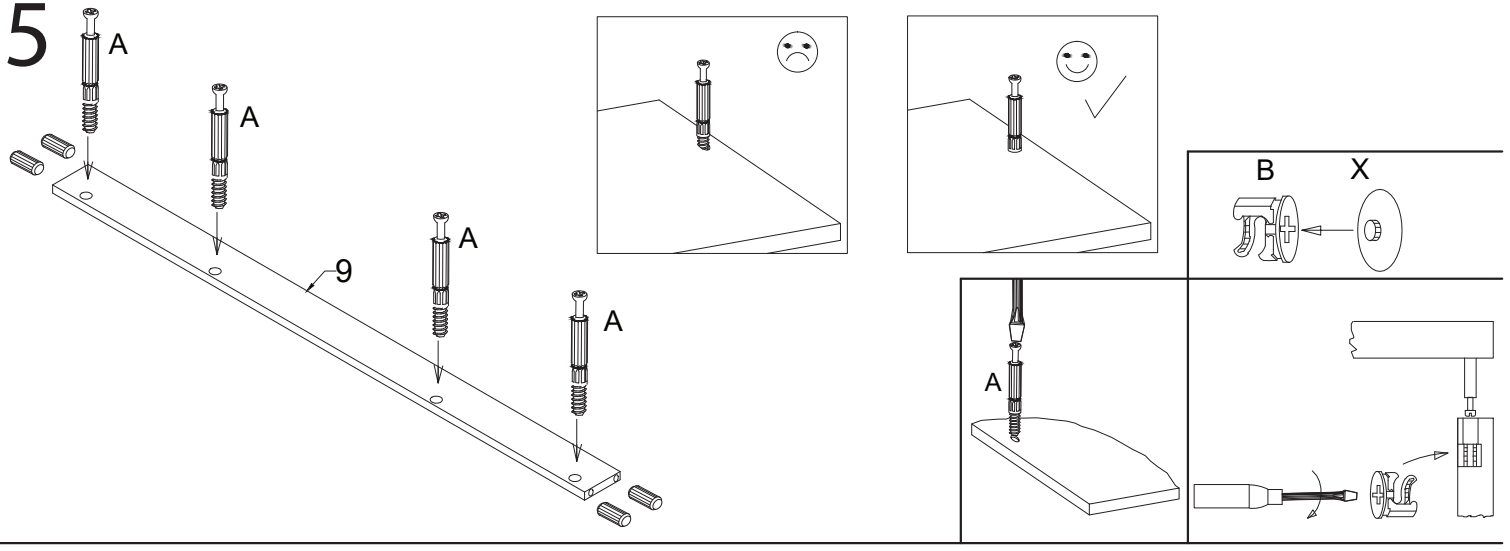


3

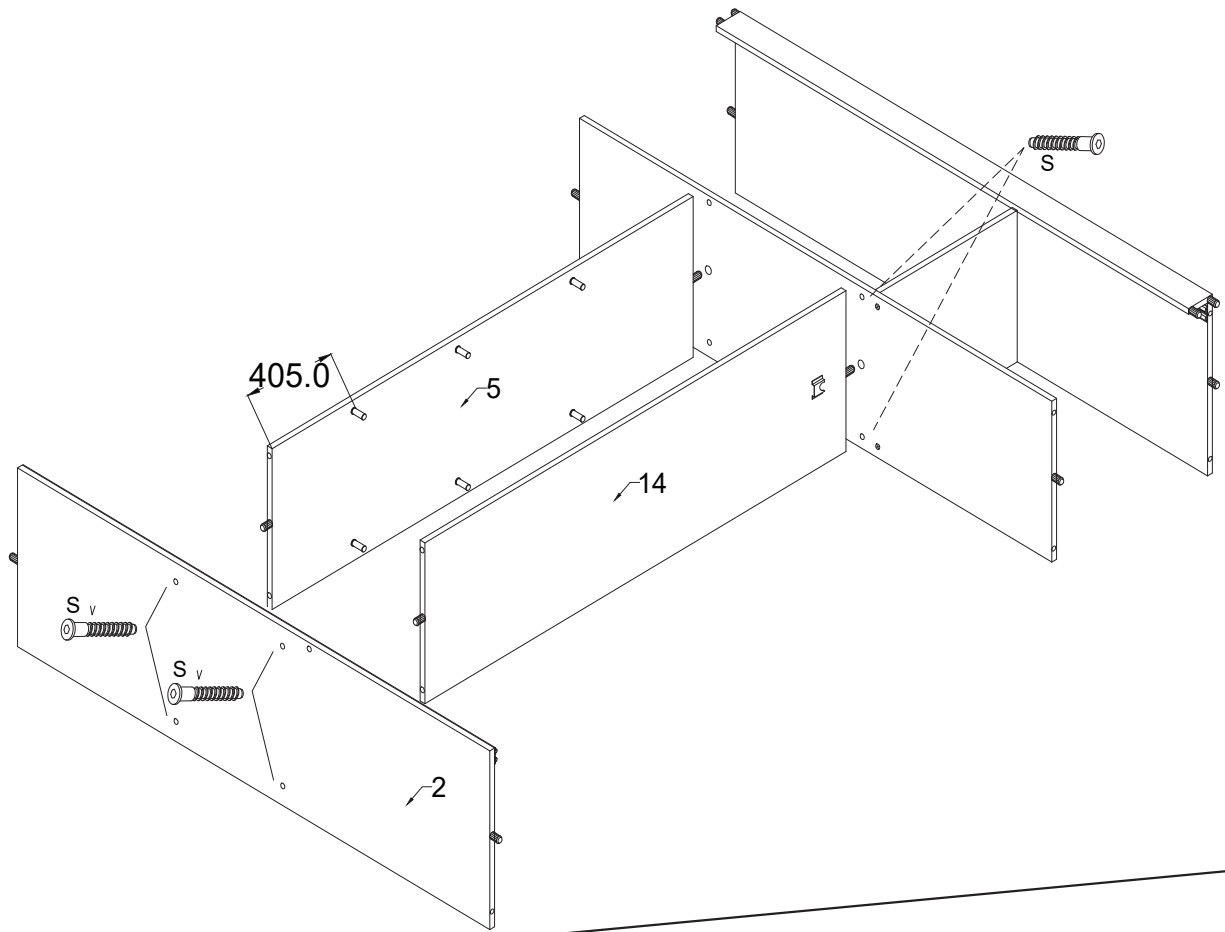


4

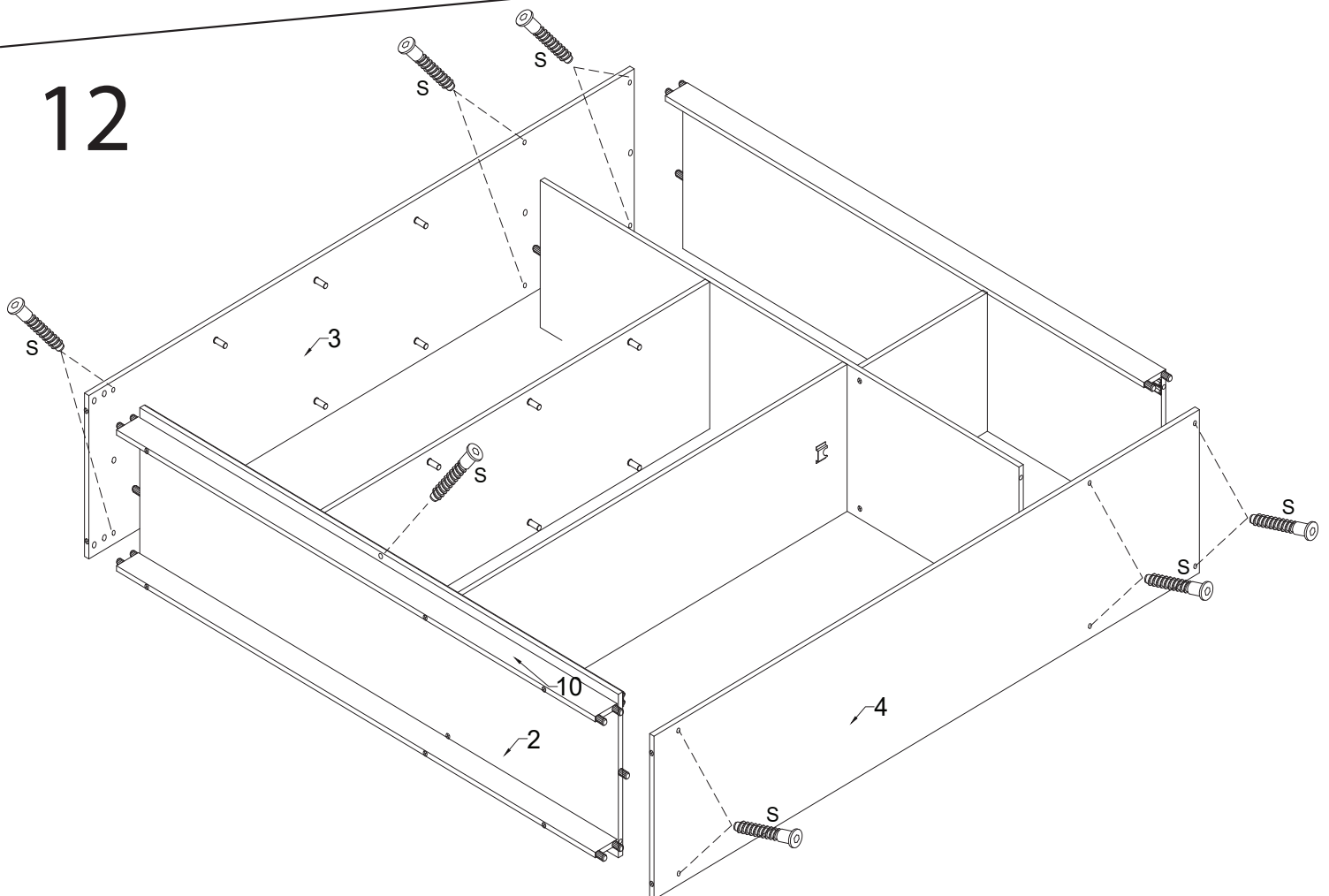




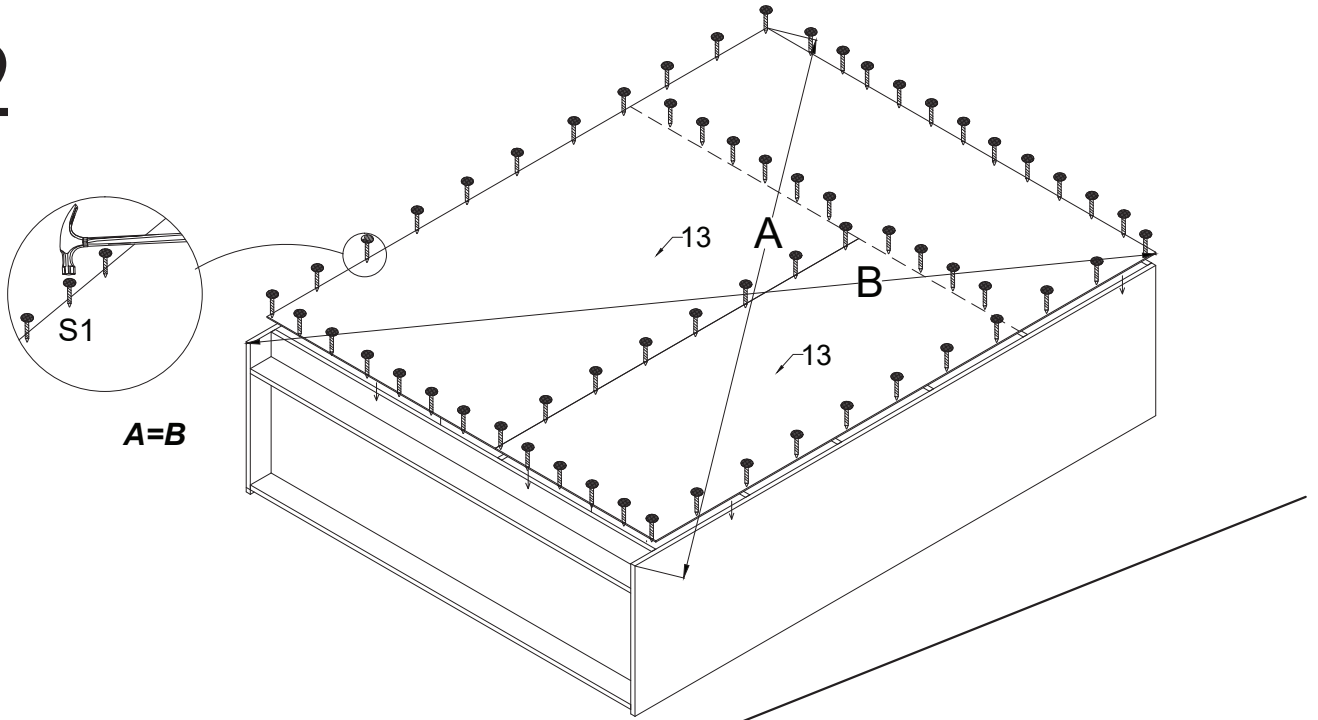
11



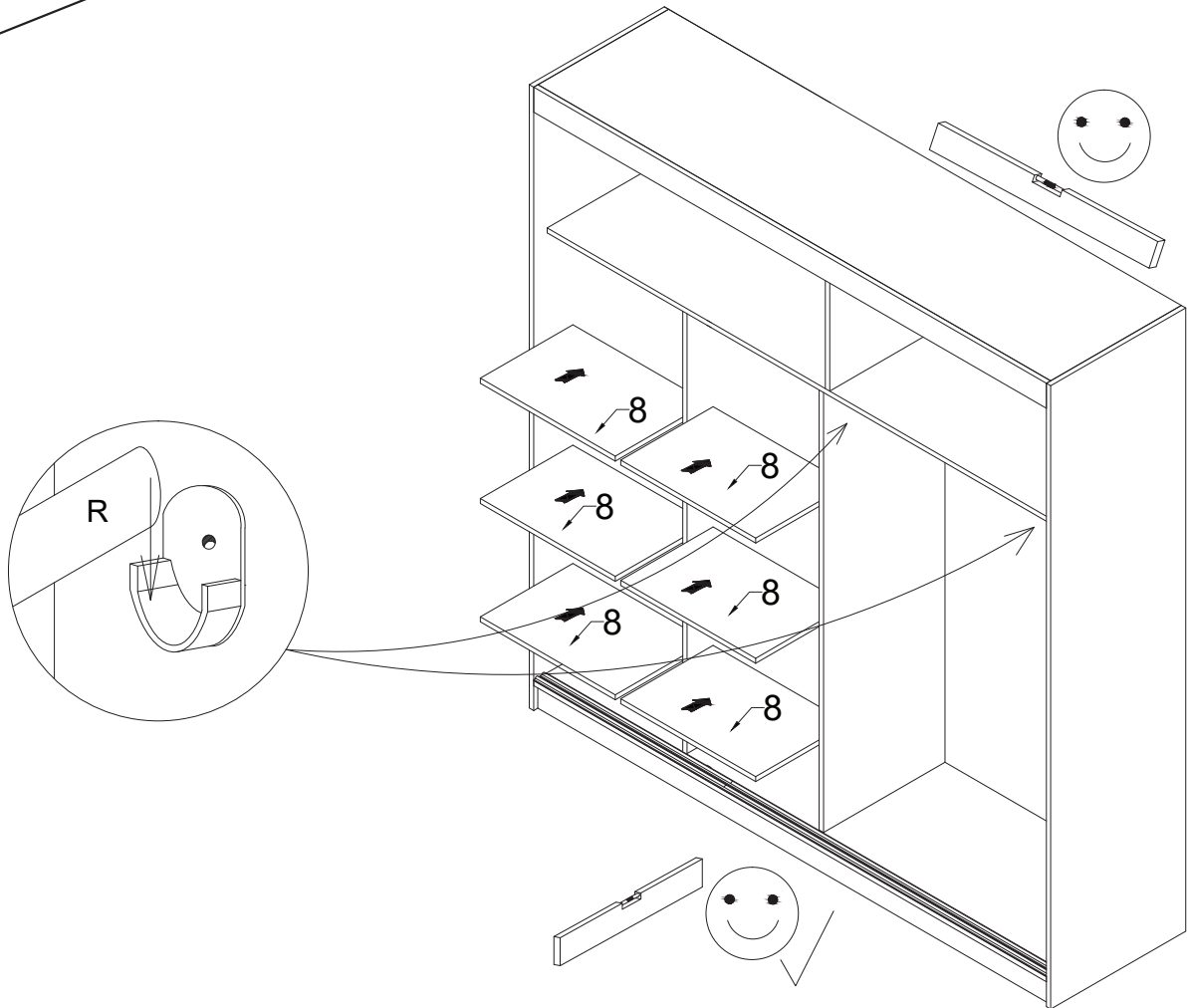
12



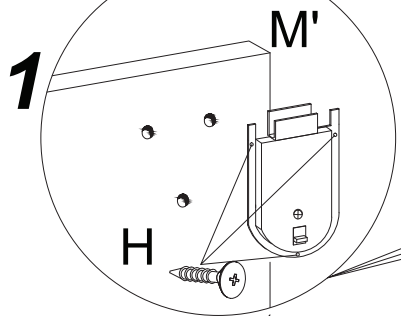
12



13

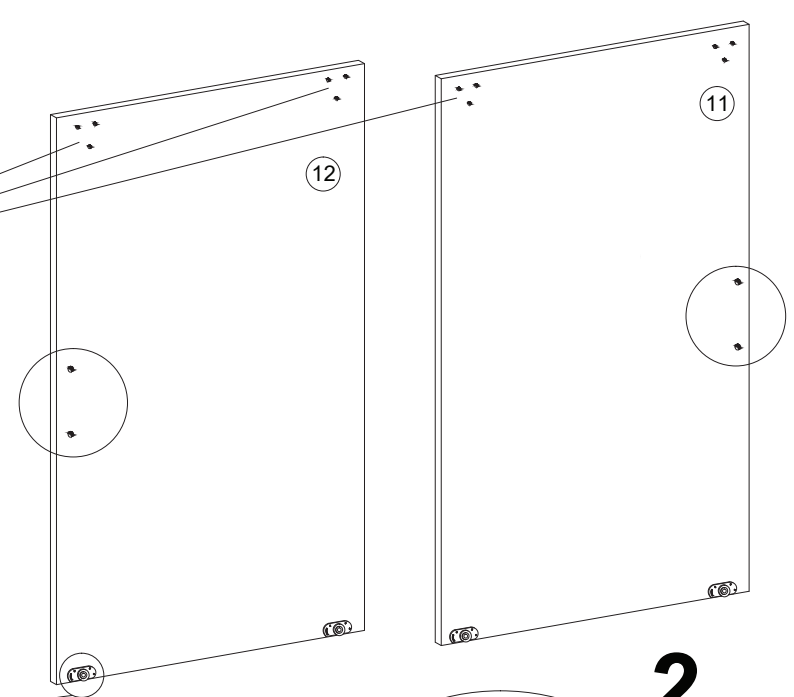
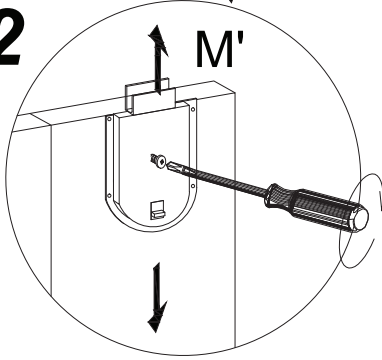


14



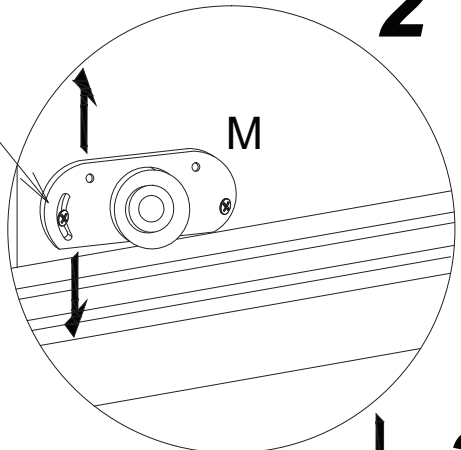
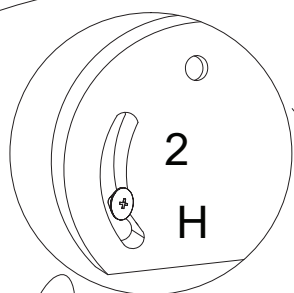
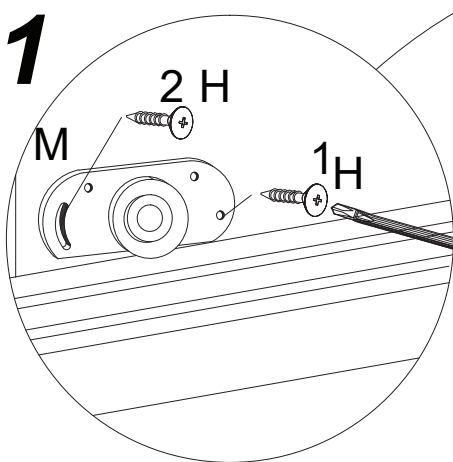
1

2



2

1



3

