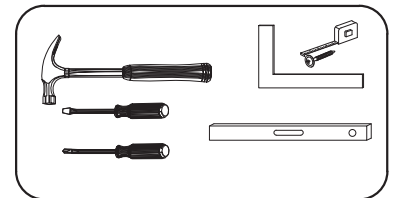
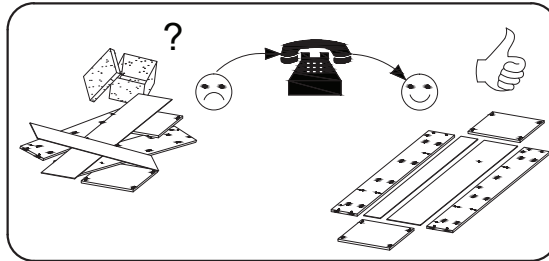
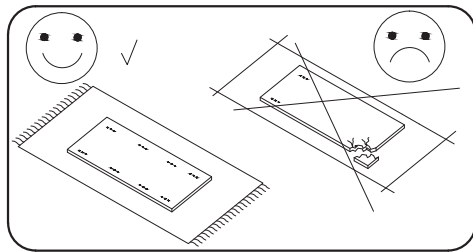
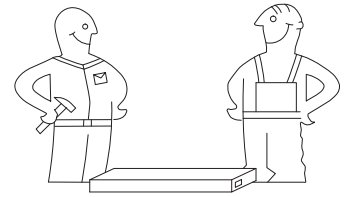
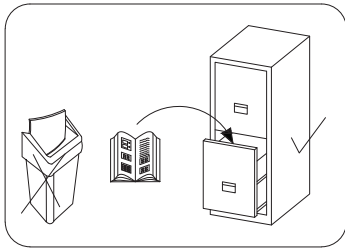


180

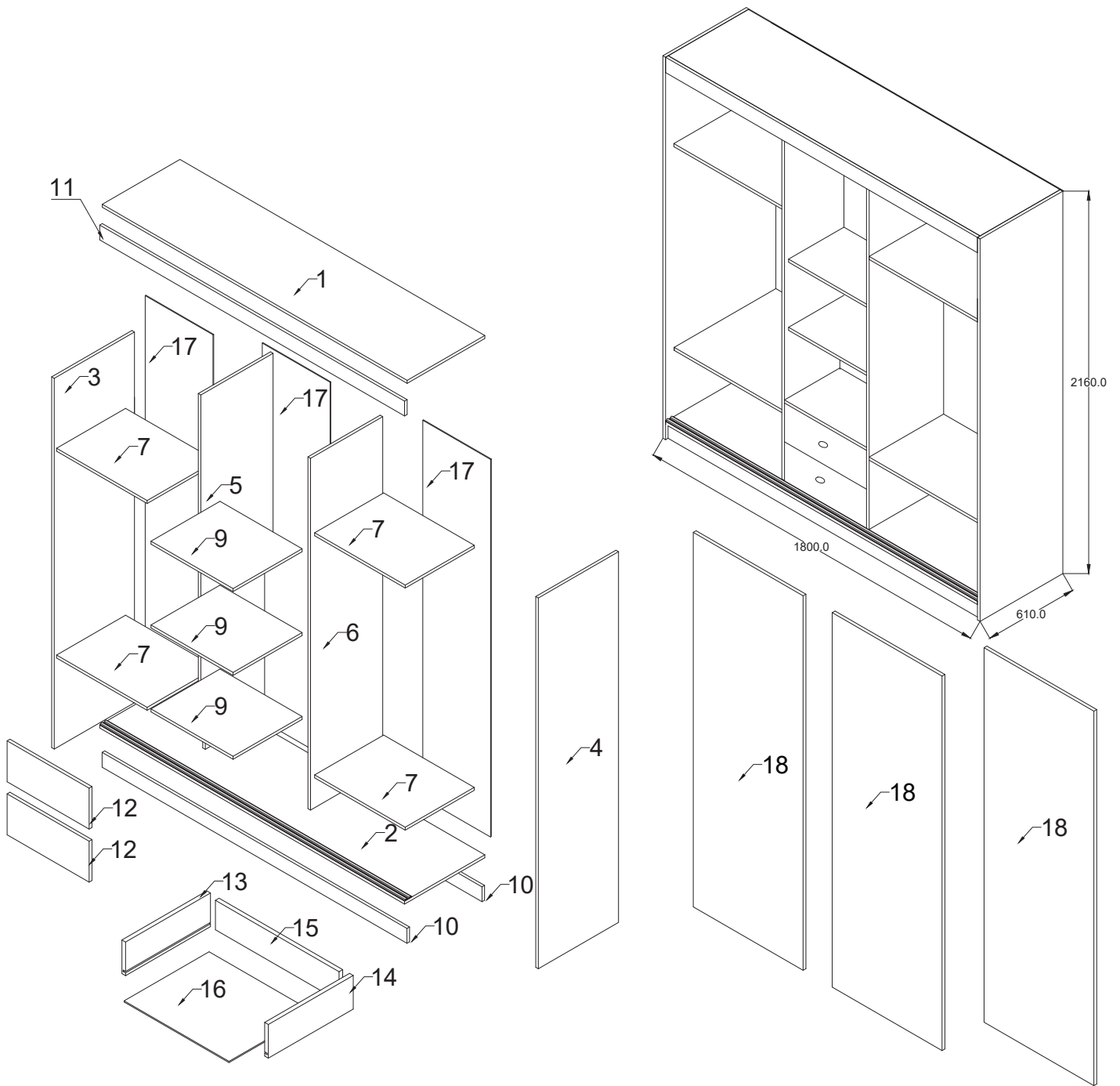


| Nr | X mm | Y mm | Z mm |
|----|------|------|------|
| 1 | 1768 | 593 | 16 |
| 2 | 1768 | 610 | 16 |
| 3 | 2160 | 610 | 16 |
| 4 | 2160 | 610 | 16 |
| 5 | 2033 | 470 | 16 |
| 6 | 2033 | 470 | 16 |
| 7 | 626 | 470 | 16 |
| 9 | 484 | 470 | 16 |
| 10 | 95 | 1768 | 16 |
| 11 | 80 | 1768 | 16 |

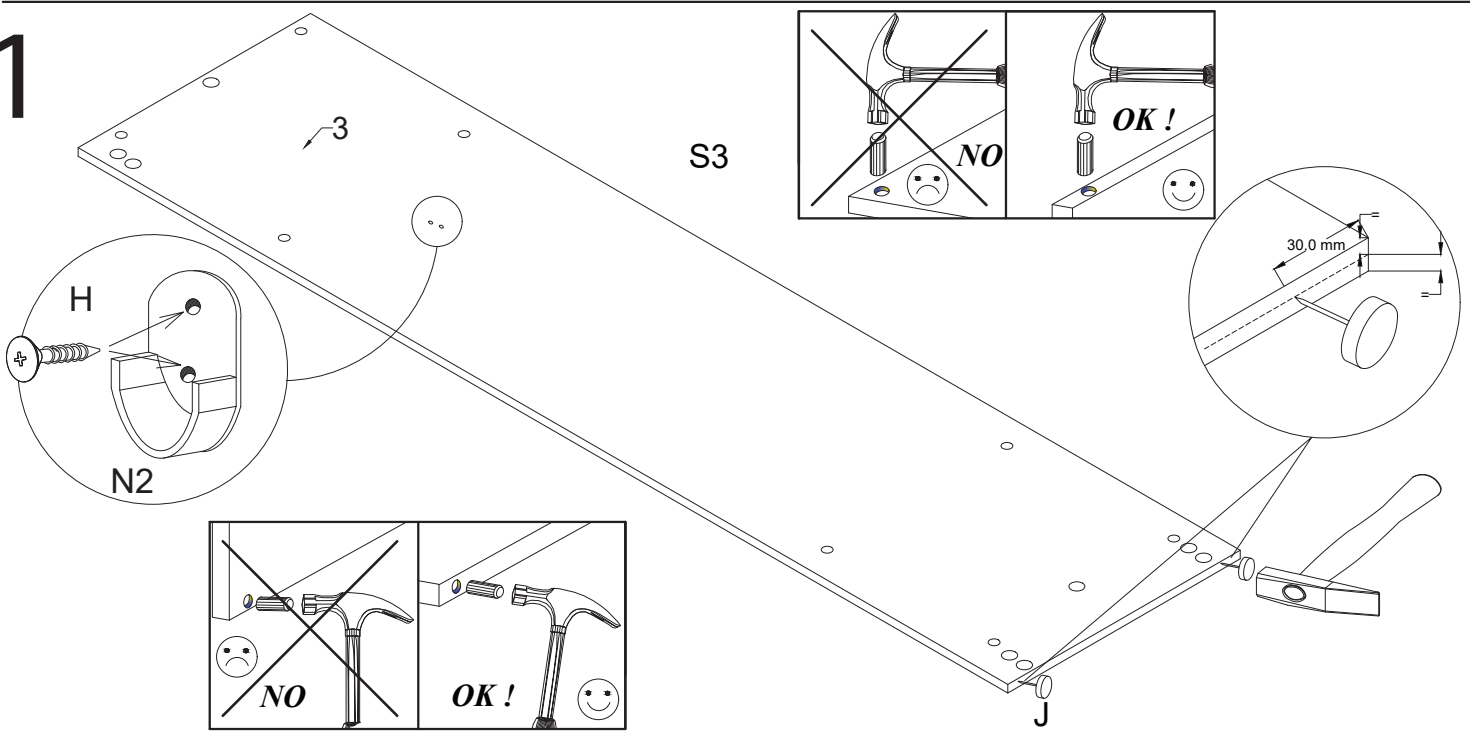
| Nr | X mm | Y mm | Z mm |
|----|------|------|------|
| 12 | 150 | 464 | 16 |
| 13 | 400 | 100 | 16 |
| 14 | 400 | 100 | 16 |
| 15 | 426 | 100 | 16 |
| 16 | 458 | 412 | 3 |
| 17 | 2035 | 595 | 3 |
| 18 | 2015 | 596 | 16 |

| | | | | | | | | | | |
|-------------|----|----|------------|-------------|-------------|----|--------------|----|----|--------------|
| 8.0x35 D | S | A | B | 4.0x16 H | X1 | N2 | M | M' | S3 | 4.0x12 H1 |
| 28 | 40 | 2 | 2 | 46 | 40 | 4 | 6 | 6 | 8 | 14 |
| X | U | S1 | L-620 R | L-1766 F | 3.0x13 Q | J | L-400mm R | | Y | KL |
| 2 | 2 | 90 | 2 | 4 | 20 | 10 | 2 | 2 | 2 | 1 |





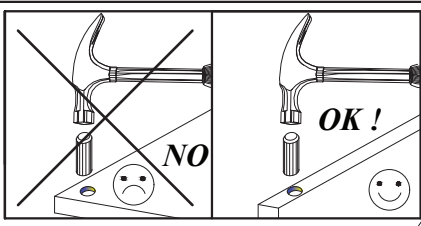
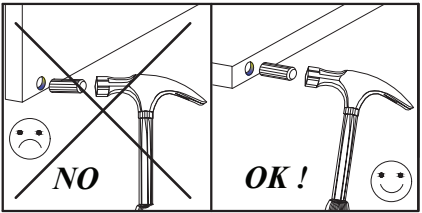
1



S3

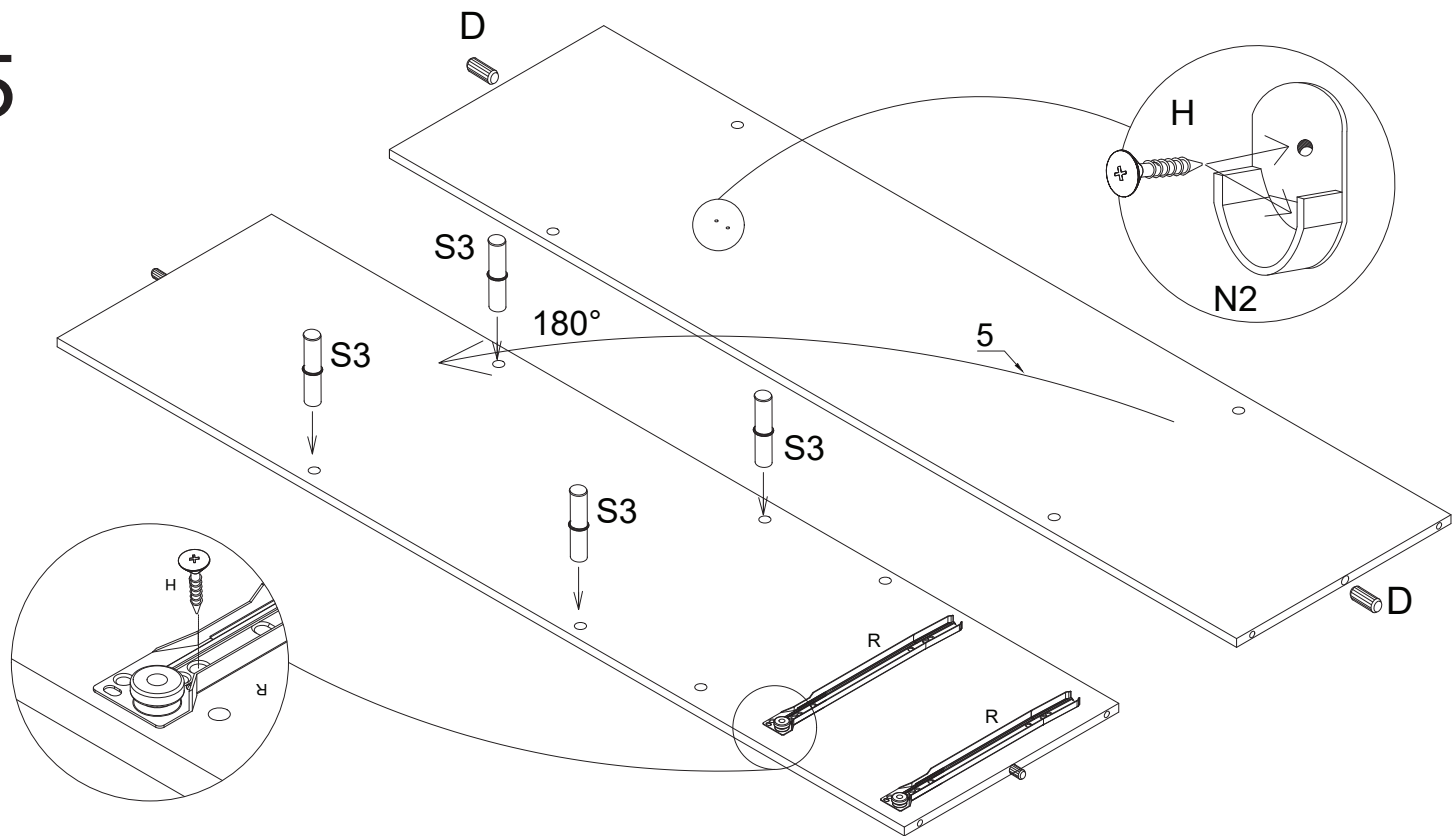
H
N2

30,0 mm

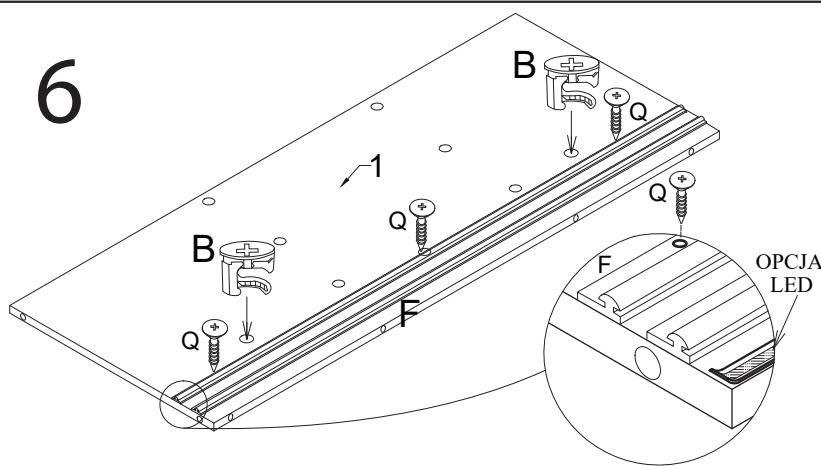


J

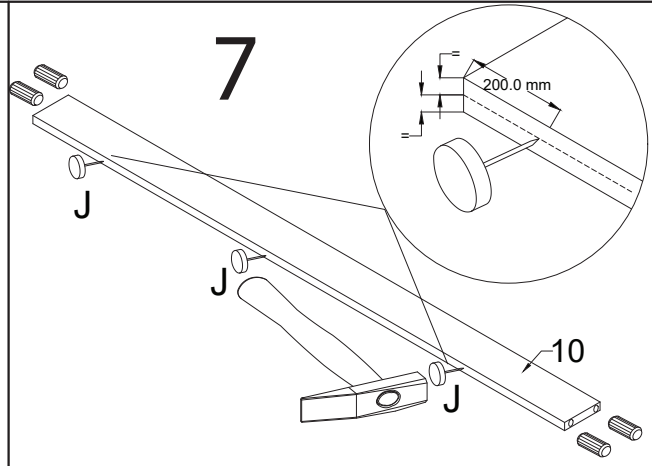
5



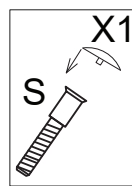
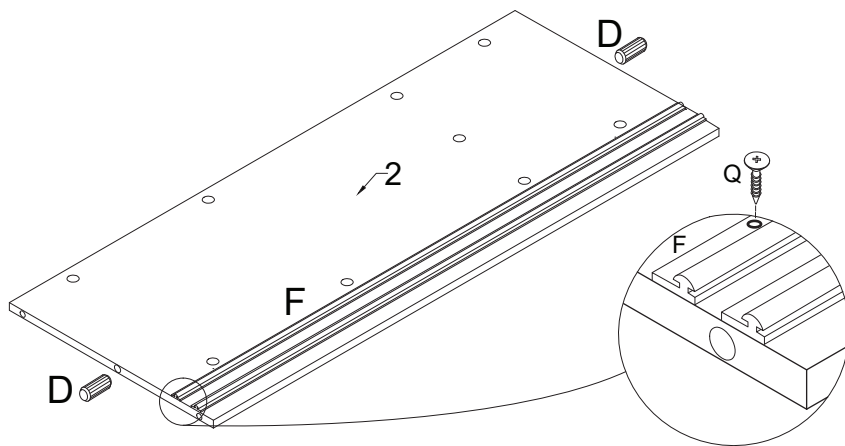
6



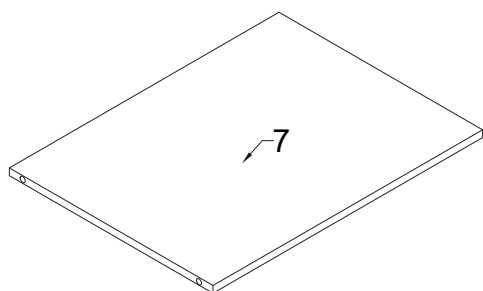
7



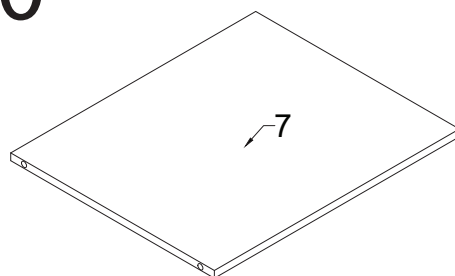
8



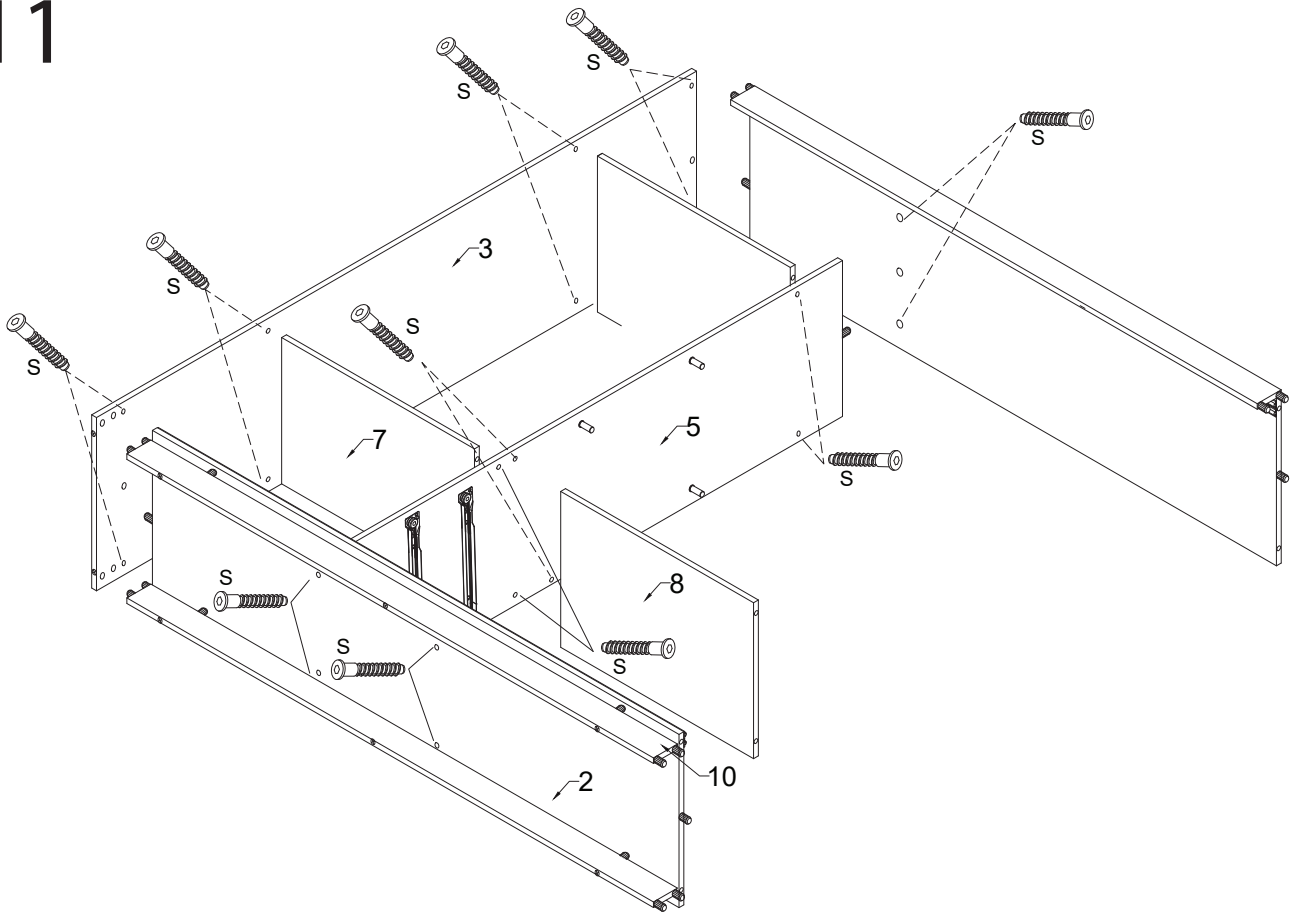
9



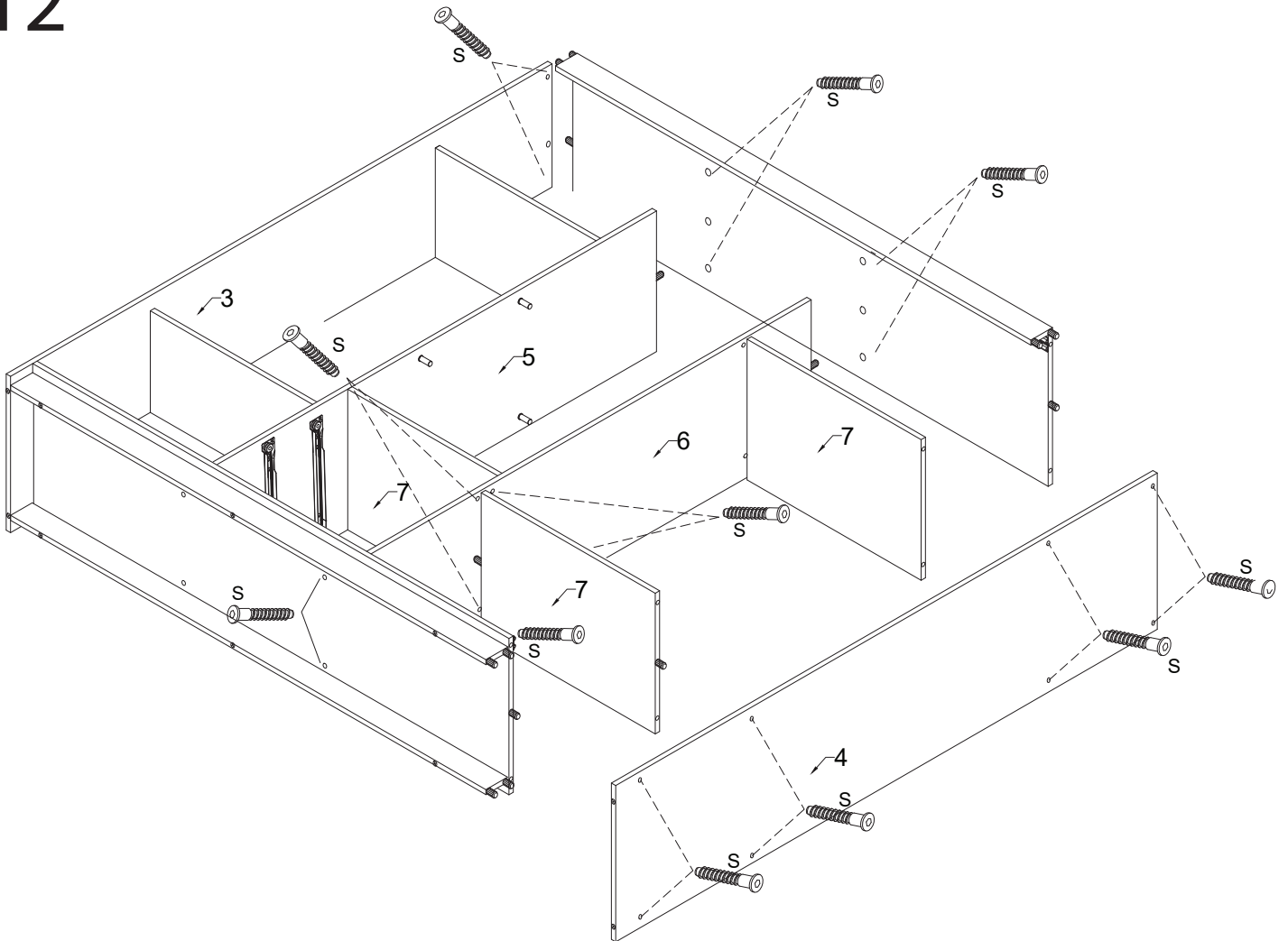
10



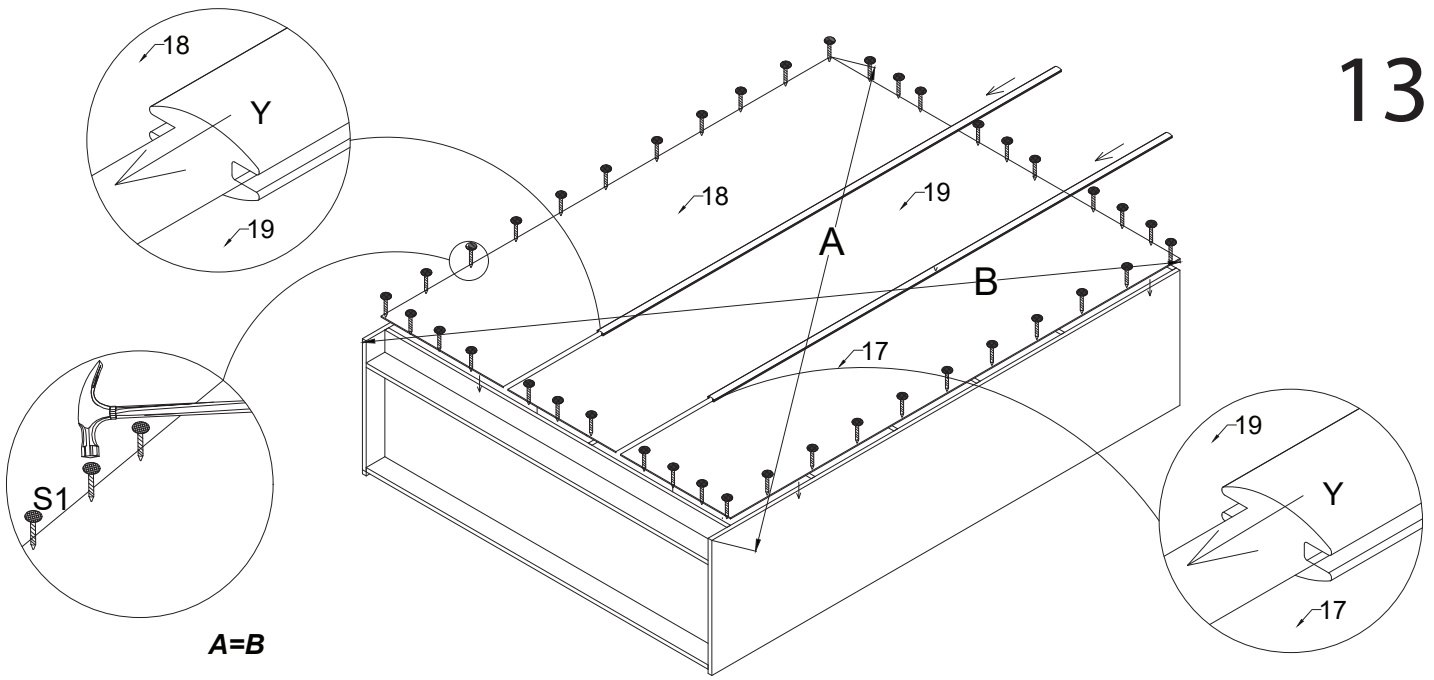
11



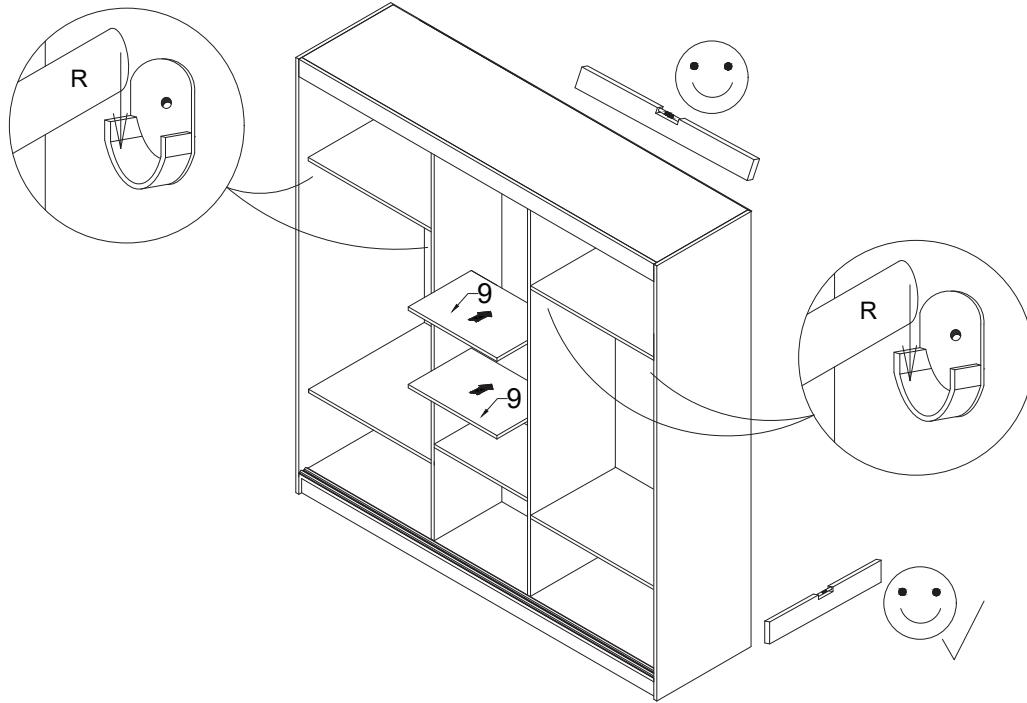
12



13



14



15

