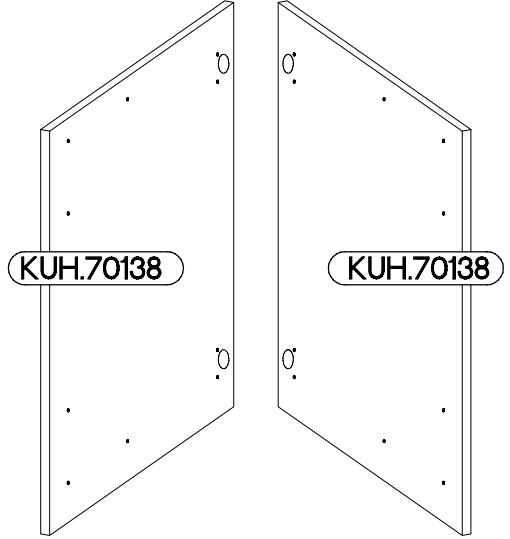
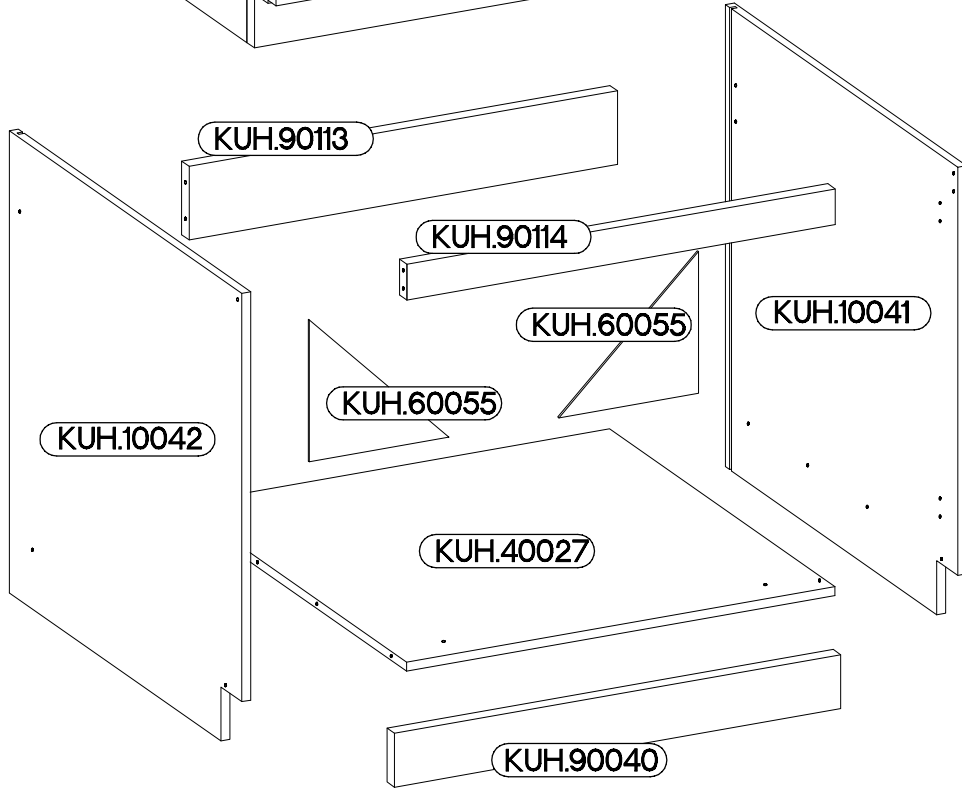
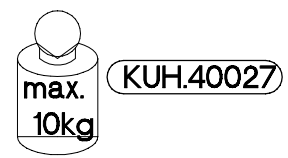
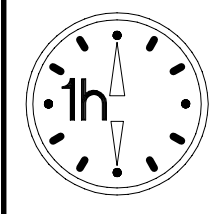
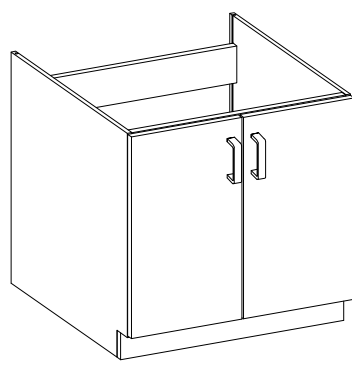
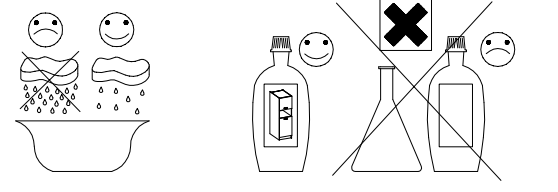
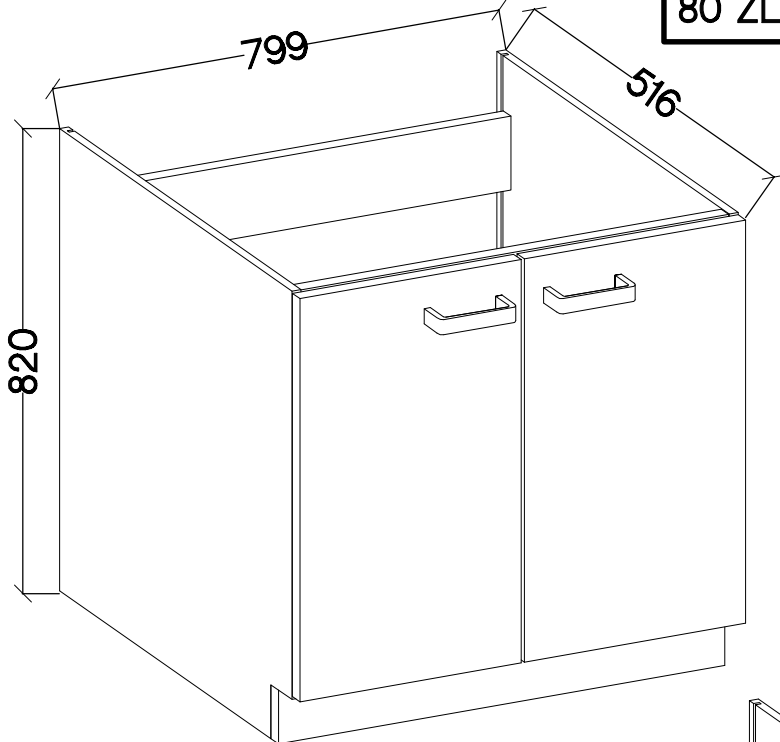
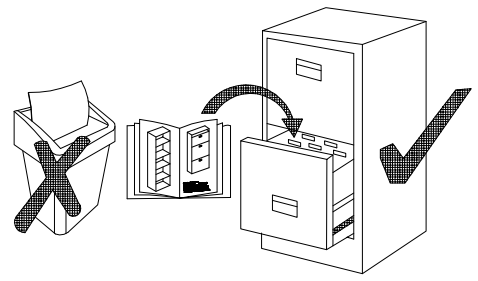


80 ZL 2F BB

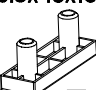
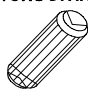




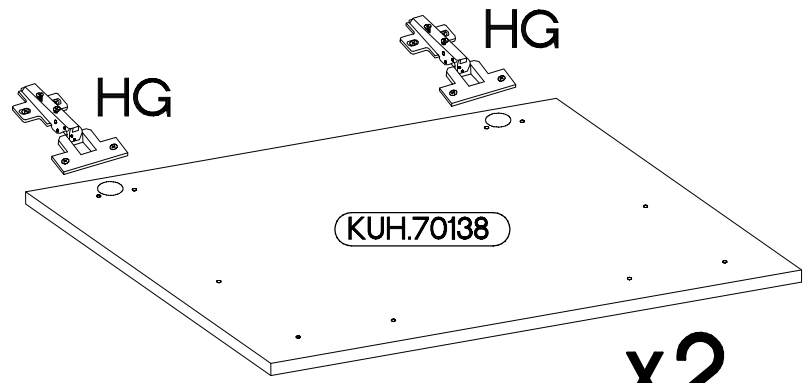
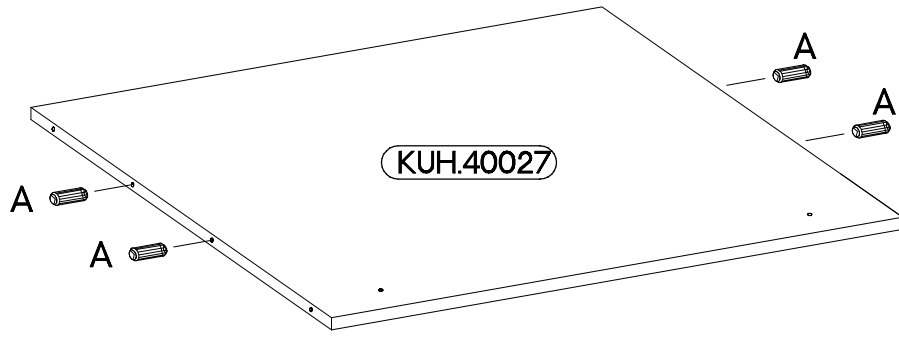
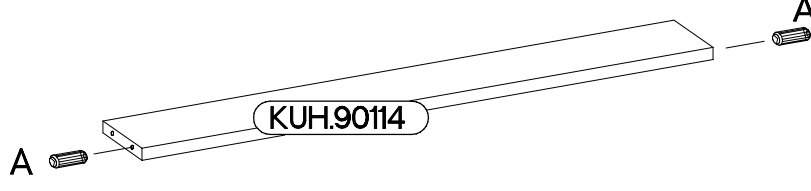
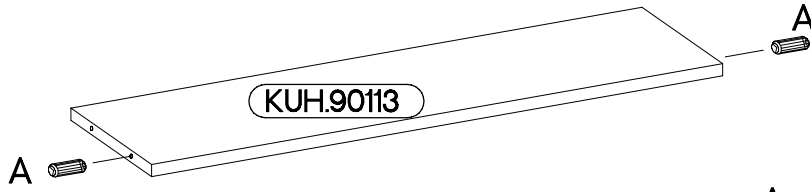
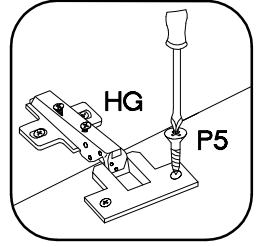
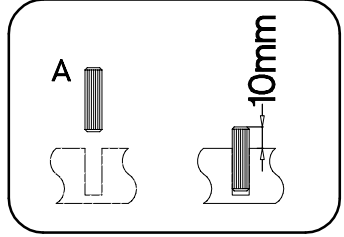
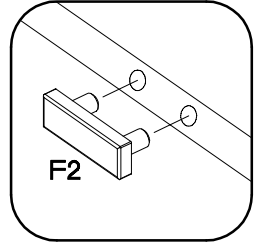
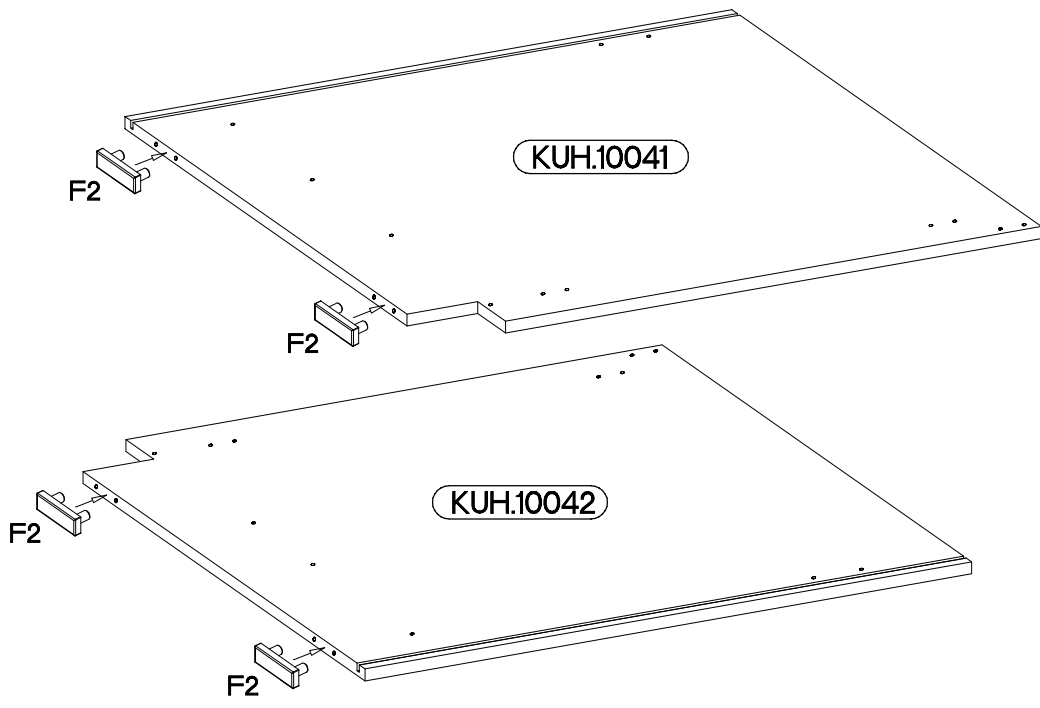
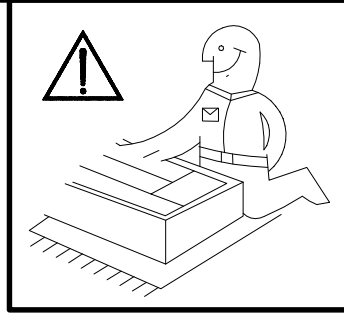
<p>8x30mm</p> <p>A</p> <p>8</p>	<p>6,4 x 50mm</p> <p>B</p> <p>8</p>	<p>E1</p> <p>8</p>	<p>E9</p> <p>2</p>	<p>6.5x48x16</p> <p>F2</p> <p>4</p>	<p>35/0mm</p> <p>HG</p> <p>4</p>
<p>O</p> <p>1</p>	<p>4.0x45mm</p> <p>P4</p> <p>2</p>	<p>3.5x13mm</p> <p>P5</p> <p>8</p>	<p>3.0x20mm</p> <p>P7</p> <p>4</p>	<p>S23</p> <p>2</p>	<p>M4x22mm</p> <p>U</p> <p>4</p>



ISM-KUH-00927

1

6.5x48x16  F2 4	±8x30mm  A 8	±35/0mm  HG 4	±3.5x13mm  P5 8
----------------------------------------------------------------------------------------------------------	-------------------------------------------------------------------------------------------------------	--------------------------------------------------------------------------------------------------------	----------------------------------------------------------------------------------------------------------



x2

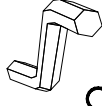
2

6,4 x 50mm



B

4



O

1



E1

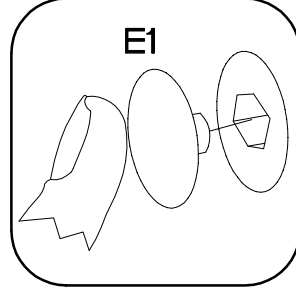
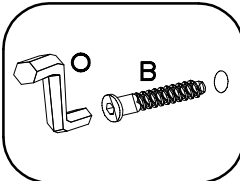
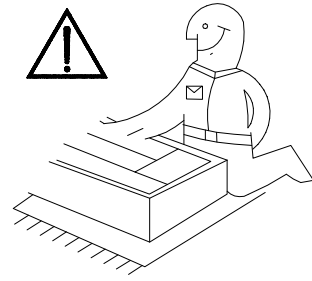
4

KUH.90113

KUH.10042

KUH.90114

KUH.40027



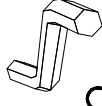
3

6,4 x 50mm



B

4



O

1



E1

4

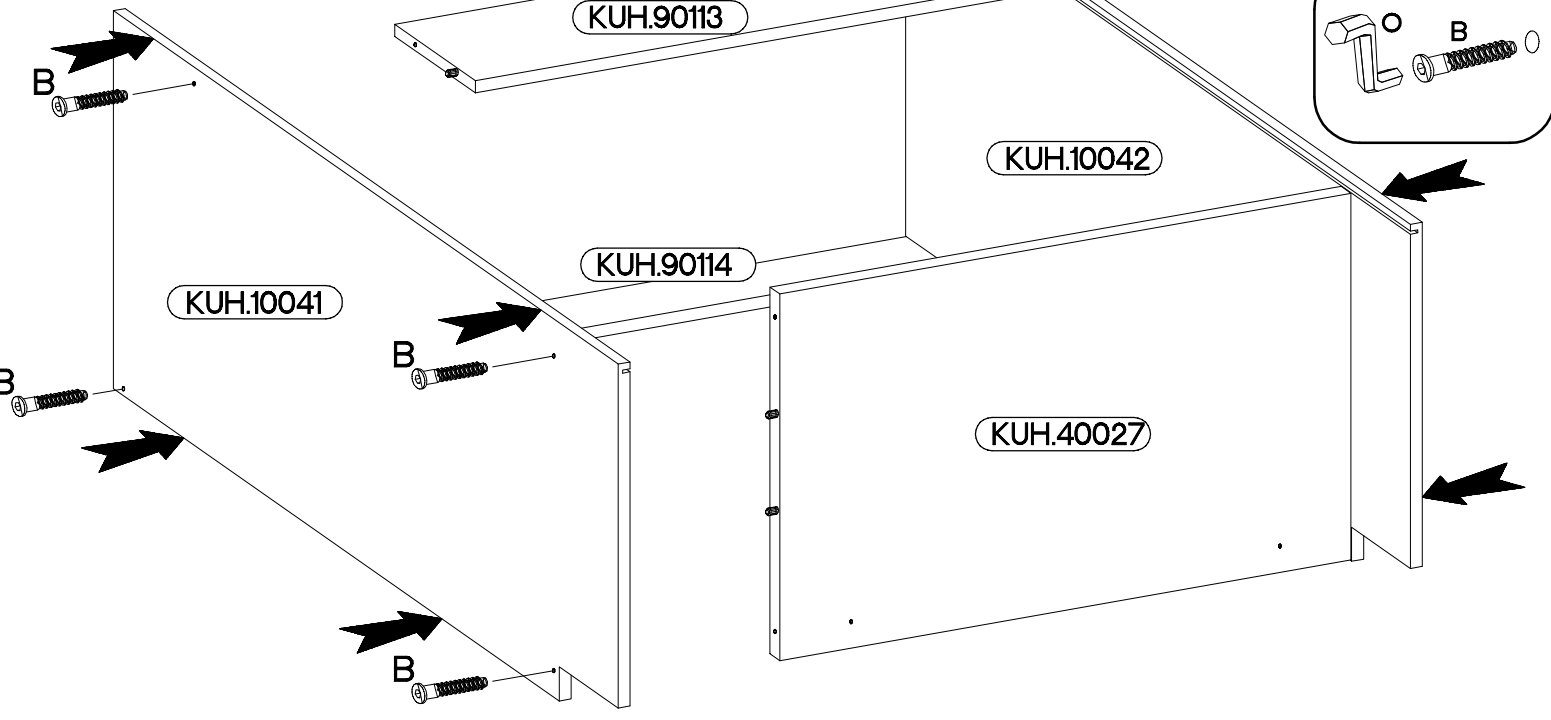
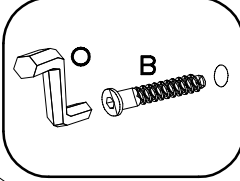
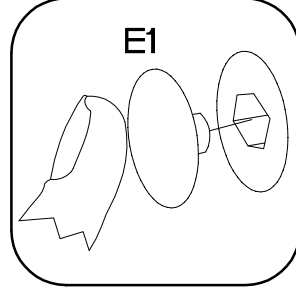
KUH.90113

KUH.10042


KUH.10041

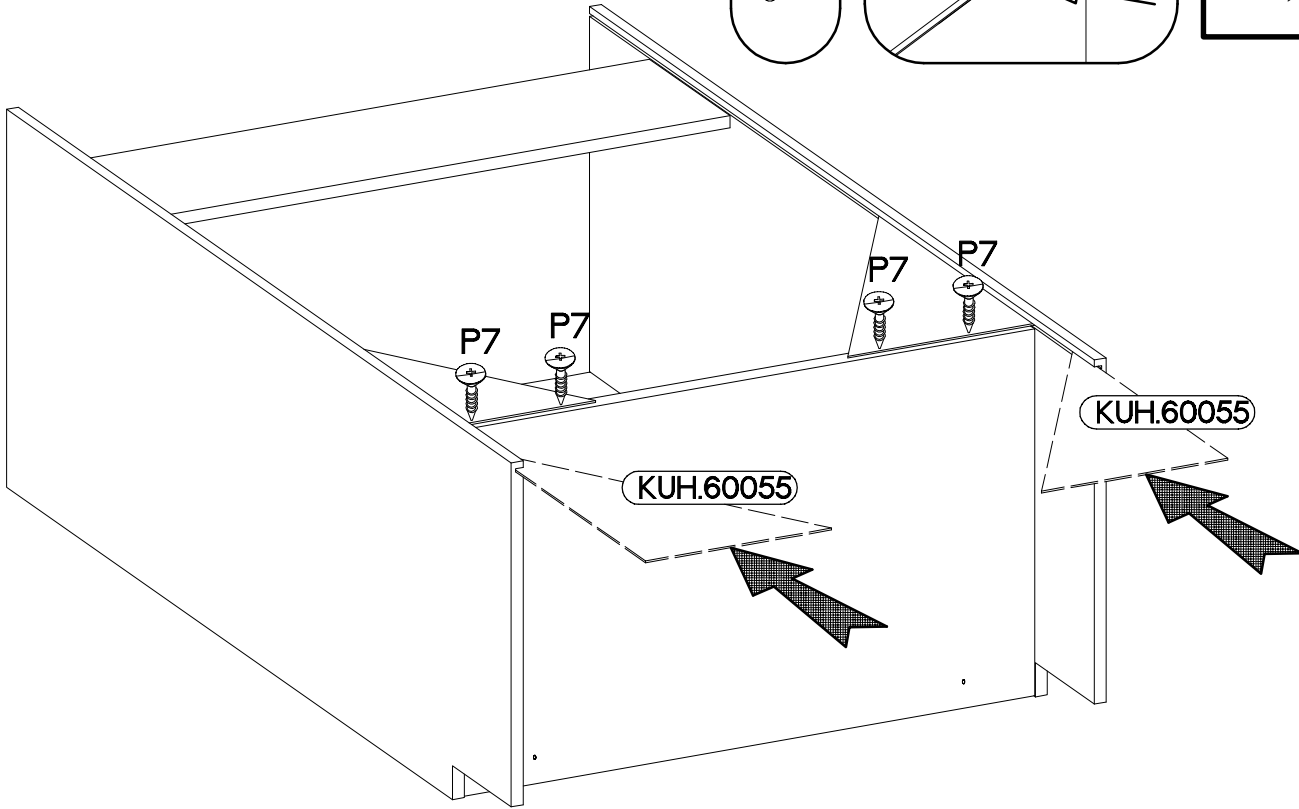
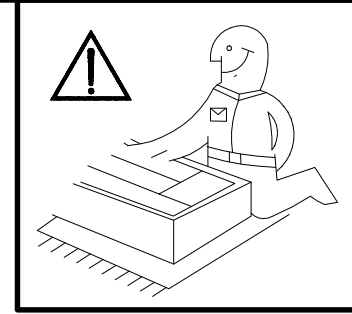
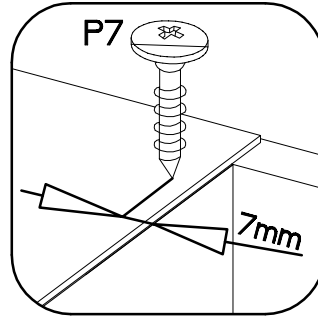
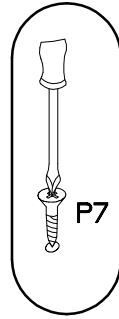
KUH.90114

KUH.40027





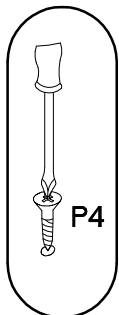
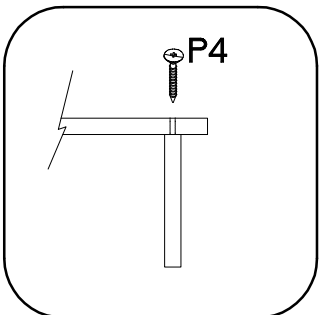
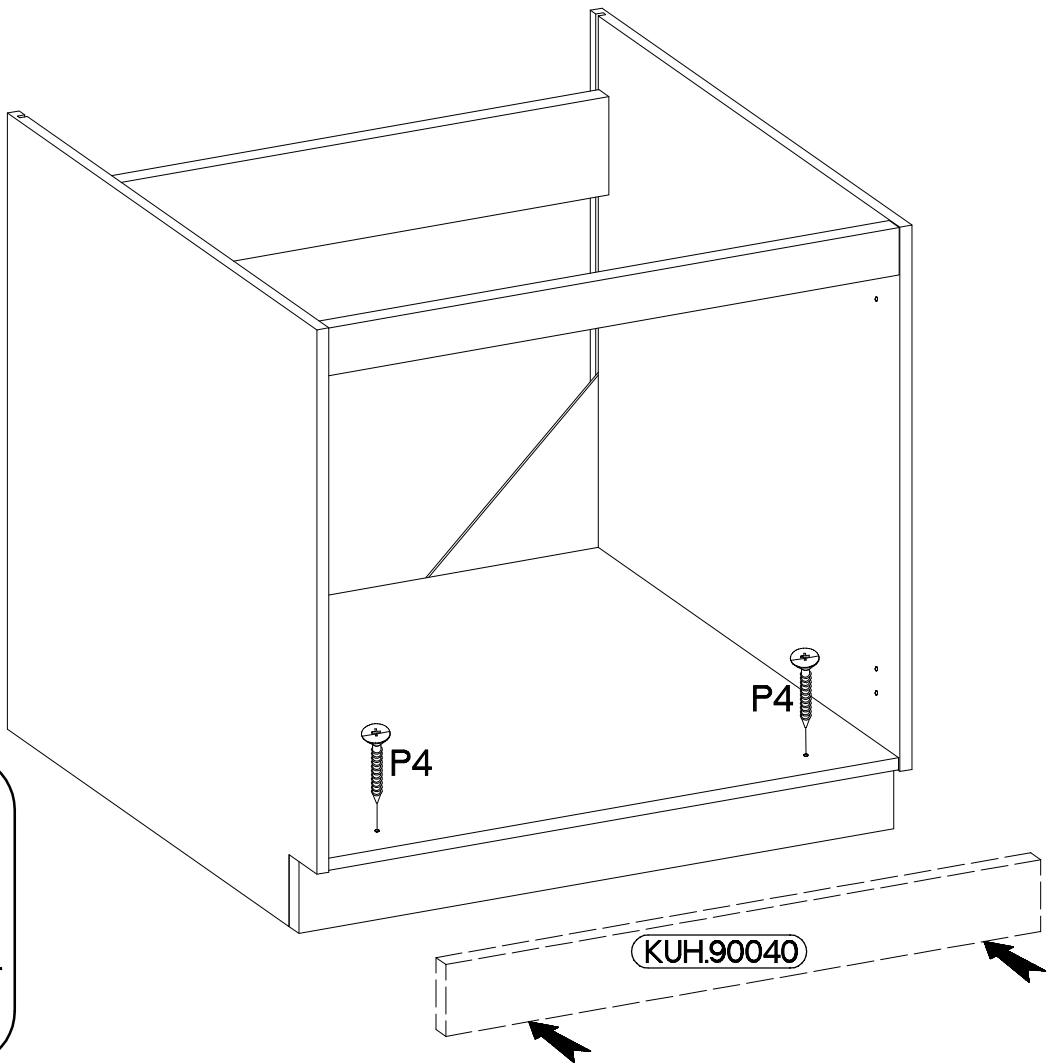
4

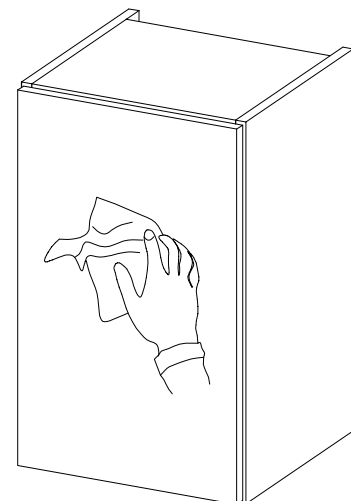
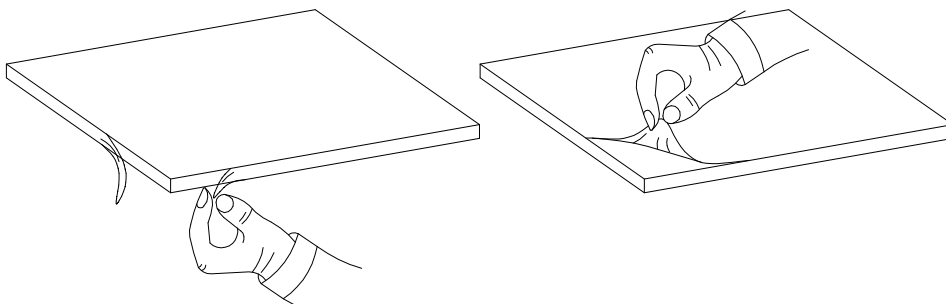
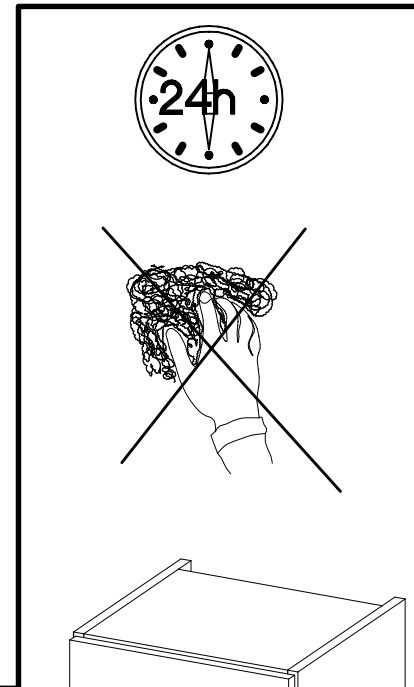
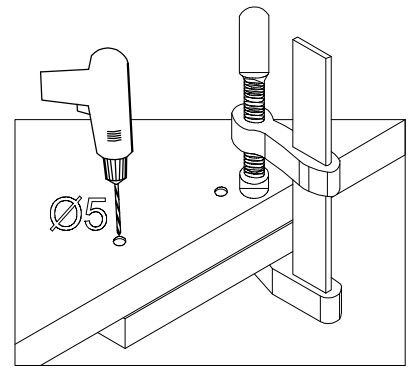
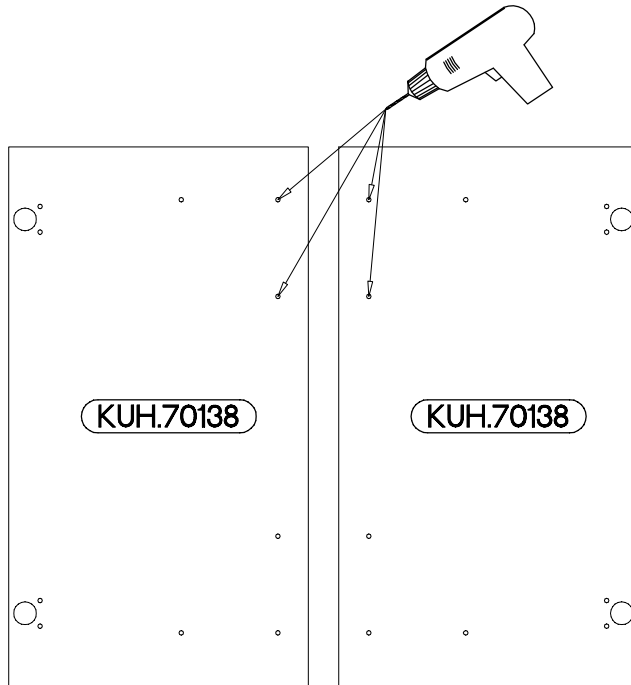
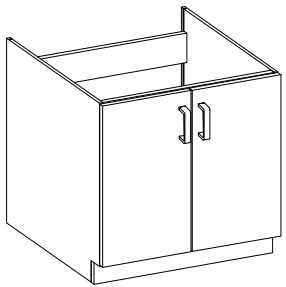
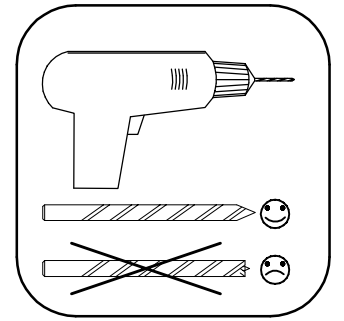
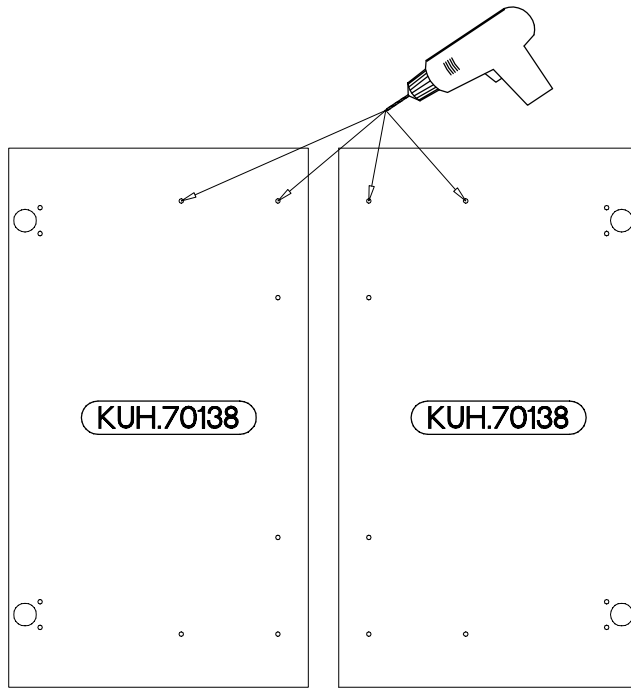
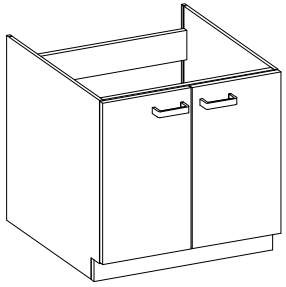
φ3.0x20mm

P7
4




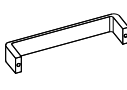
5

φ4.0x45mm	
	E9
2	2





7

M4x22mm		
4	U	S23
4		2

