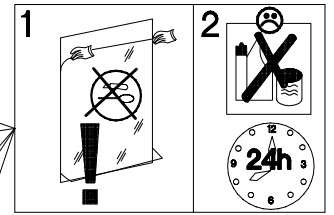
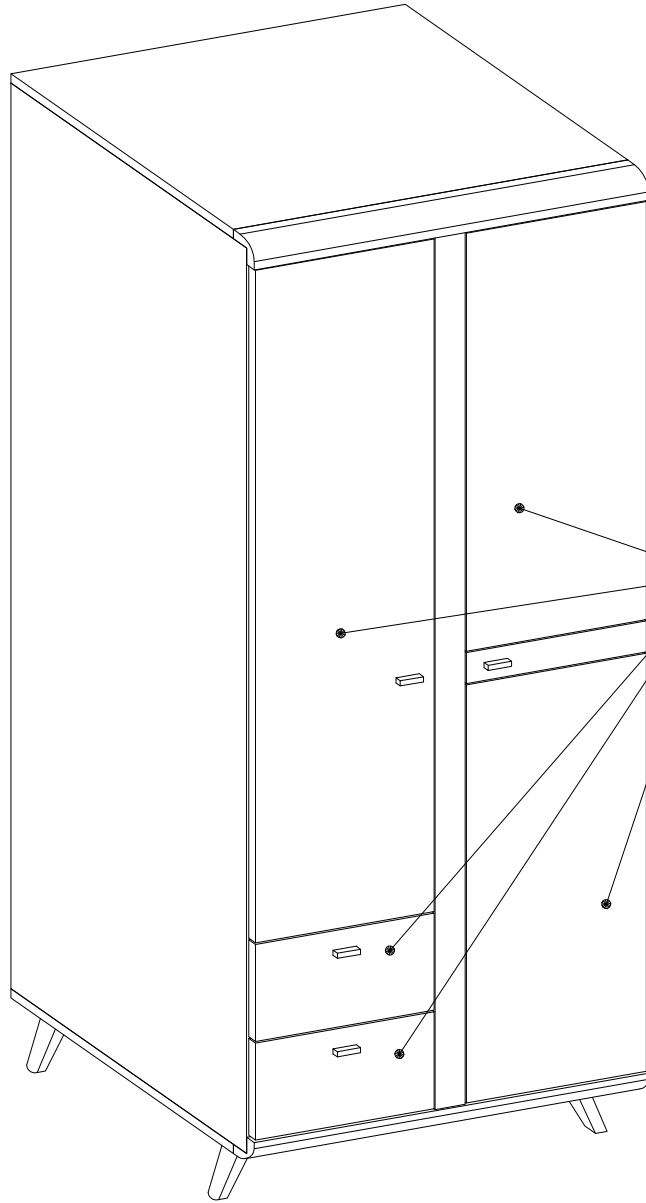


ARWH 04

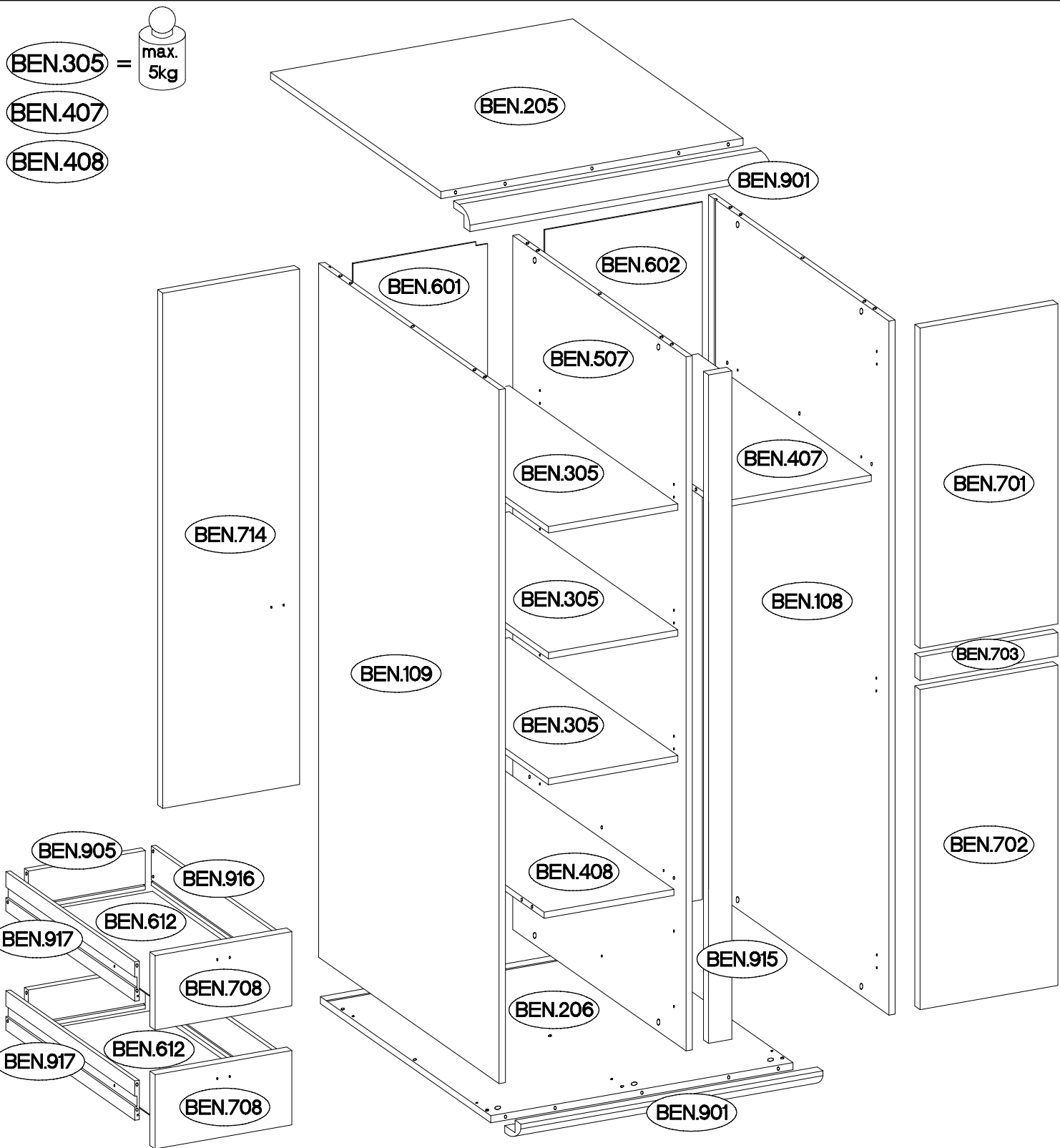


+8x40mm A5 4	+6,3x13mm M2 8	27/310mm I4 2
+6x42mm B2 4	M4x9mm U1 4	

+5/69 mm L24 4	30x30 mm T11 4
0,05 O11 1	L2 L2 10

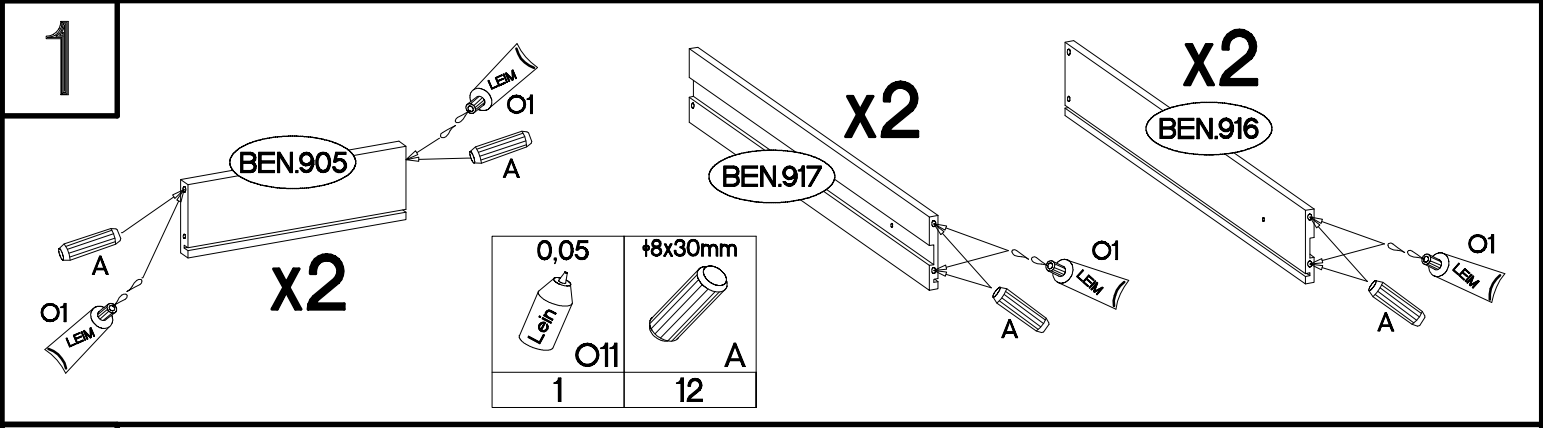
L19 1	+10x50mm O7 1	+5.0x60mm P12 1	+5/16mm J3 12	L=387mm J2 1	J17 2	L 10	+3.0x20mm P7 16	+3.5x13mm P5 16	M4x22mm U 8	L=32mm S11 4
C 26	D2 26	A 42	E 26	H 6	G 6	F13 5	P1 23			

ISM-BEN-04



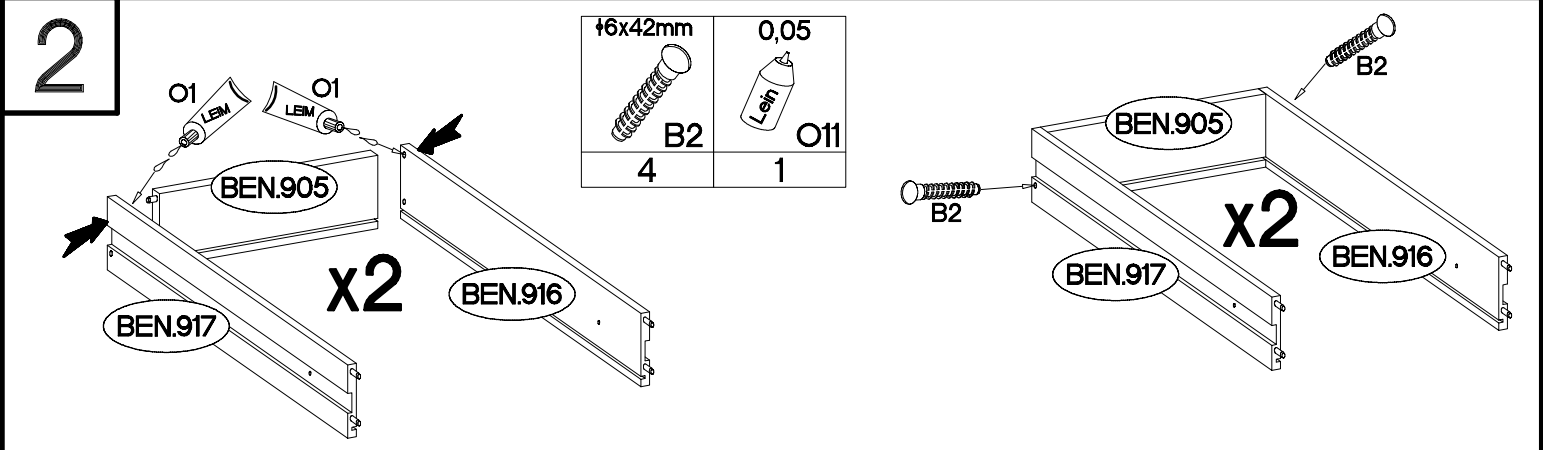
Coli	Ersatzteil Nummer	Dimension	Coli	Ersatzteil Nummer	Dimension	Coli	Ersatzteil Nummer	Dimension
1/3	BEN.205	780x528,5x18	2/3	BEN.108	1764x560x16	3/3	BEN.701	814x356x16
	BEN.206	780x528,5x18		BEN.109	1764x560x16		BEN.702	814x356x16
	BEN.305	334x523x16 x3		BEN.507	1764x538x16		BEN.714	1310x353x16
	BEN.407	395x537,5x16		BEN.601	1773x347x2,5		BEN.708	353x189x16 x2
	BEN.408	335x537,5x16		BEN.602	1773x407x2,5		BEN.916	400x100x12 x2
	BEN.612	396x312x2,5 x2		BEN.915	1699x60x16		BEN.917	400x100x12 x2
	BEN.703	356x60x16			BEN.905		302x100x12 x2	
	BEN.901	780x50x50 x2						

1



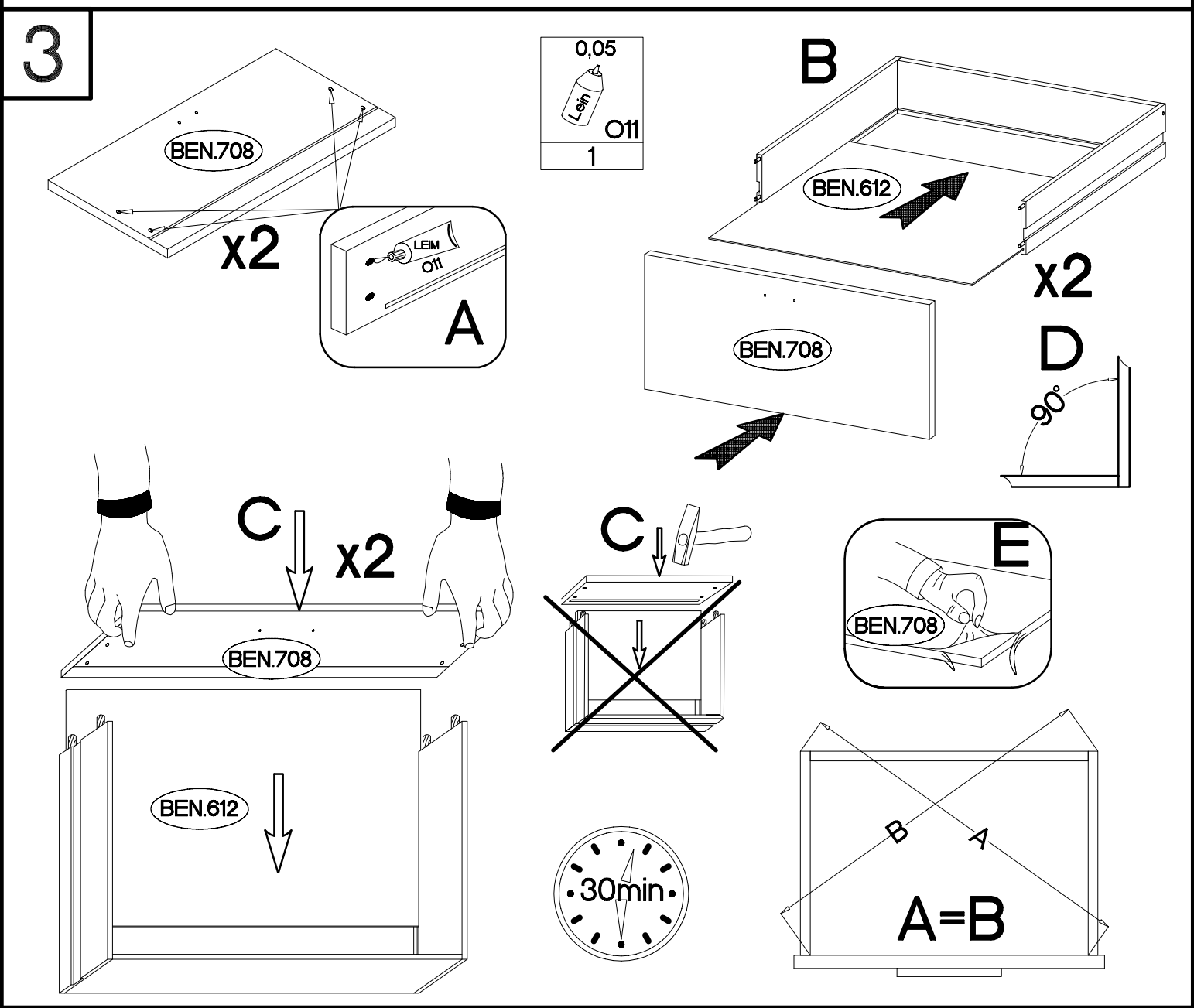
0,05	+8x30mm
Leih O11	A
1	12

2



+6x42mm	0,05
B2	O11
4	1


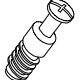
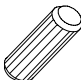
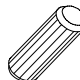

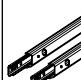
3

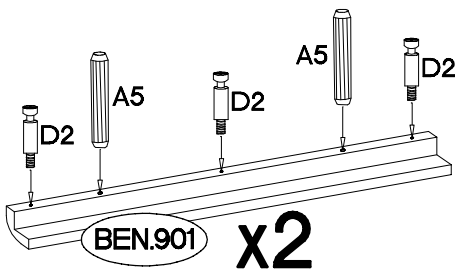
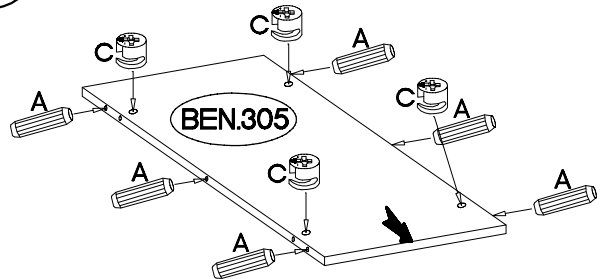
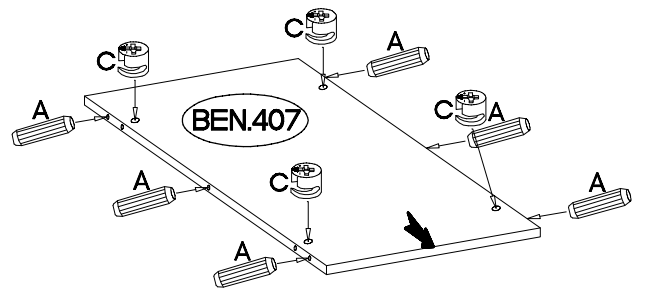
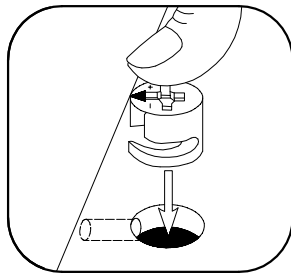
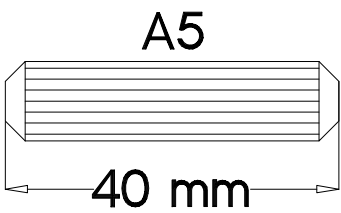
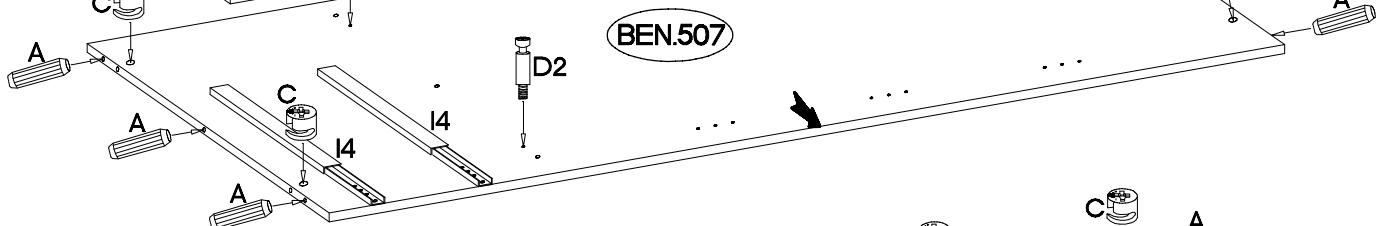
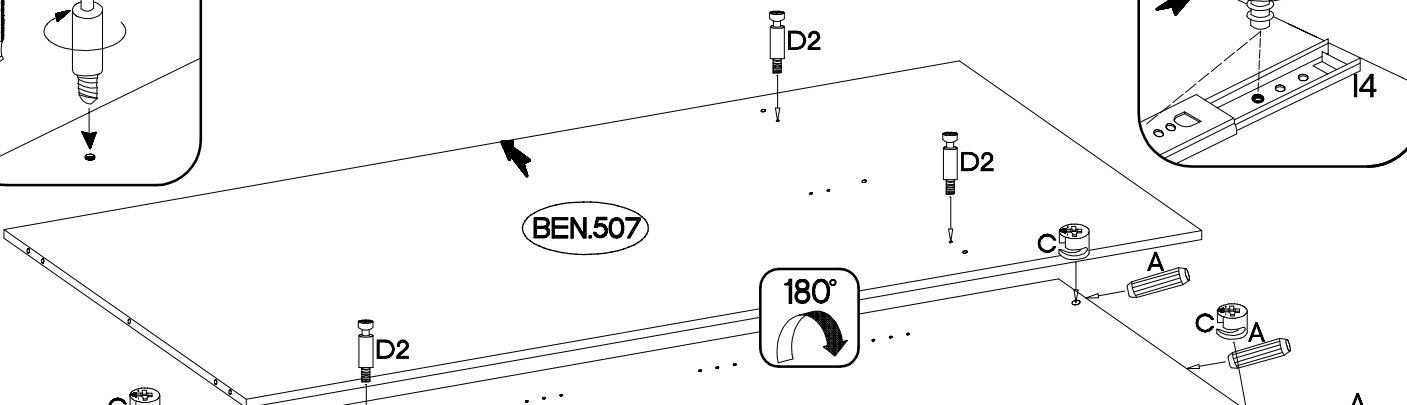
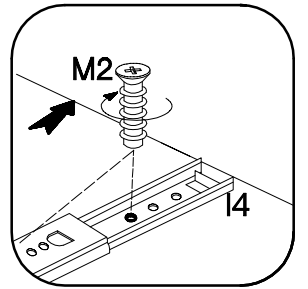
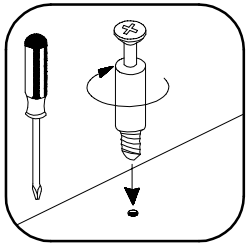
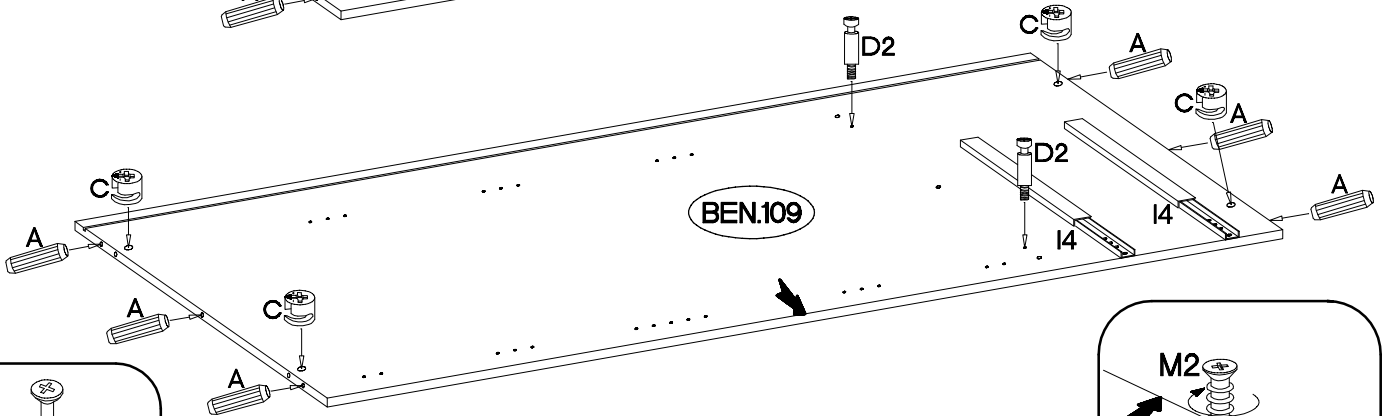
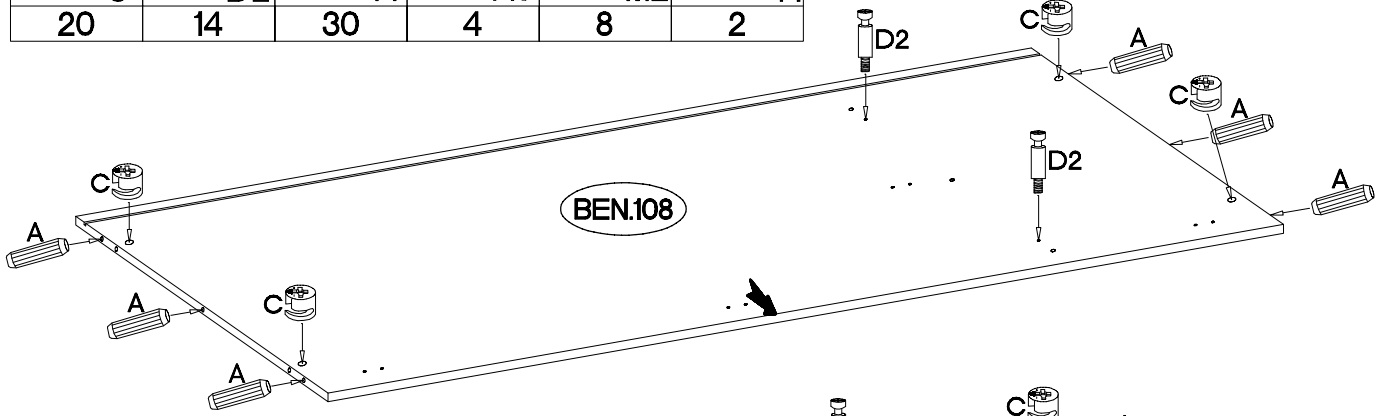


0,05
Leih O11
1




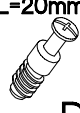
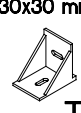

30min

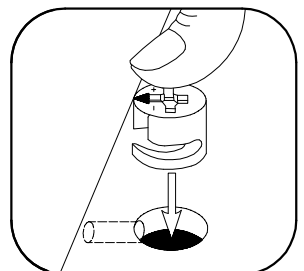
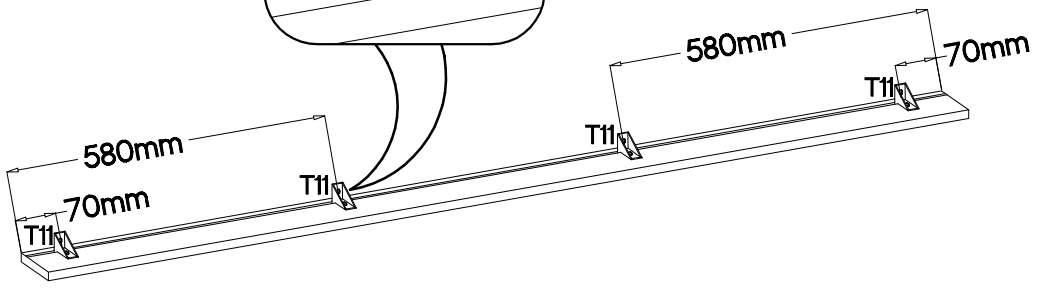
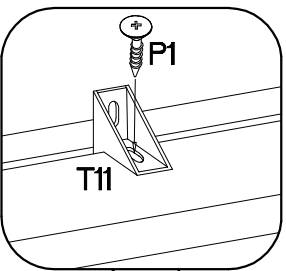
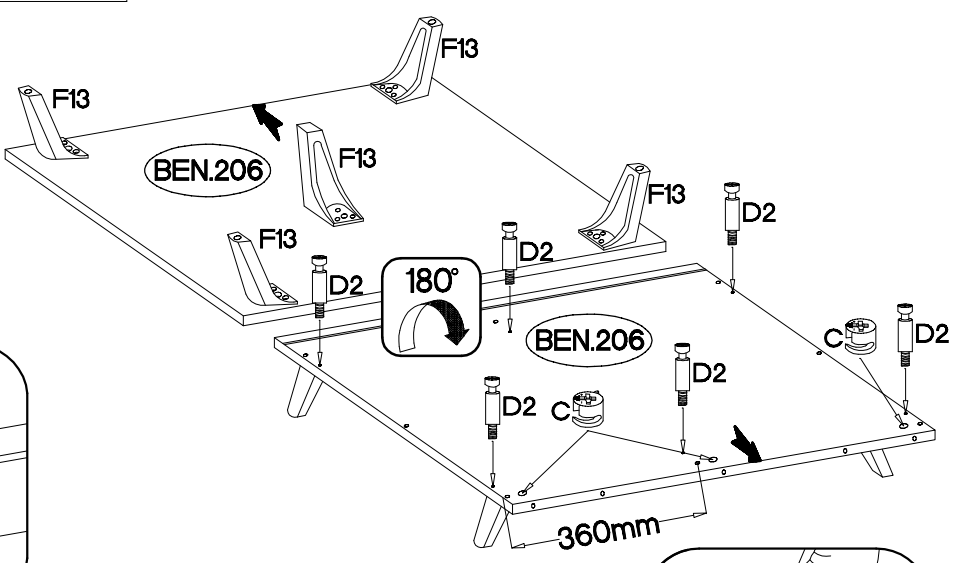
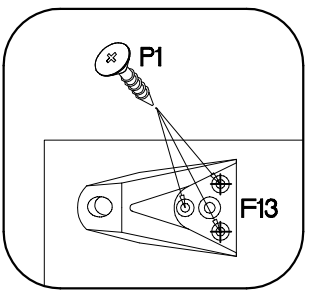
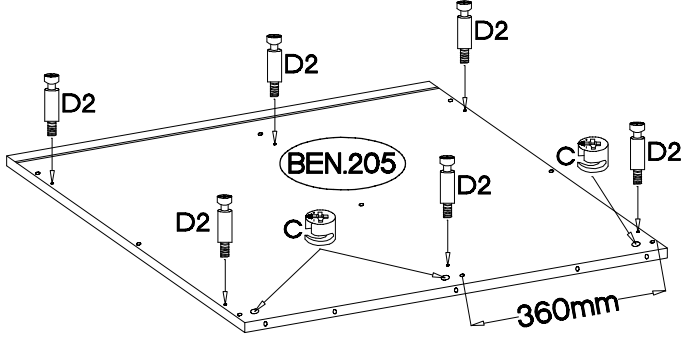
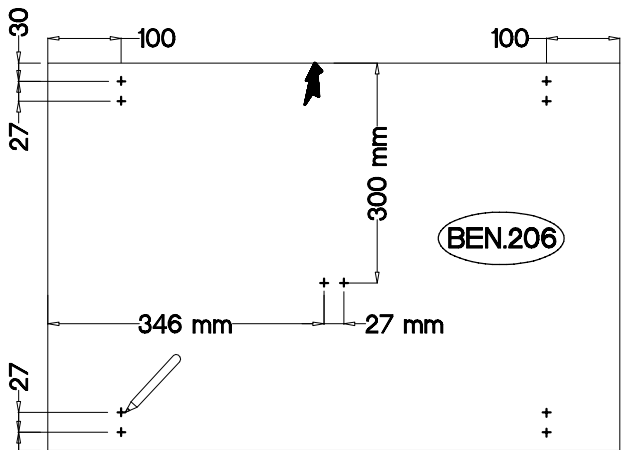
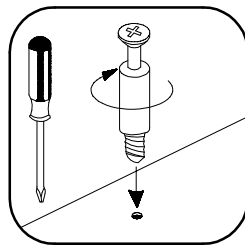
A=B

±15/12mm	L=20mm	+8x30mm	+8x40mm	+6,3x13mm	27/310mm
					
C	D2	A	A5	M2	I4
20	14	30	4	8	2

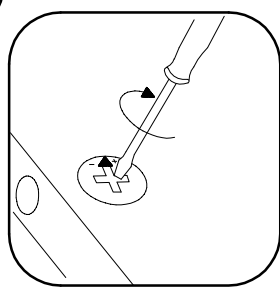
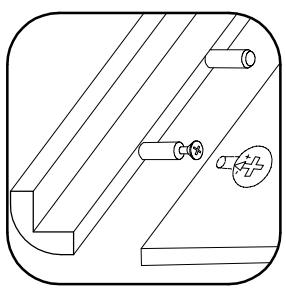
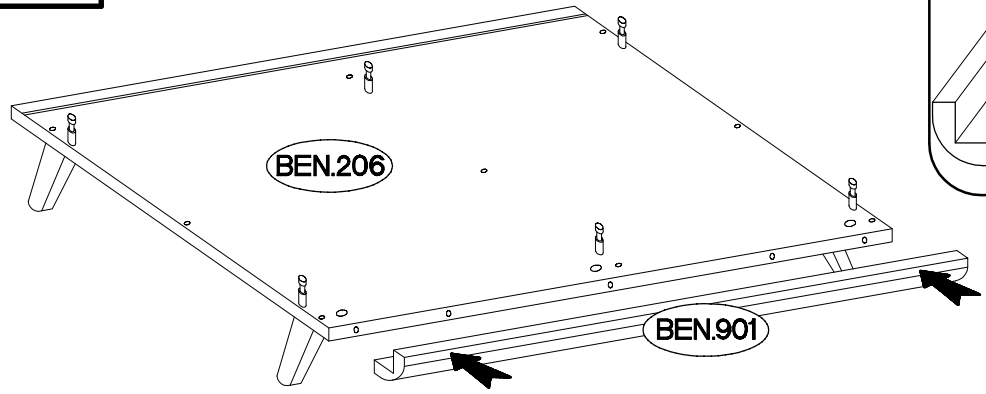


5

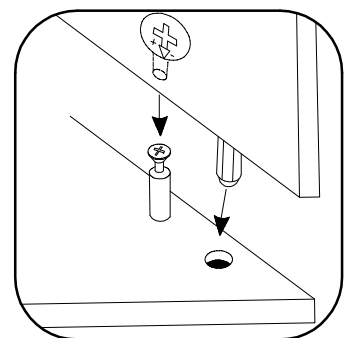
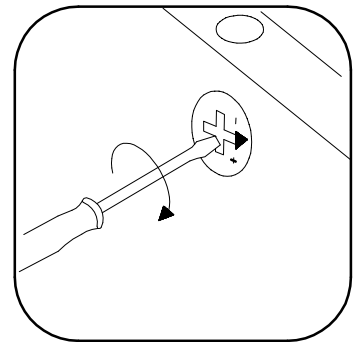
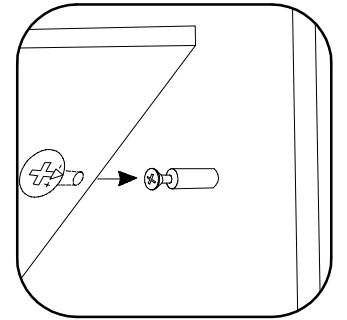
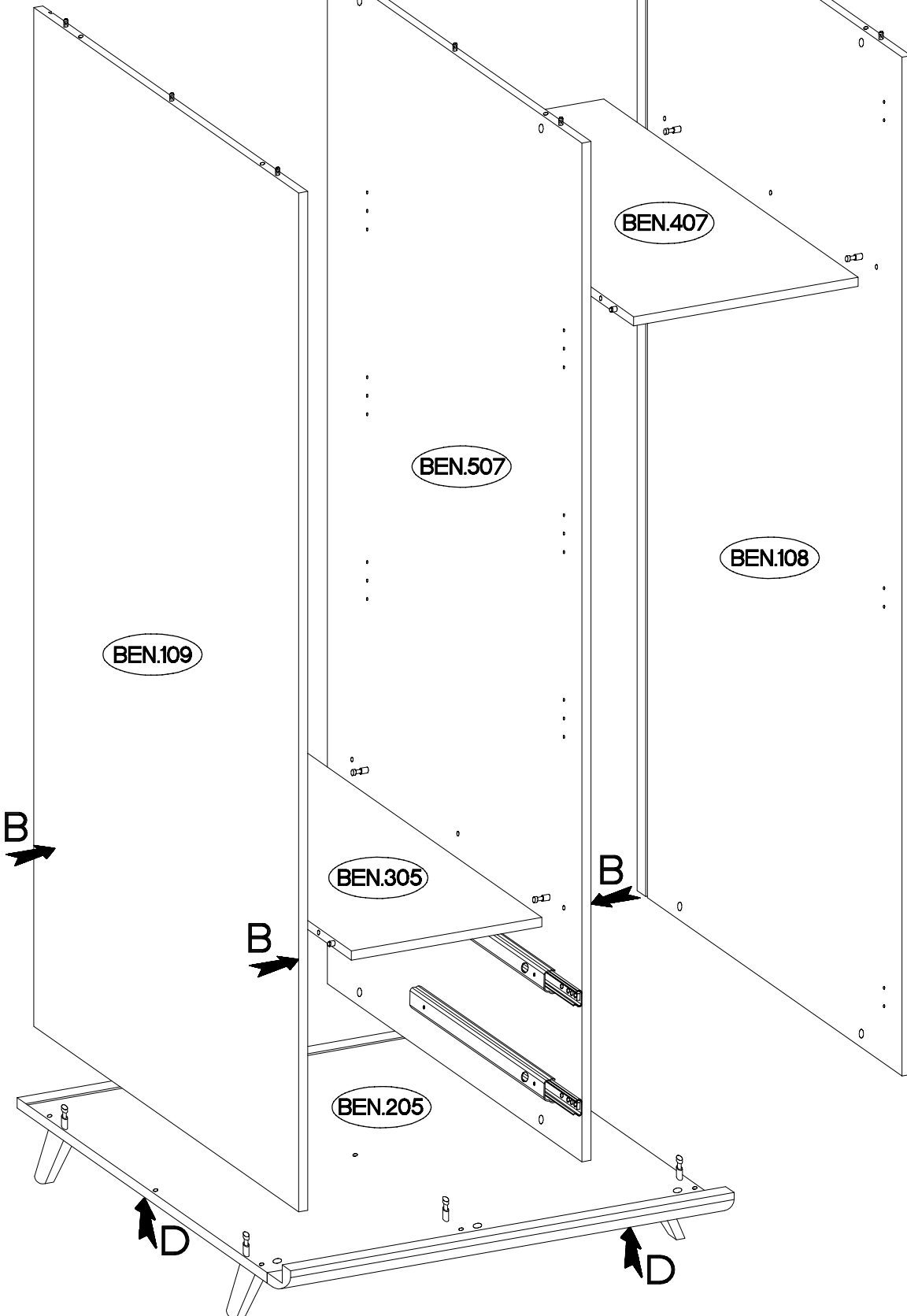
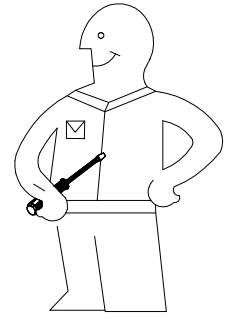
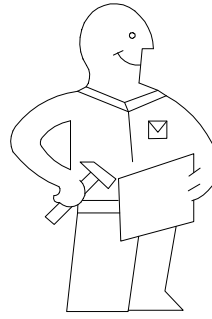
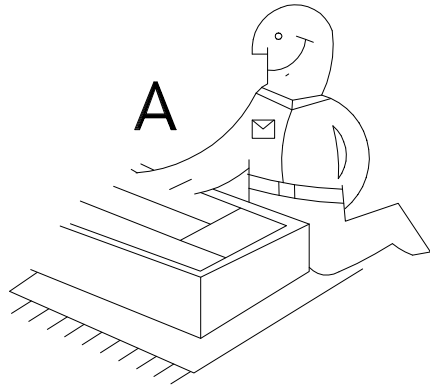
					
F13	P1	C	D2	T11	P1
5	15	6	12	4	4

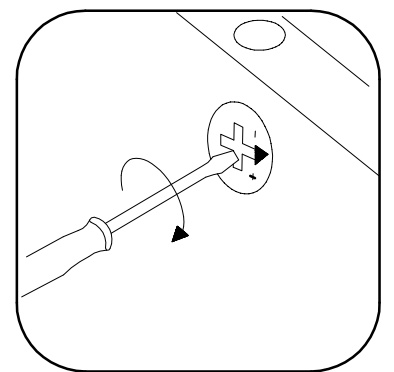
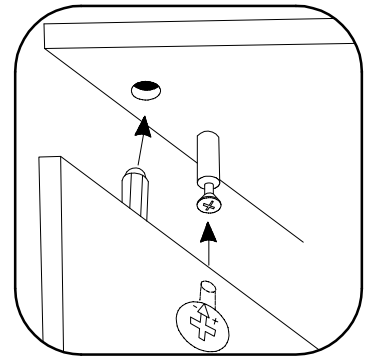
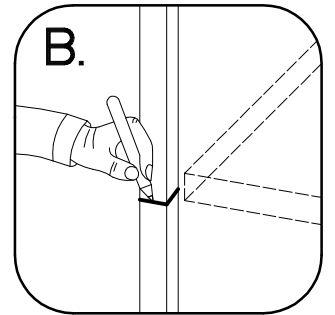
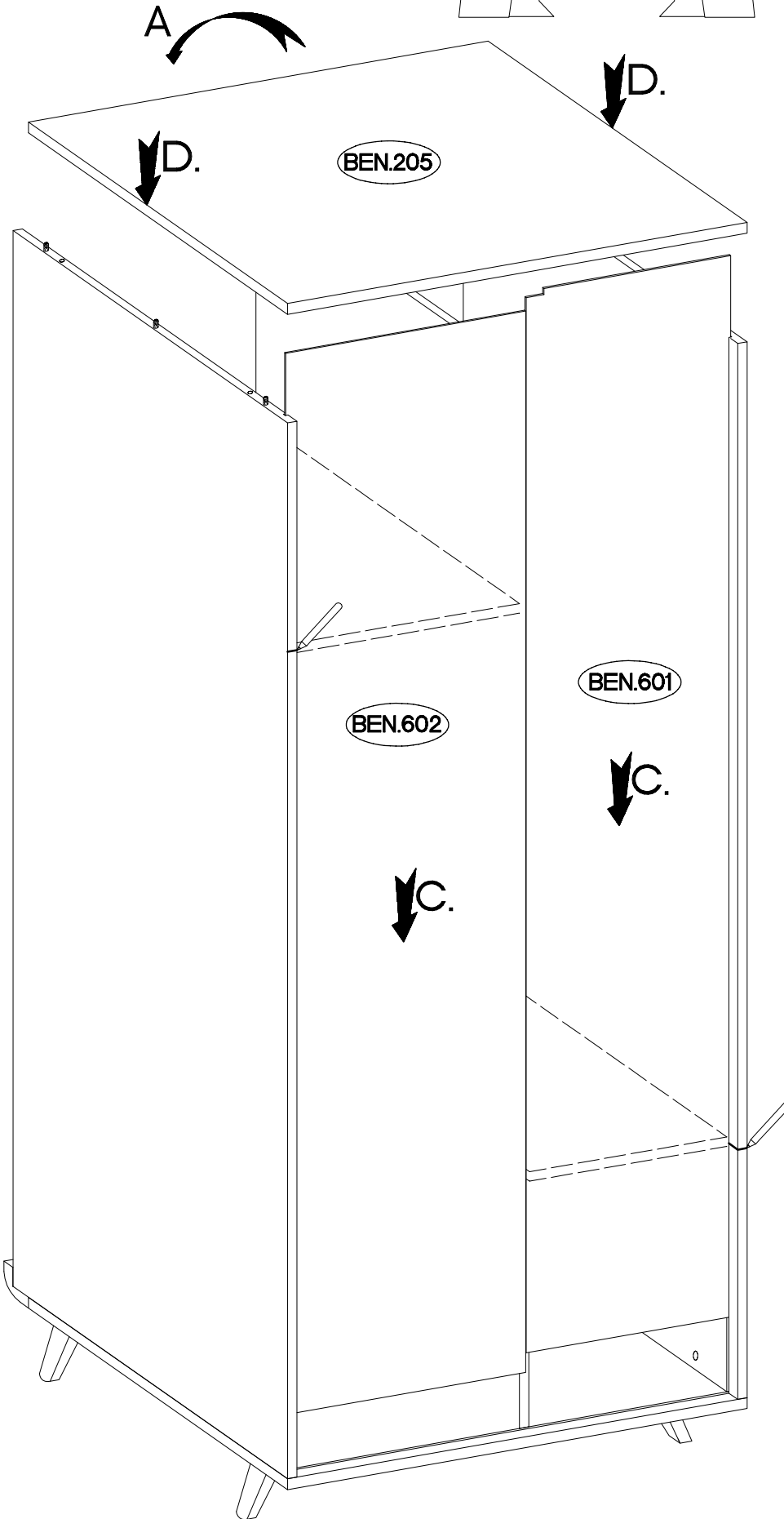
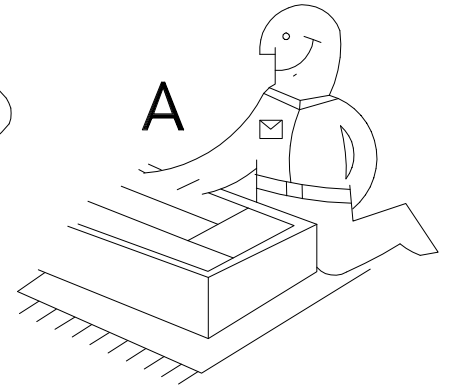
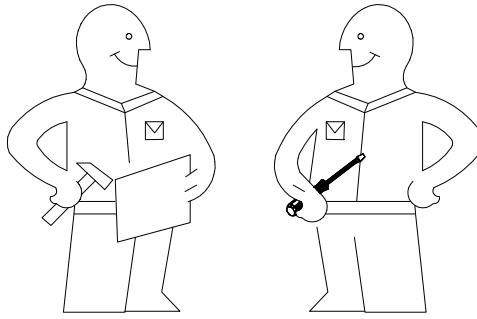


6



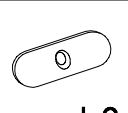
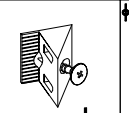

7

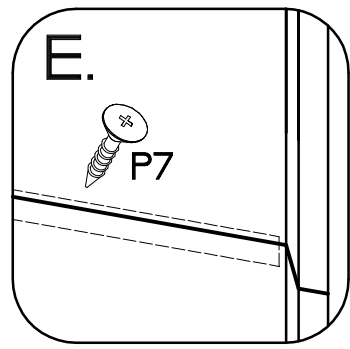
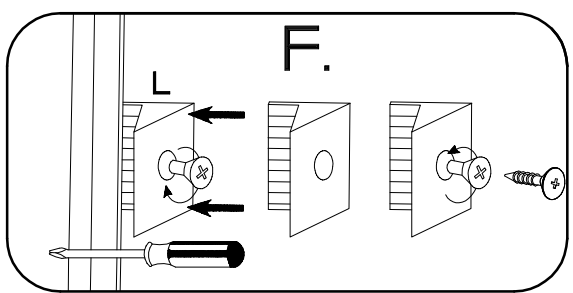
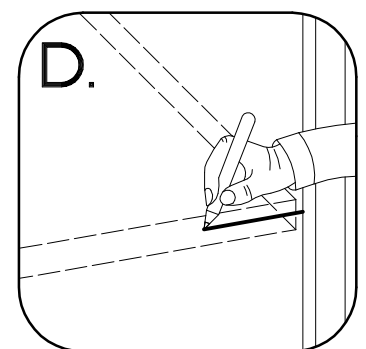
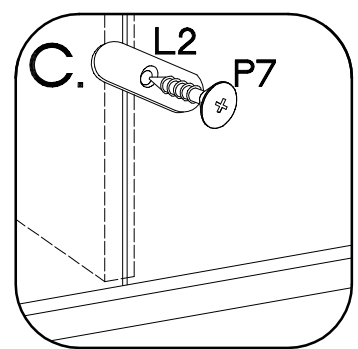
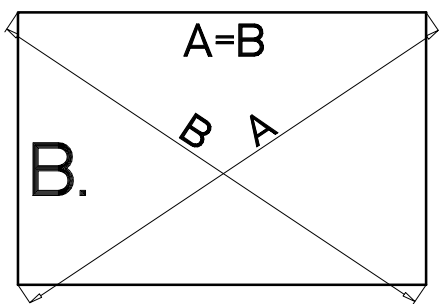
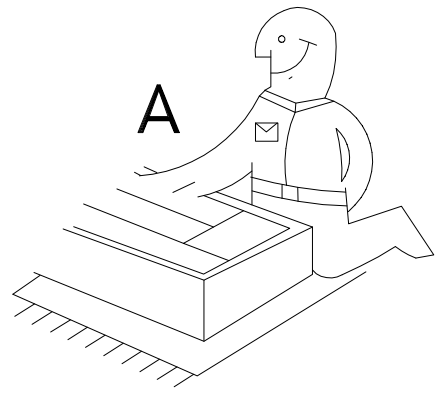
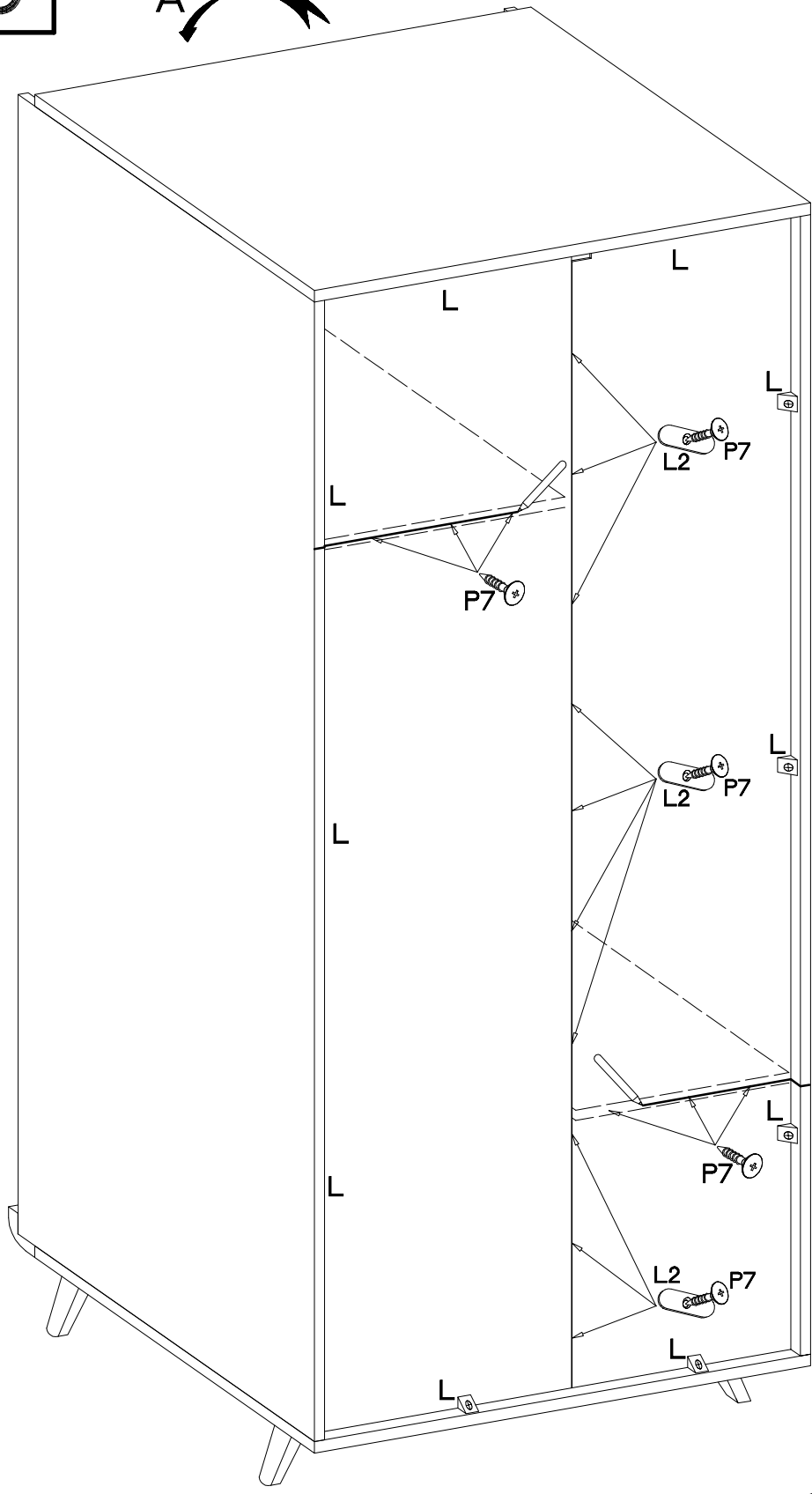


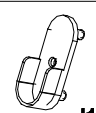



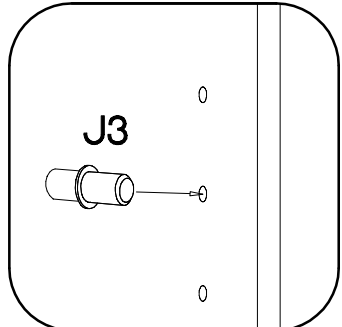
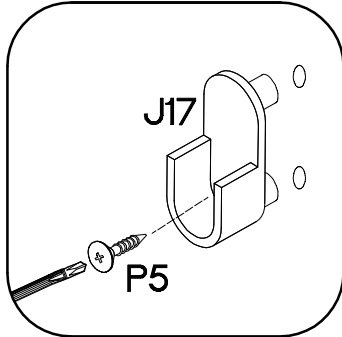
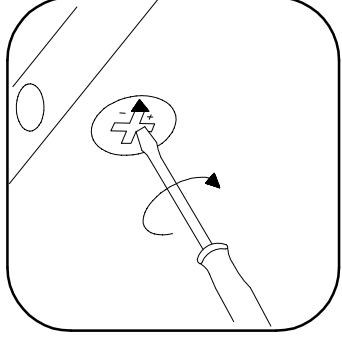
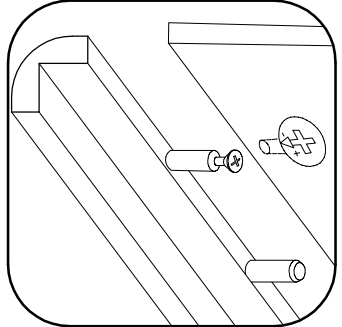
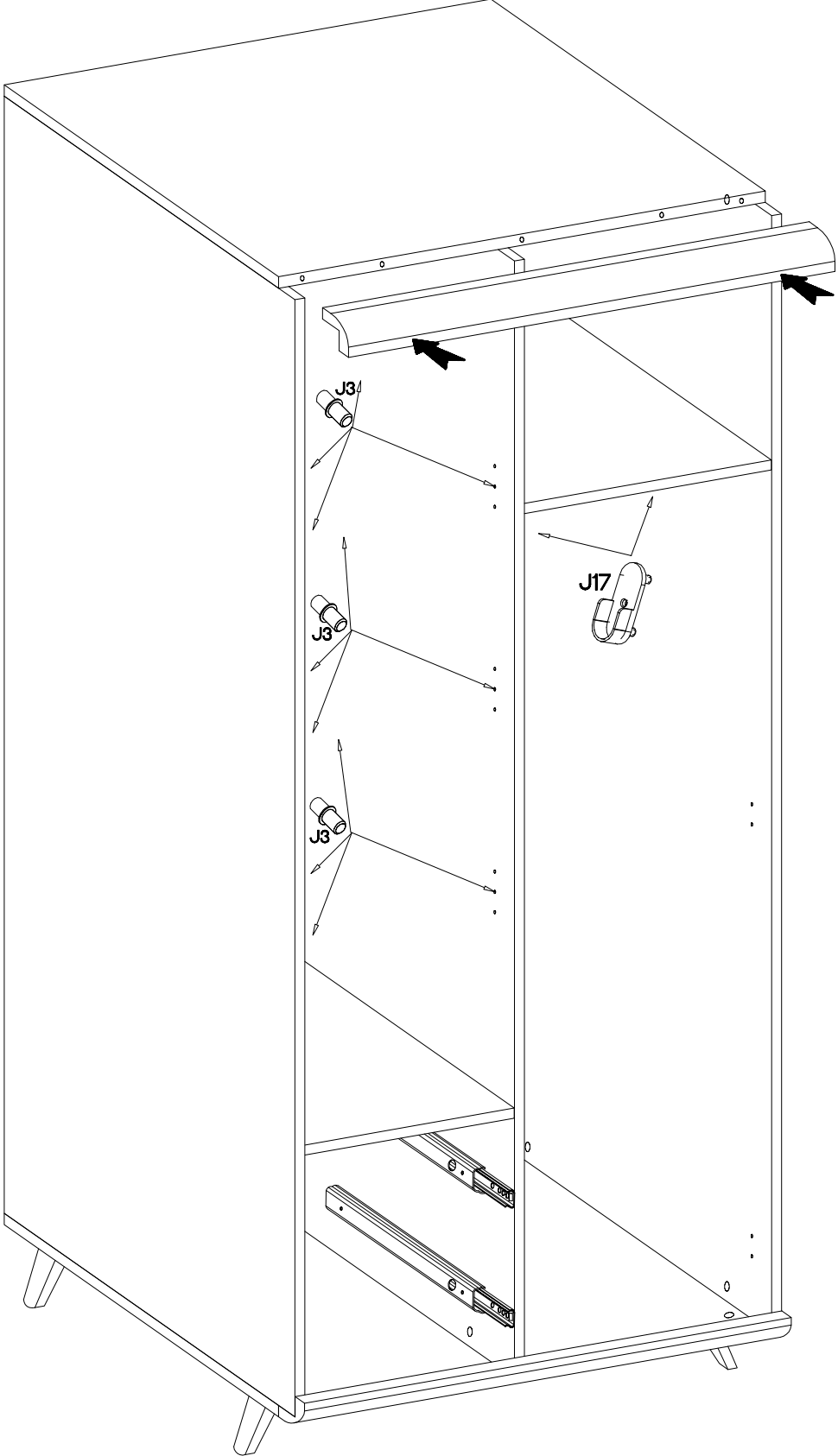
9

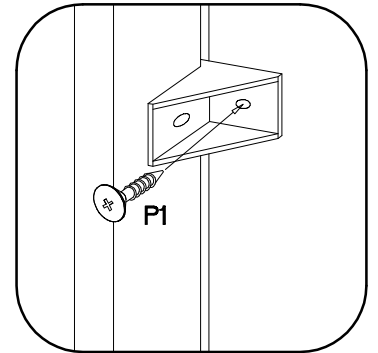
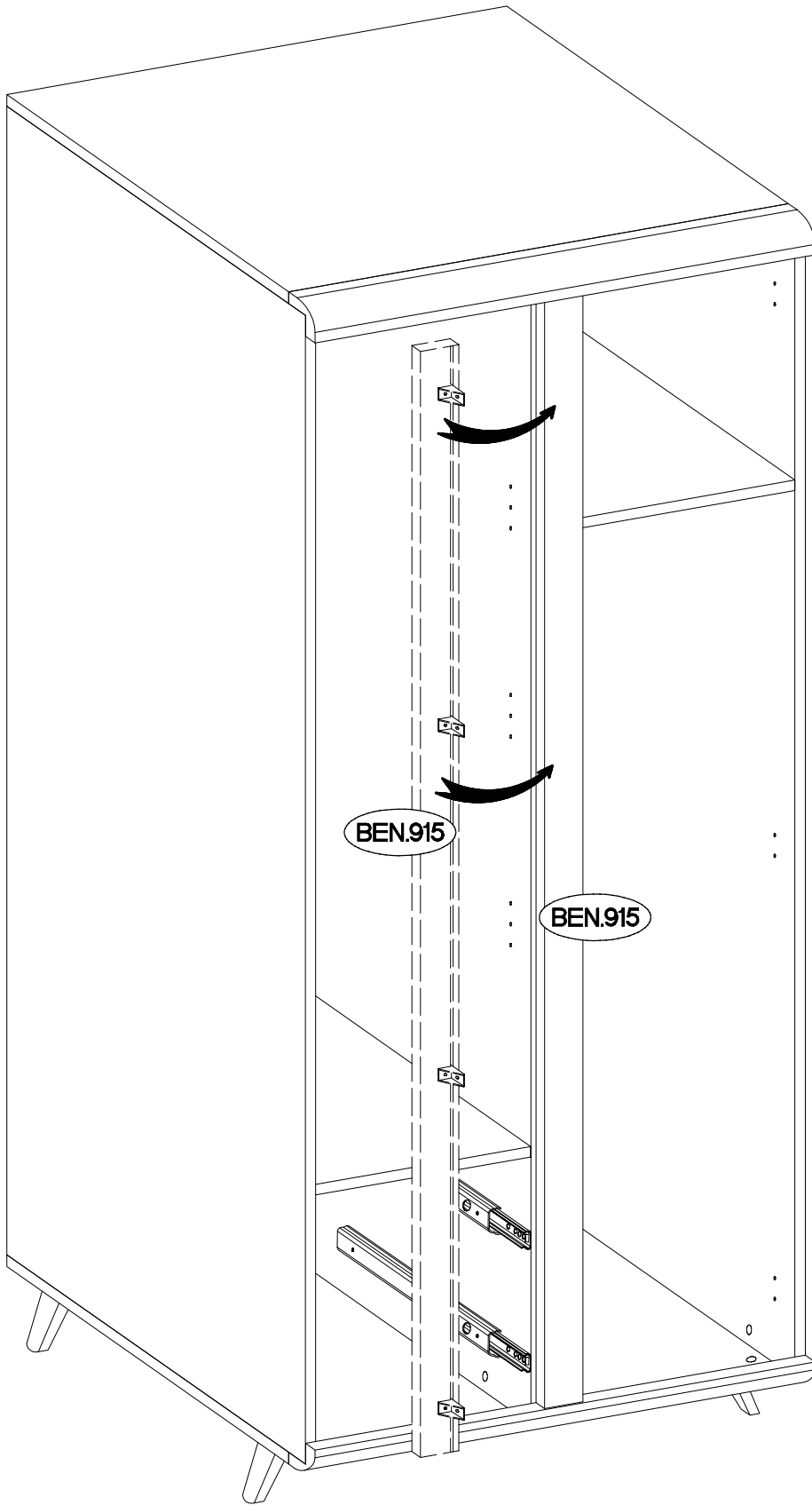
A

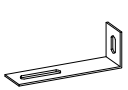


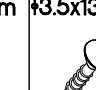
		∅3.0x20mm 
L2	L	P7
10	10	16

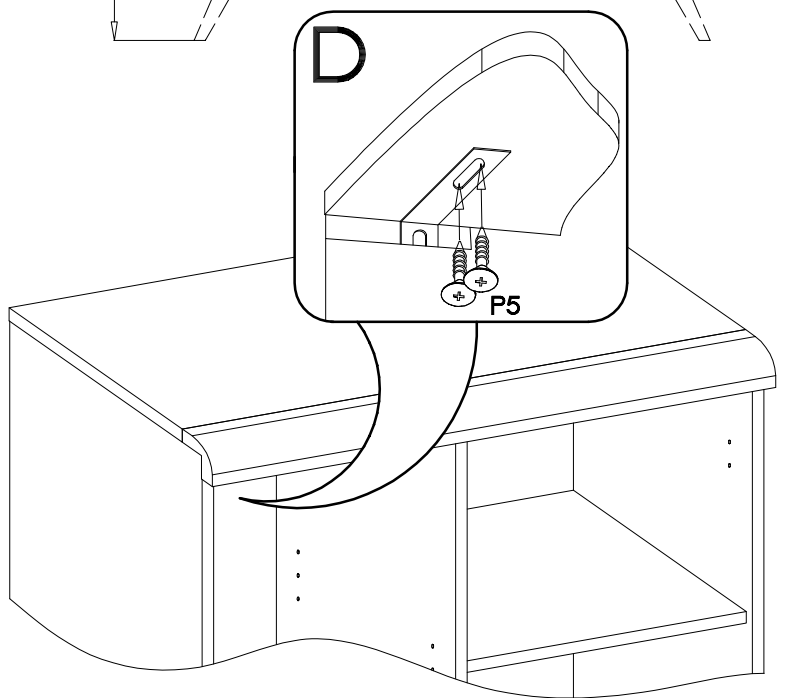
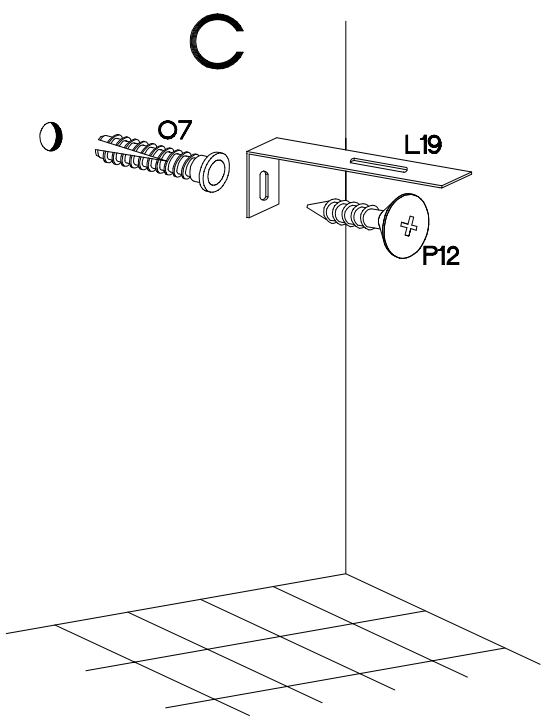
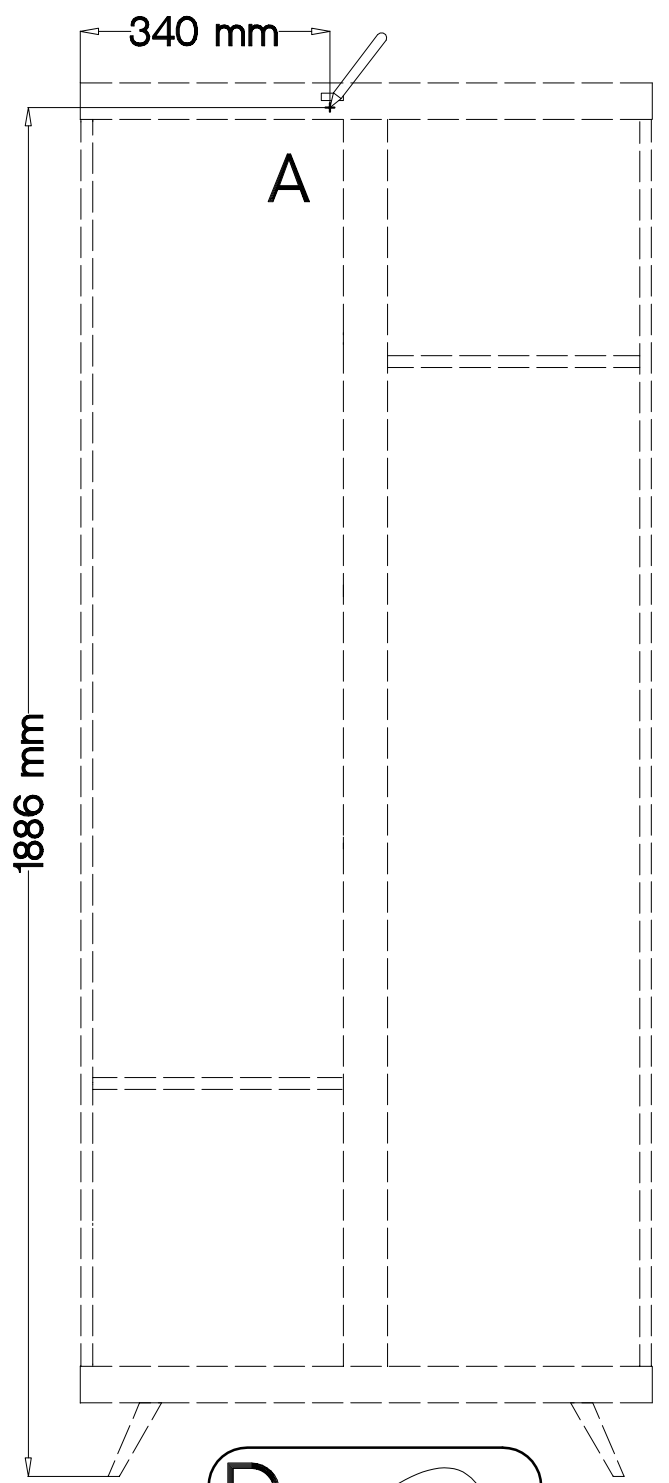
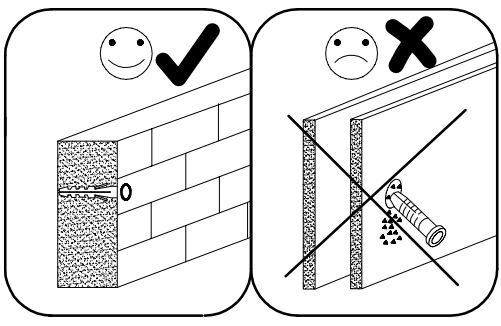
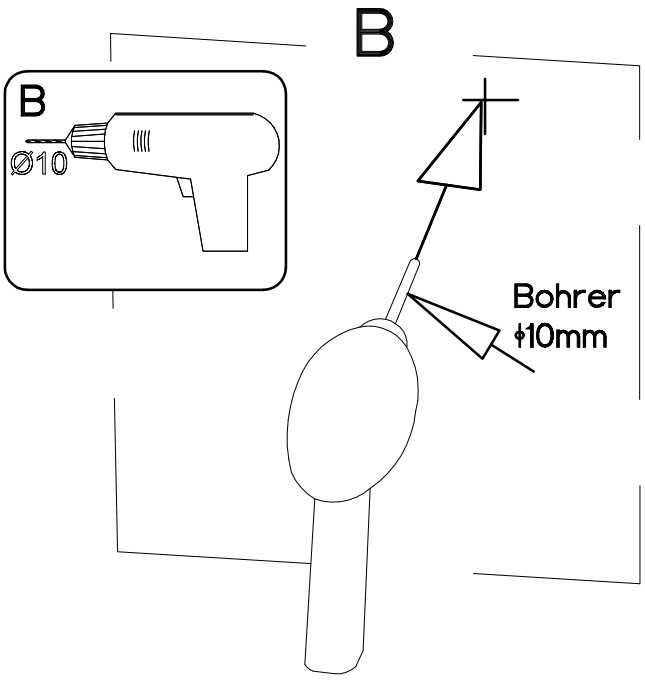


	±3.5x13mm		±5/16mm
J17	P5	E	J3
2	2	26	12

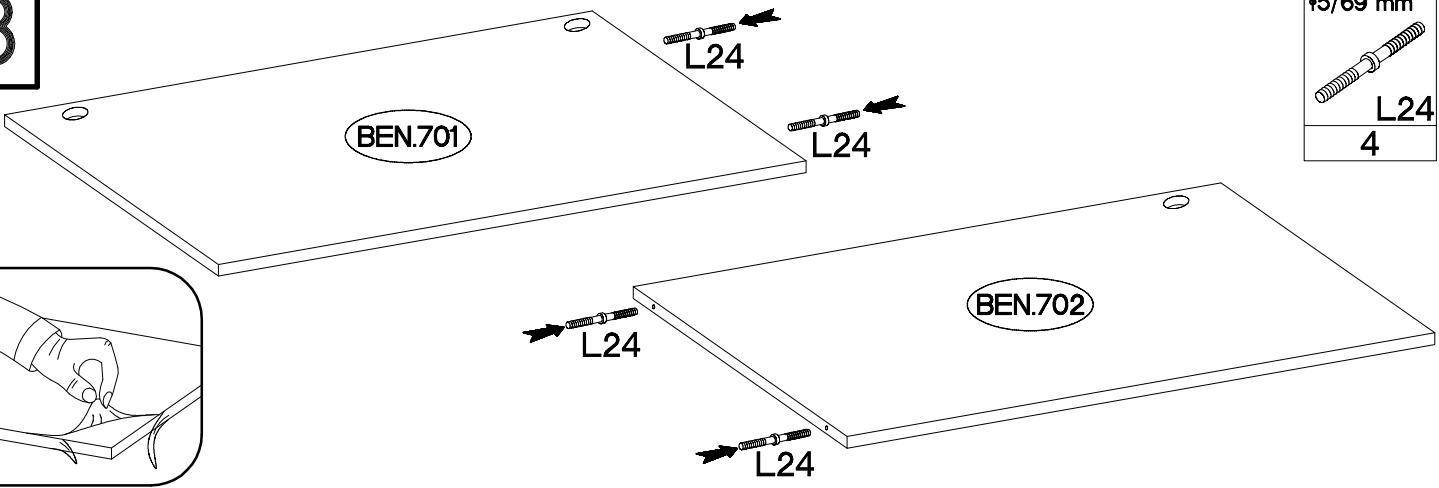


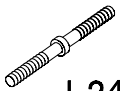


			
L19	O7	P12	P5
1	1	1	2

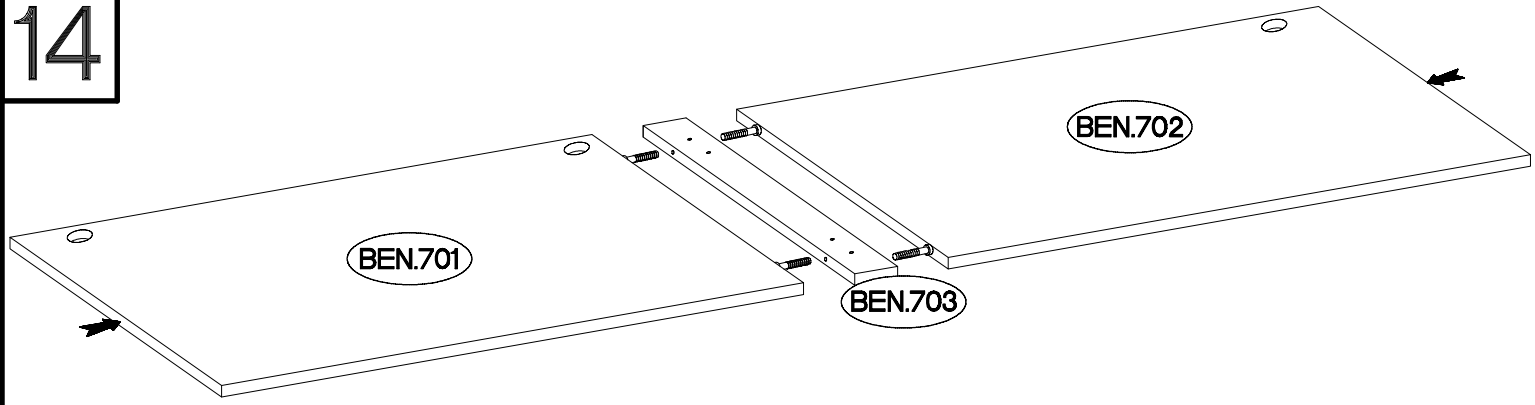


13






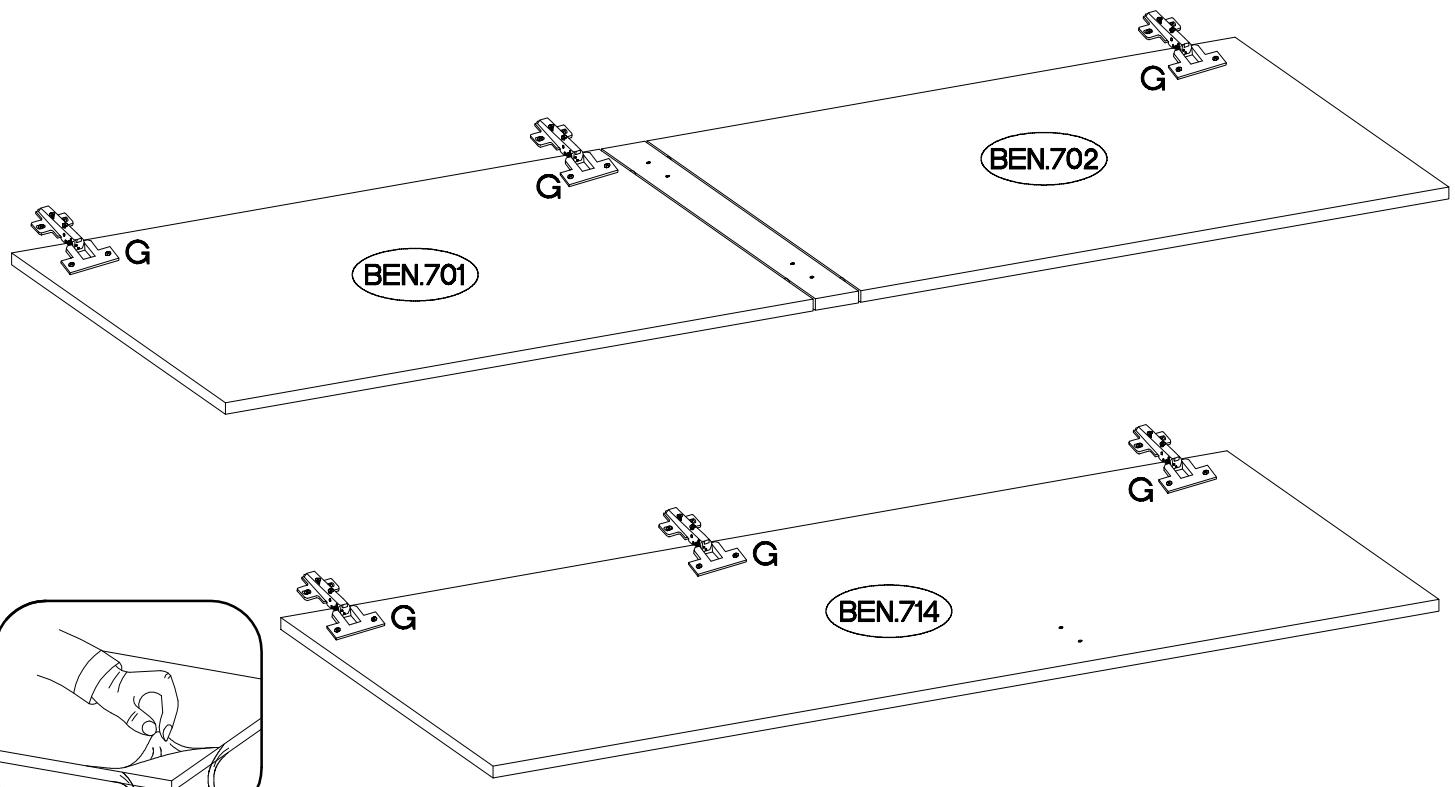
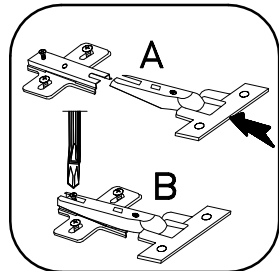
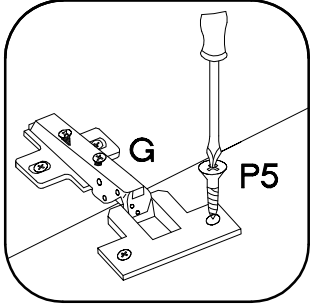
±5/69 mm

L24
4


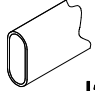


14

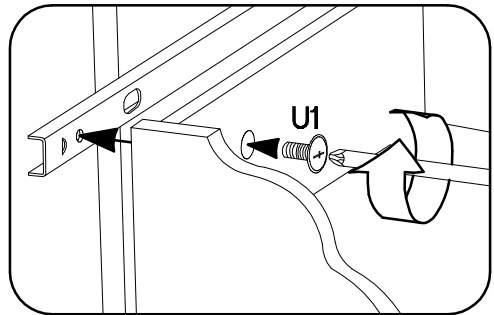
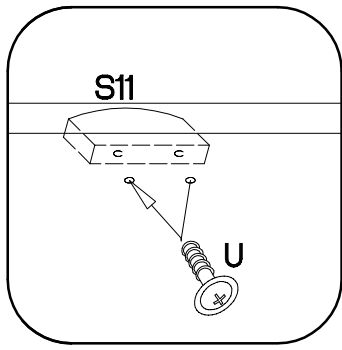
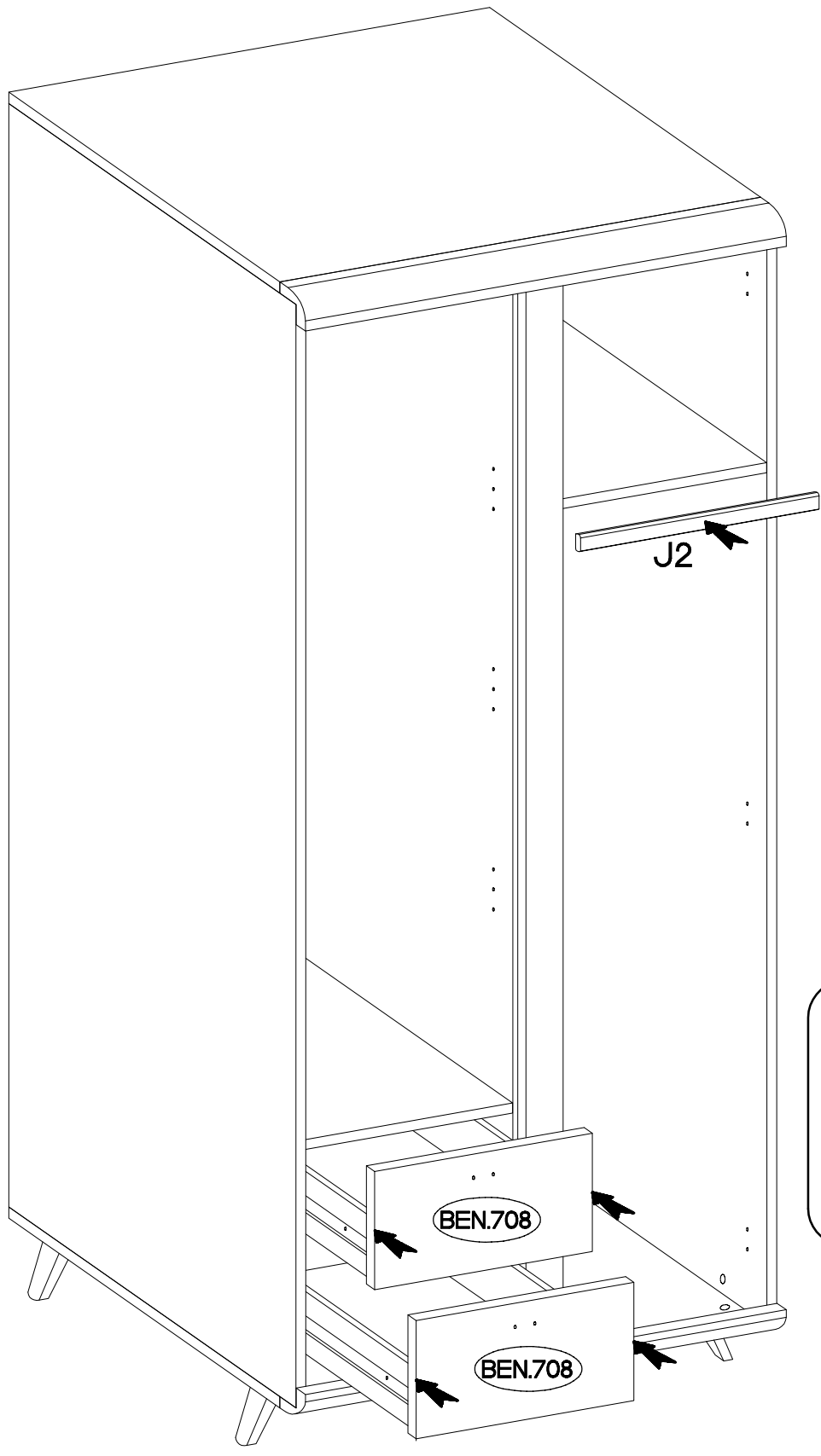
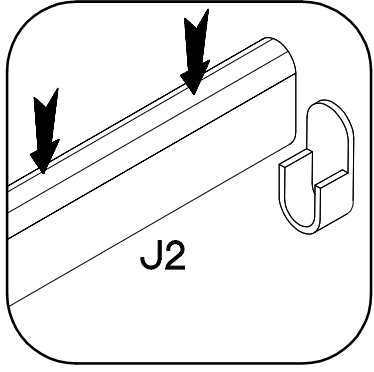


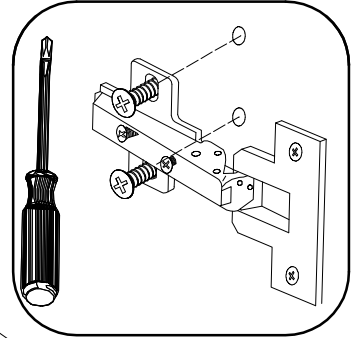
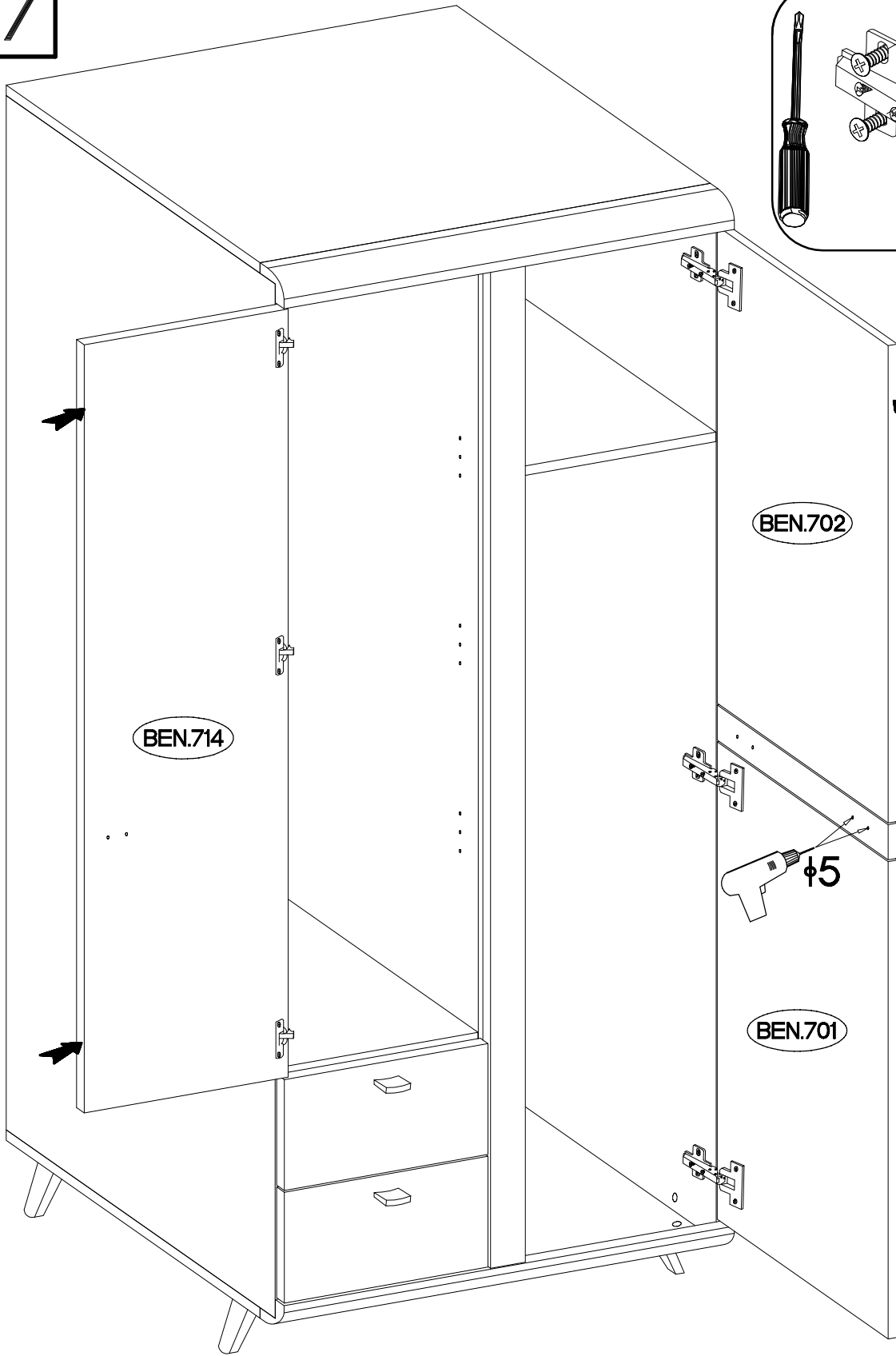
15



		
H=0	±35/0mm	±3.5x13mm
6	6	12
H	G	P5



M4x9mm  U1 4	L=387mm  J2 1	M4x22mm  U 4	L=32mm  S11 2
---	--	---	--





M4x22mm
 U
4
L=32mm
 S11
2

