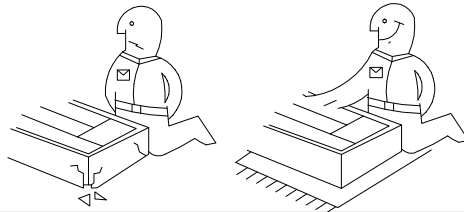
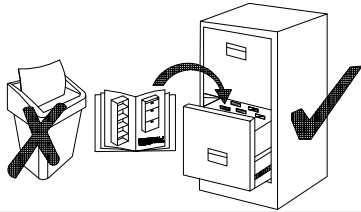
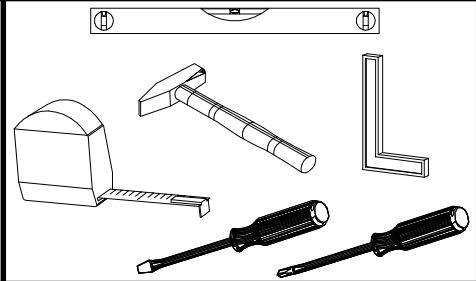
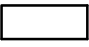
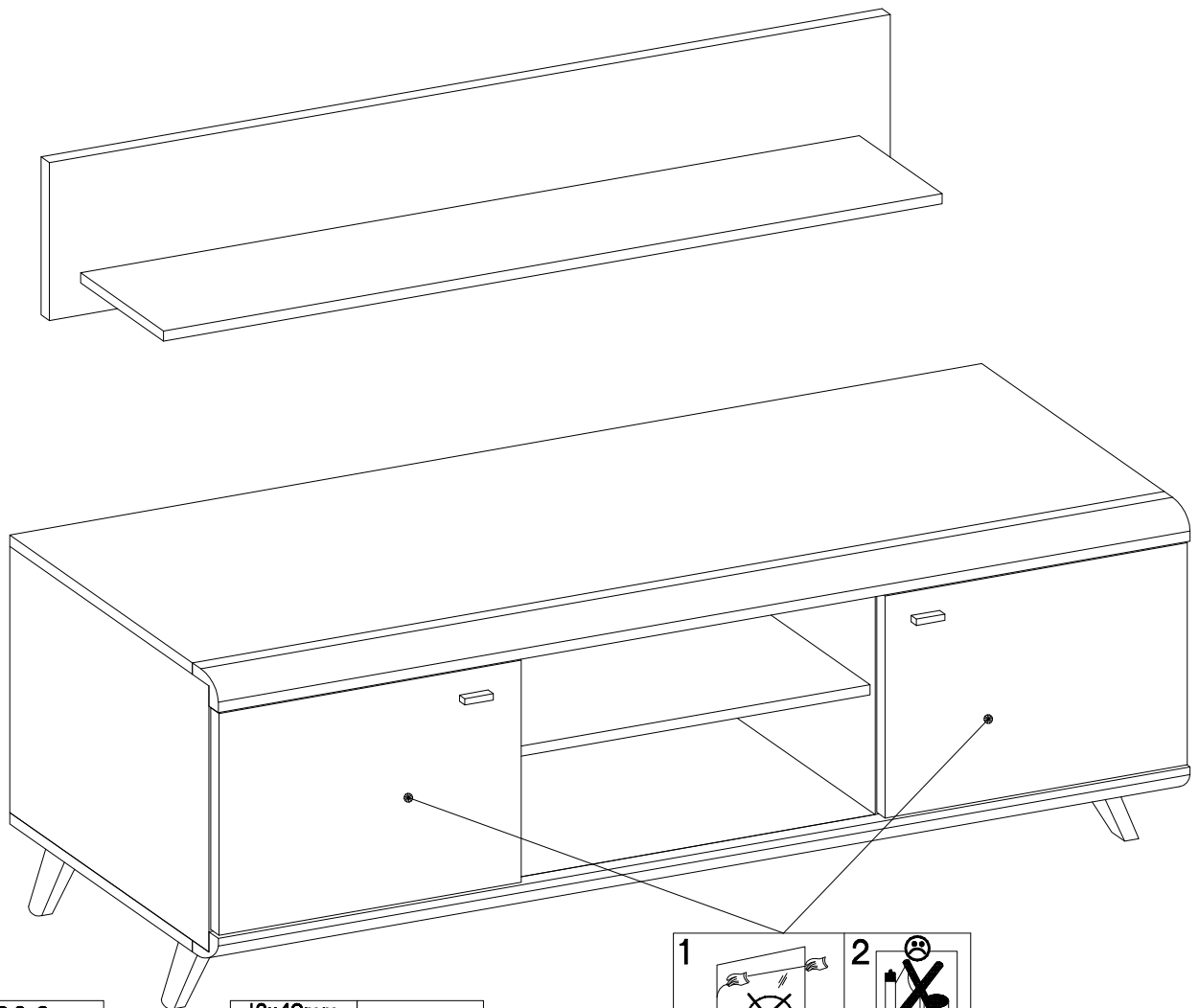


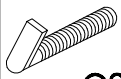



# BERGEN

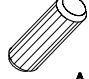



## 02

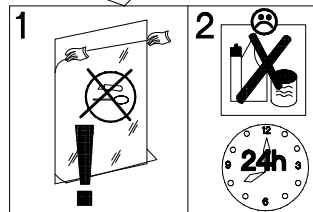



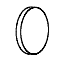
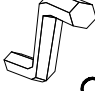


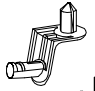
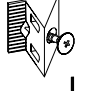



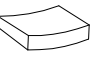



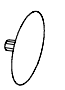
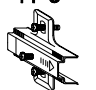
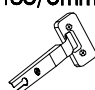


ARWH 02 



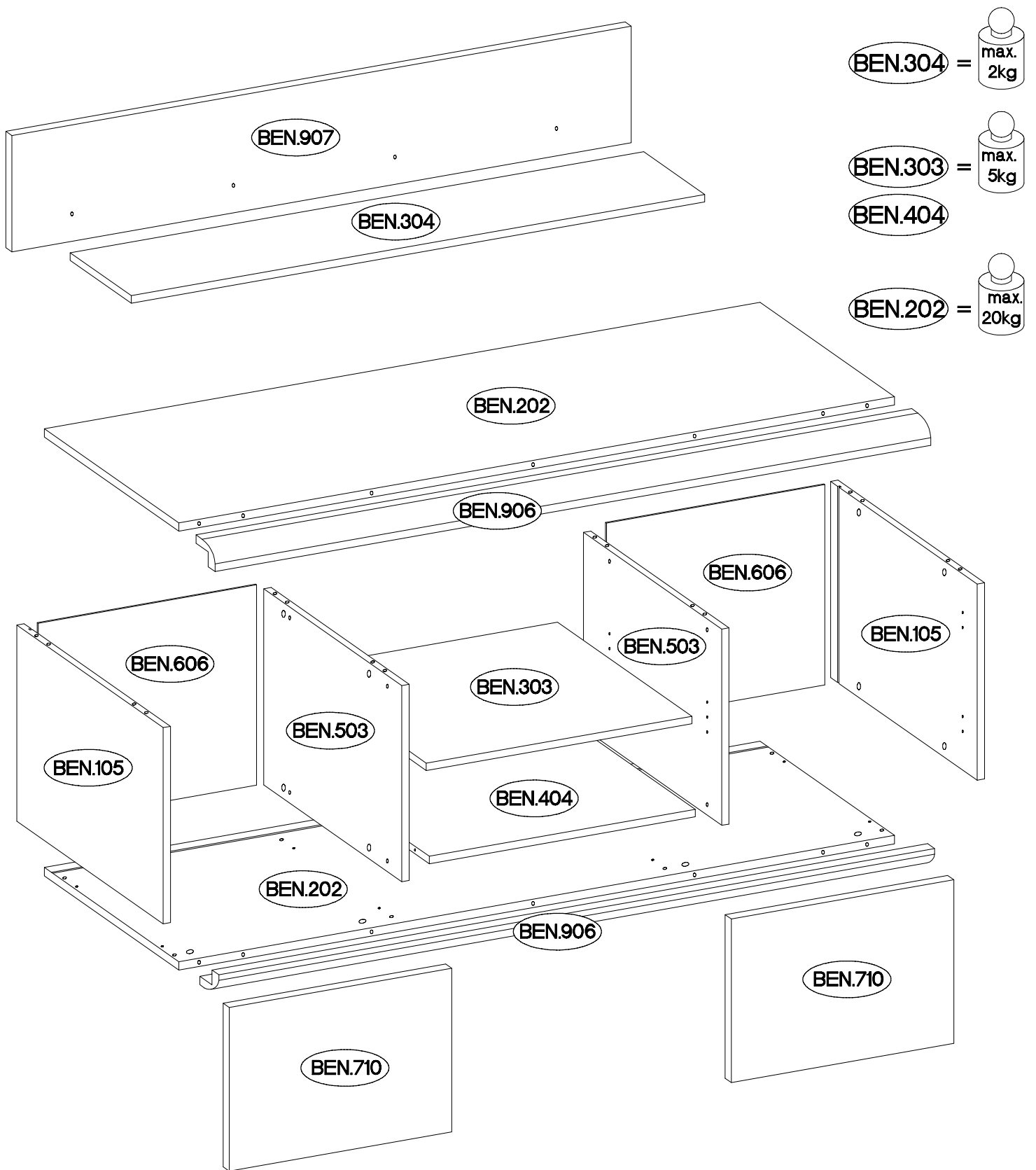
5/45mm  O3 2	+6,3x9mm  M4 4
+10x50mm  O7 2	+7/2mm  J5 2

+8x40mm  A5 6	 K7 2
 E1 4	6,4 x 50mm  B 8



 O7 2	 J5 2	 O 1	 E1 4	6,4 x 50mm  B 8	+5  J1 4	 L 6	+3.0x20mm  P7 6	+3.5x13mm  P5 8	M4x22mm  U 4	L=32mm  S11 2
+15/12mm  C 24	L=20mm  D2 24	+8x30mm  A 16	 E 24	H=0  H 4	+35/0mm  G 4	 F13 6	+4.0x16mm  P1 18			

ISM-BEN-03



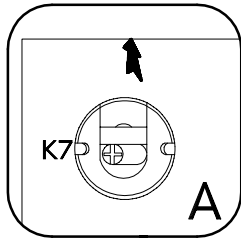
Coli	Ersatzteil Nummer	Dimension	Coli	Ersatzteil Nummer	Dimension
1/2	BEN.105	421x384x16 x2	2/2	BEN.202	1560x352,5x18 x2
	BEN.303	579x352x16		BEN.906	1560x50x50 x2
	BEN.404	580x361x16		BEN.304	1250x160x16
	BEN.503	421x362x16 x2		BEN.907	1350x250x16
	BEN.606	430x476x2,5 x2			
	BEN.710	352x485x16 x2			

1

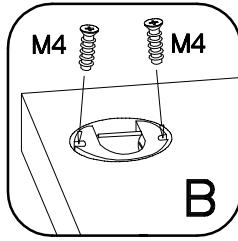


K7

2



A



B

+6,3x9mm

+7/2mm



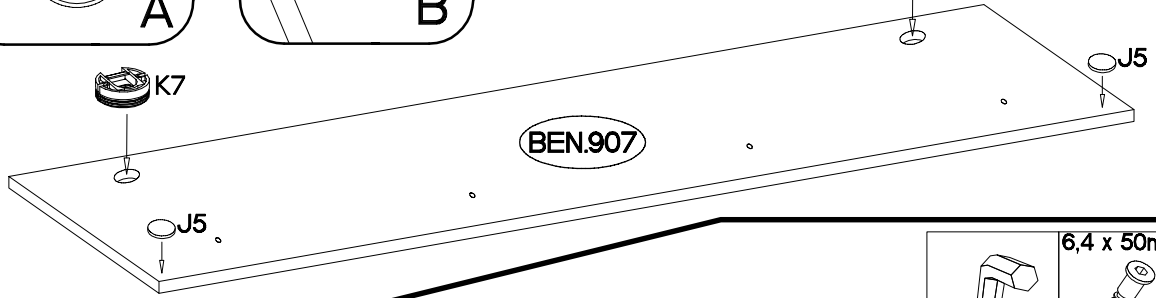
M4

4



J5

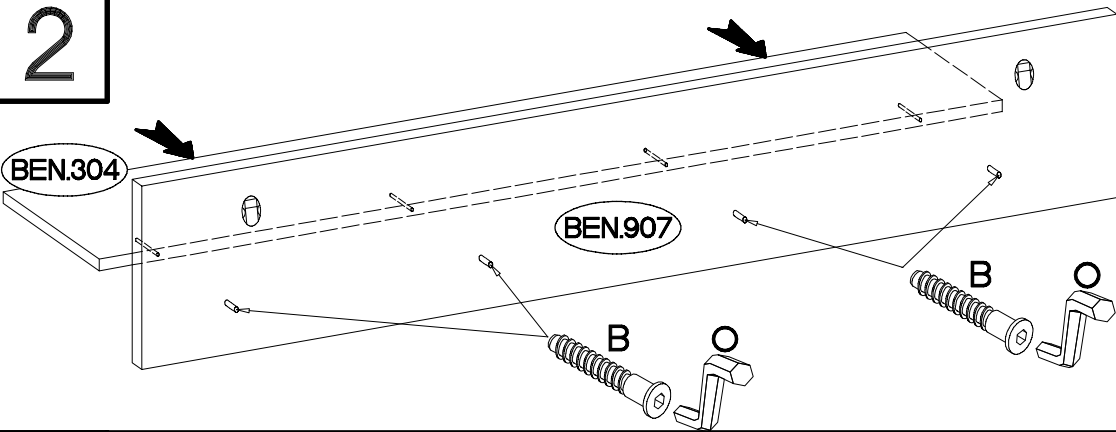
2



BEN.907

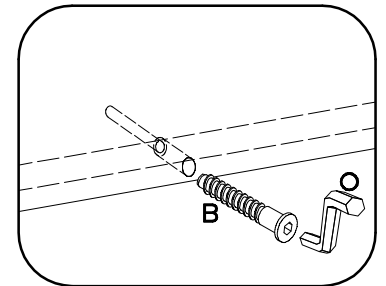
	6,4 x 50mm
O	B
1	4

2

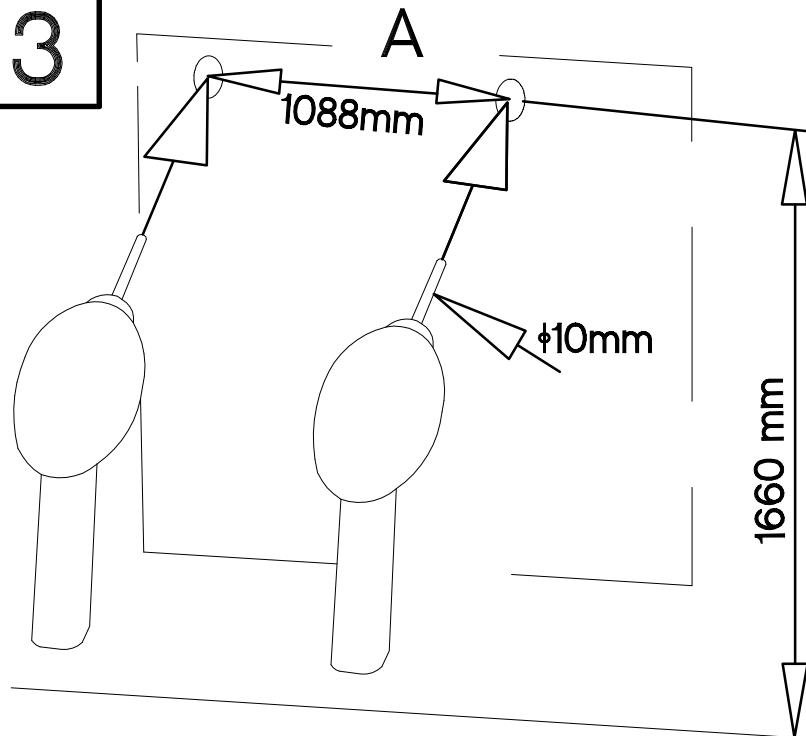


BEN.304

BEN.907



3



A

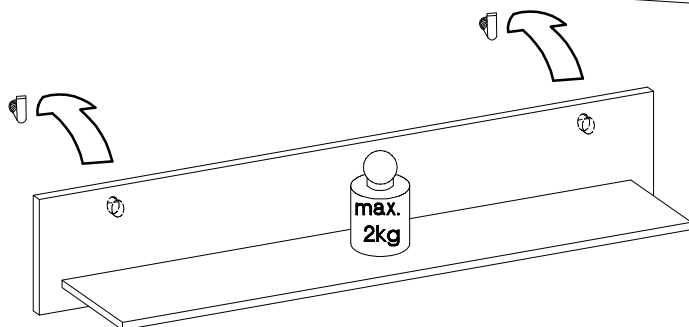
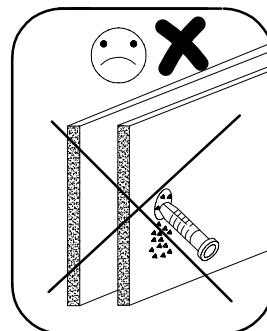
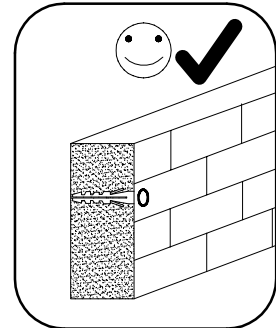
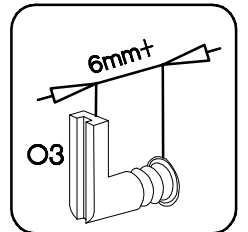
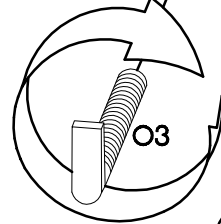
1088mm

10mm

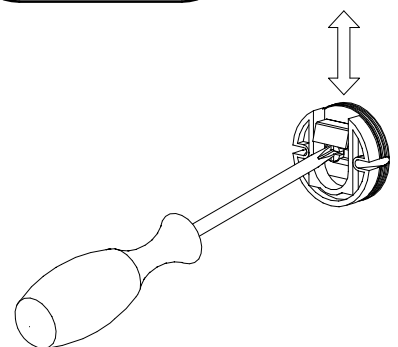
1660 mm

B







	5/45mm		10x50mm
O3	2	O7	2

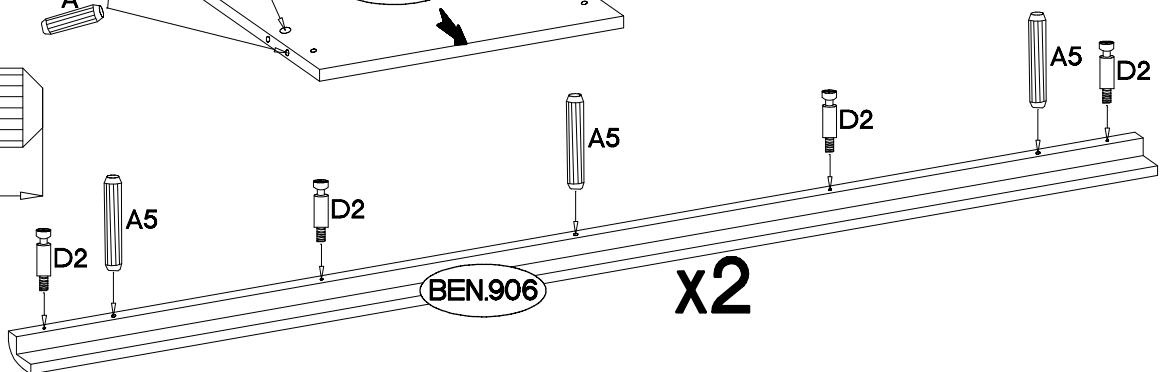
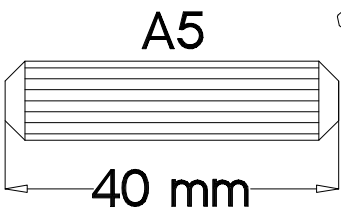
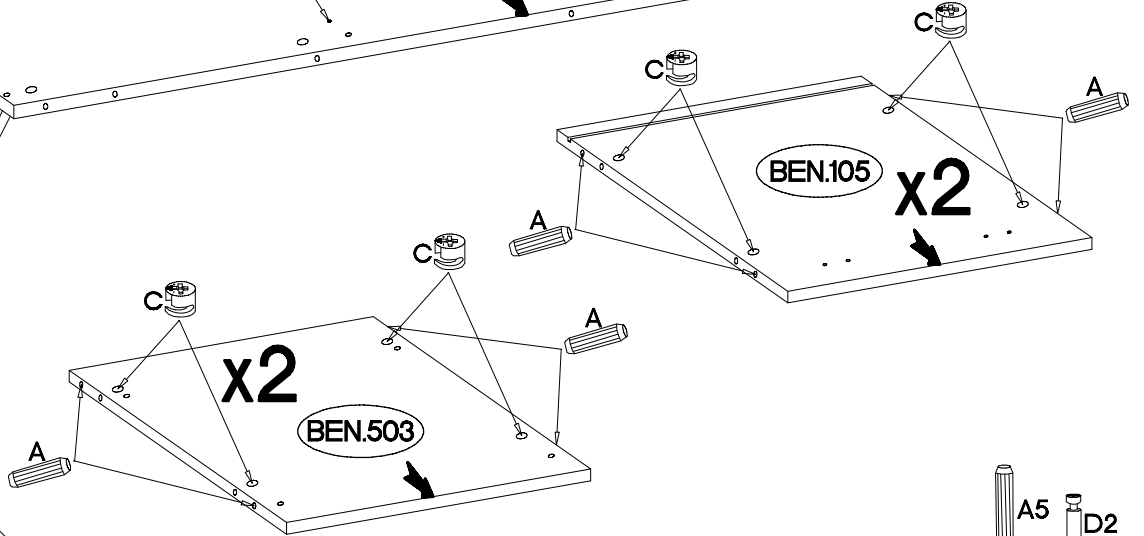
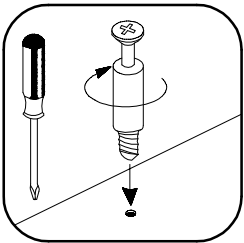
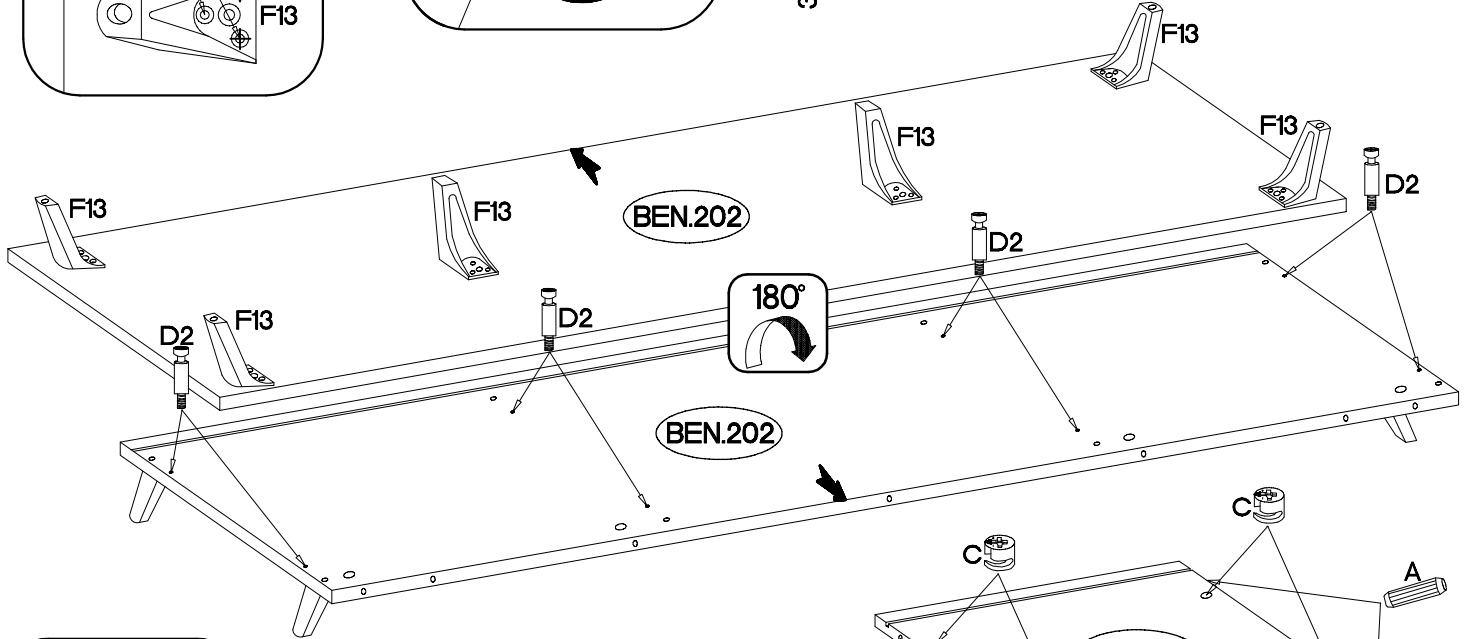
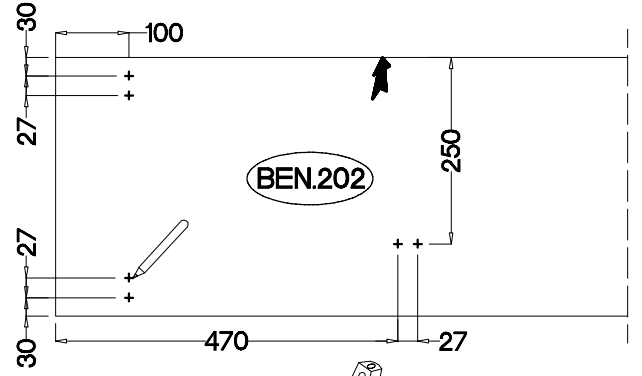
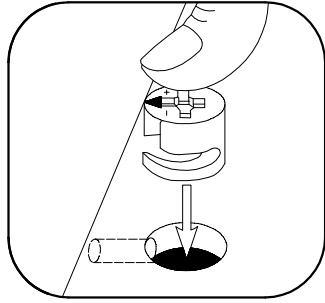
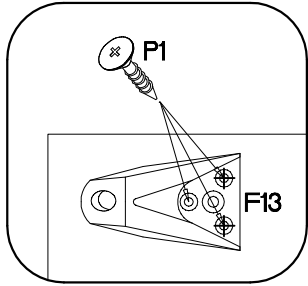
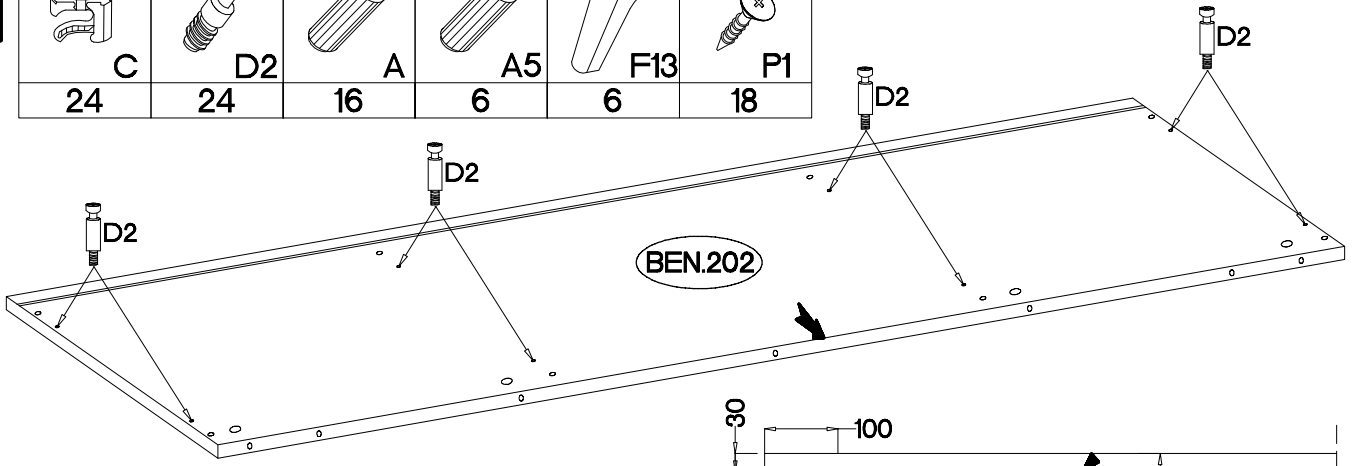


max. 2kg

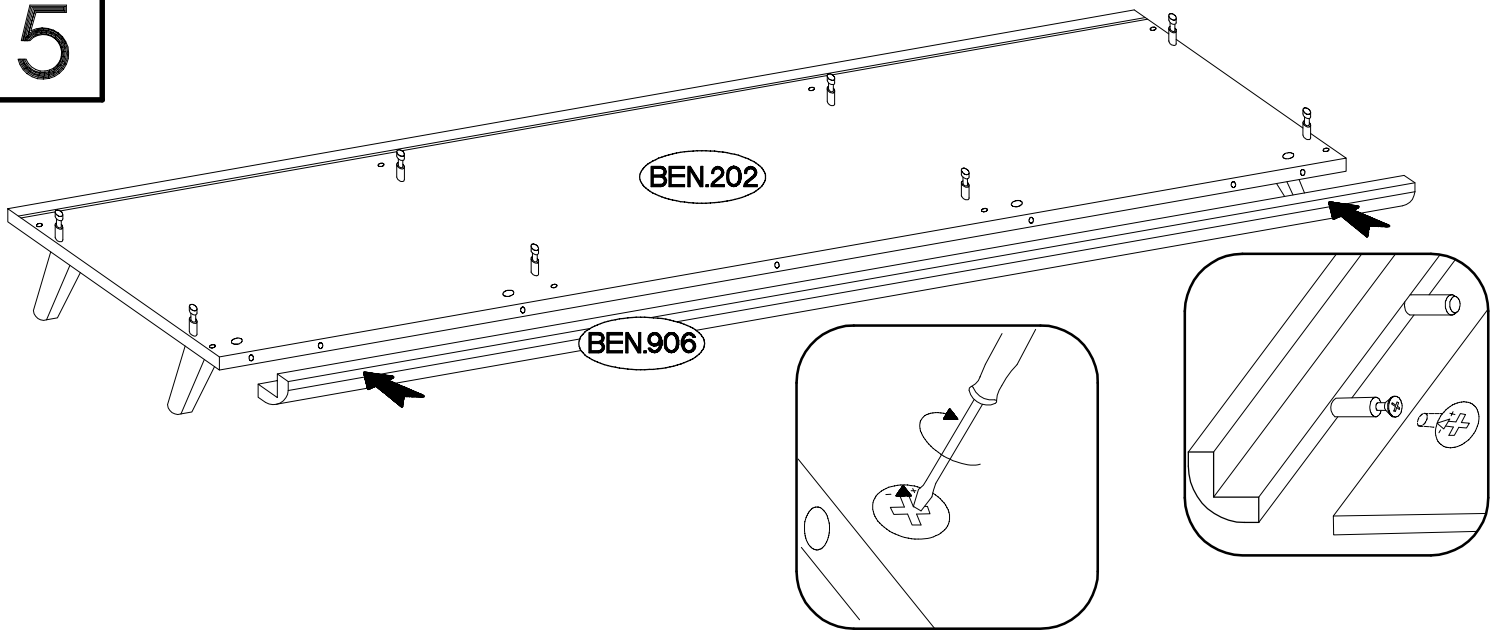


# 4

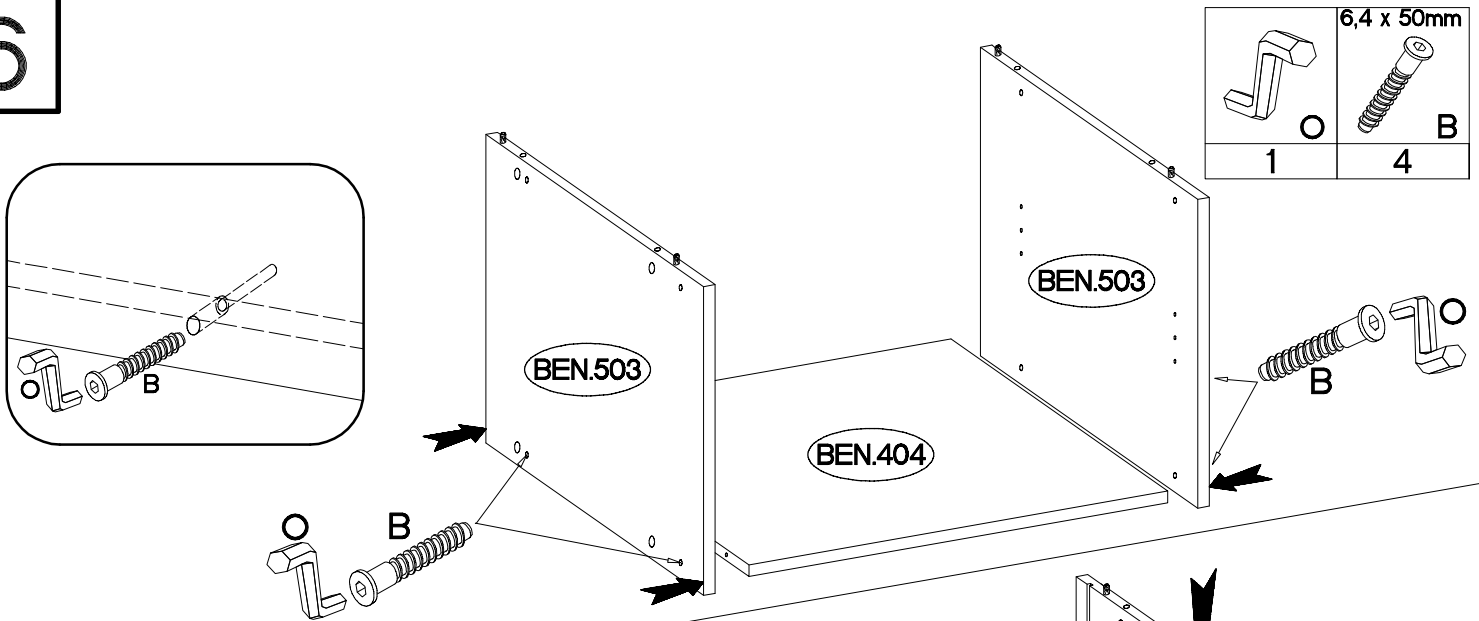
 <b>15/12mm</b> <b>C</b>	 <b>L=20mm</b> <b>D2</b>	 <b>8x30mm</b> <b>A</b>	 <b>8x40mm</b> <b>A5</b>	 <b>F13</b>	 <b>4.0x16mm</b> <b>P1</b>
24	24	16	6	6	18



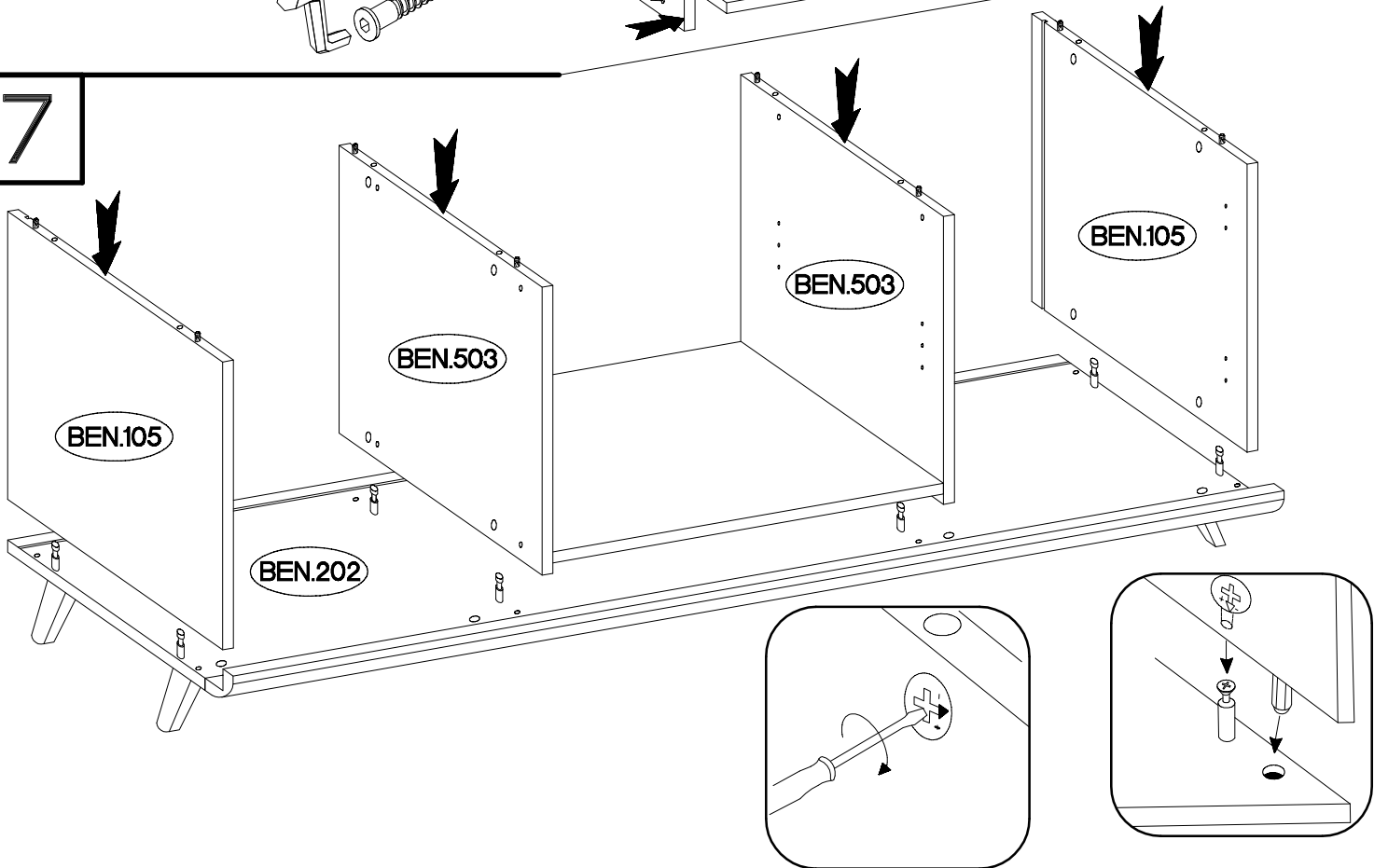
5



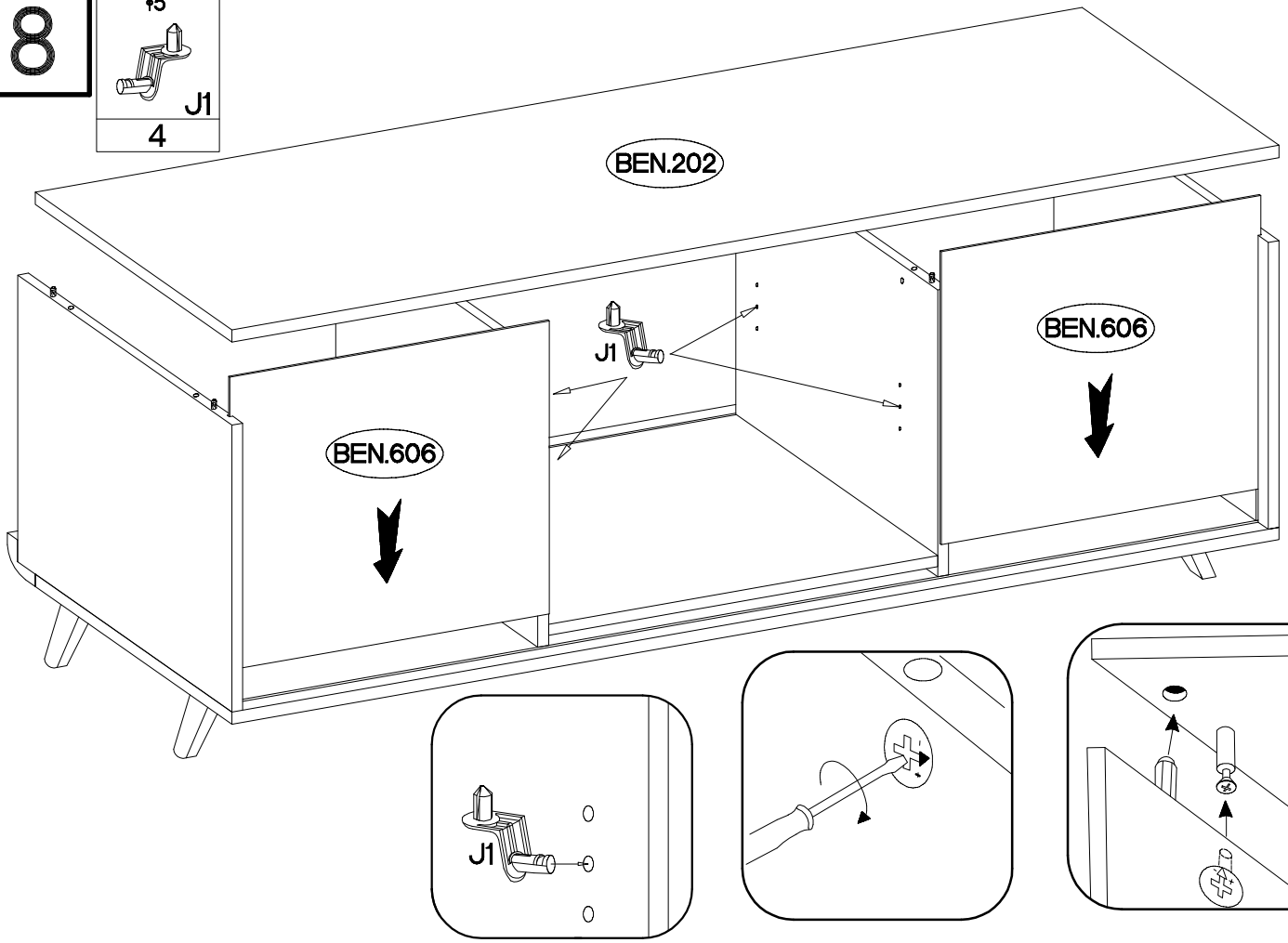
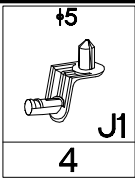
6



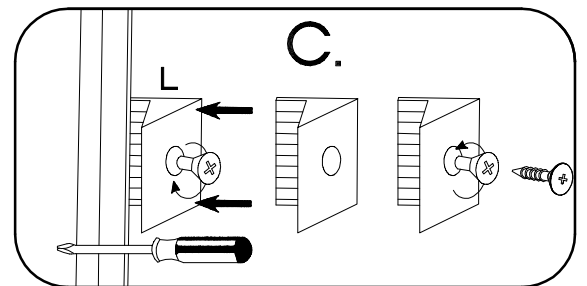
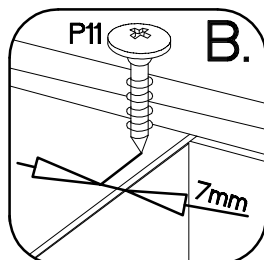
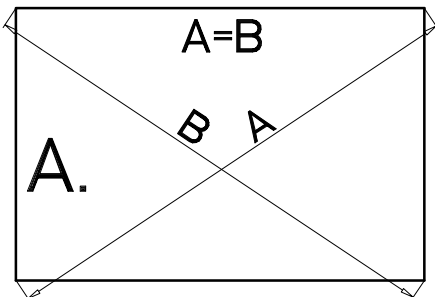
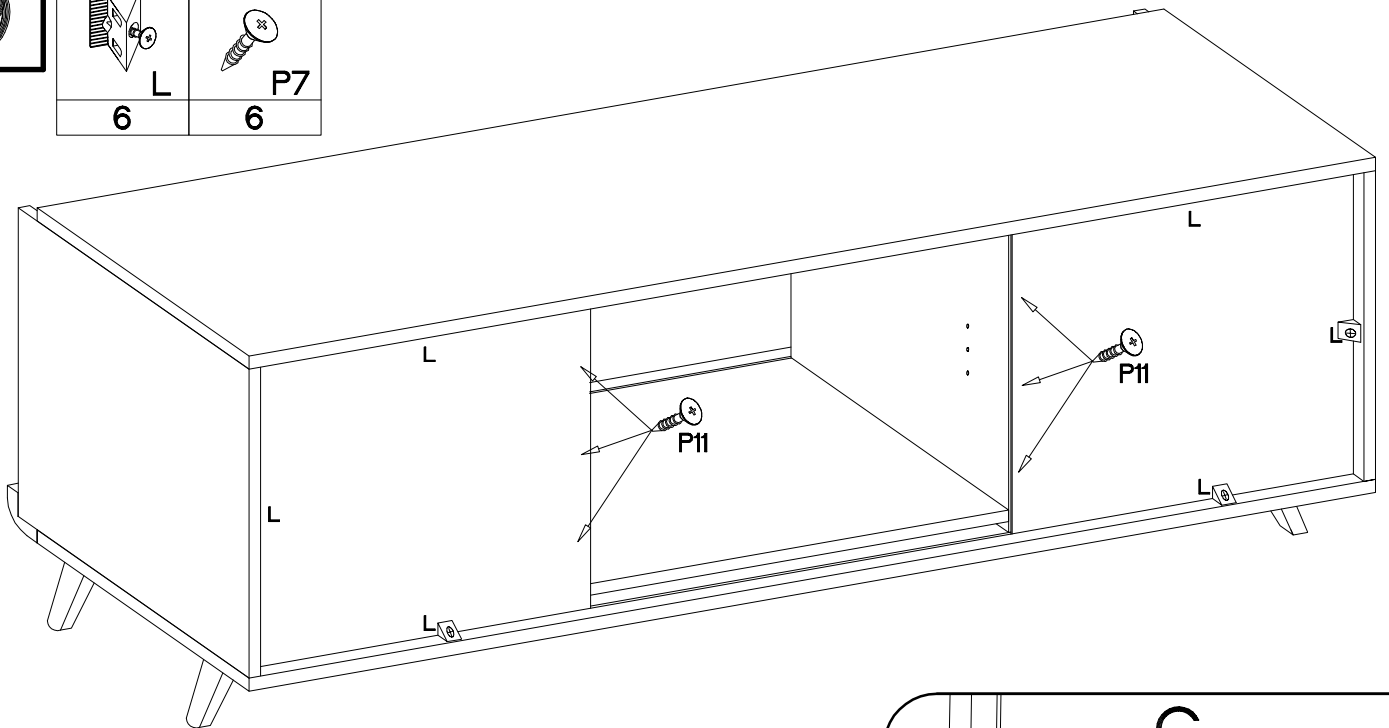
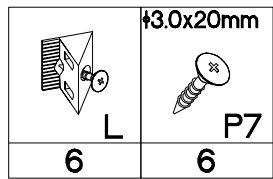
7



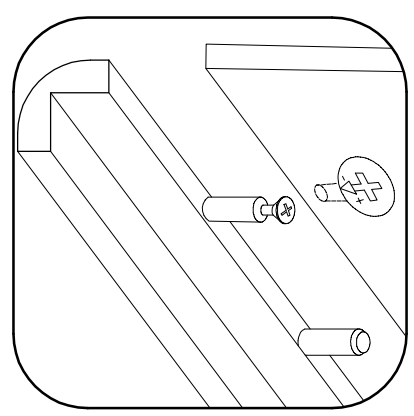
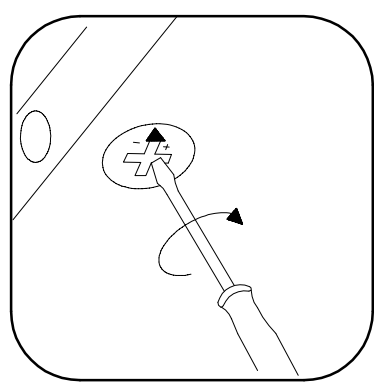
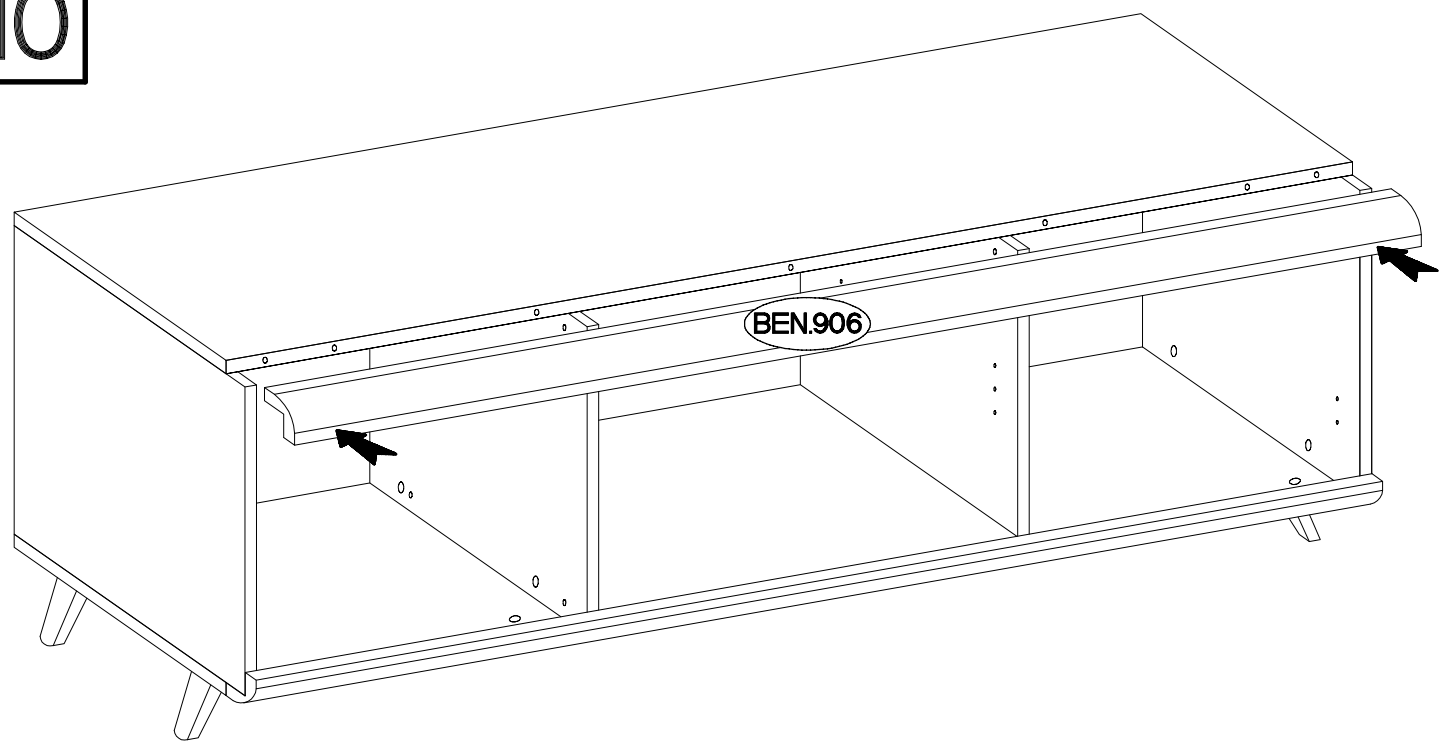
8



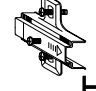
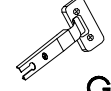

9

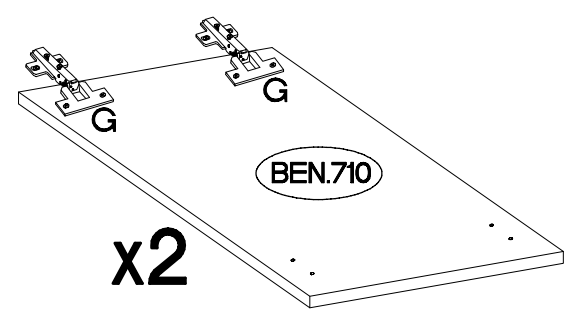
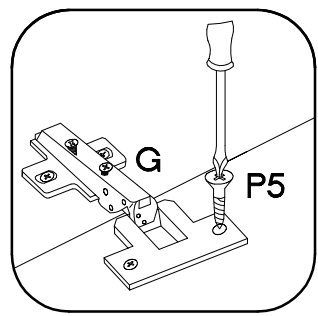
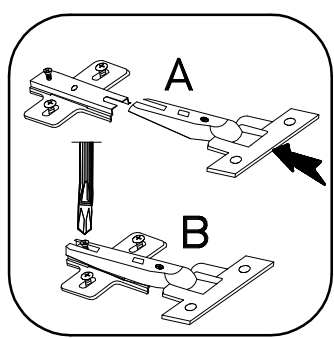





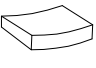
10



11

H=0  H	±35/0mm  G	±3.5x13mm  P5
4	4	8



		M4x22mm 	L=32mm 
E1	E	U	S11
4	24	4	2

