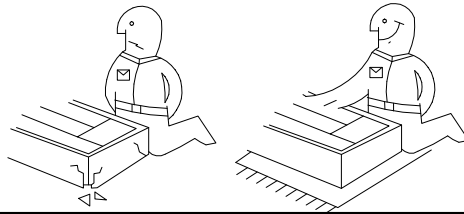
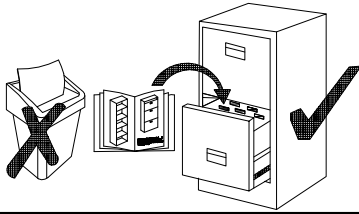
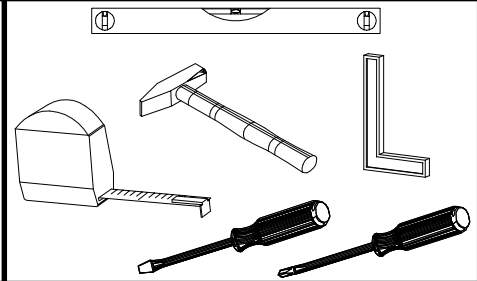
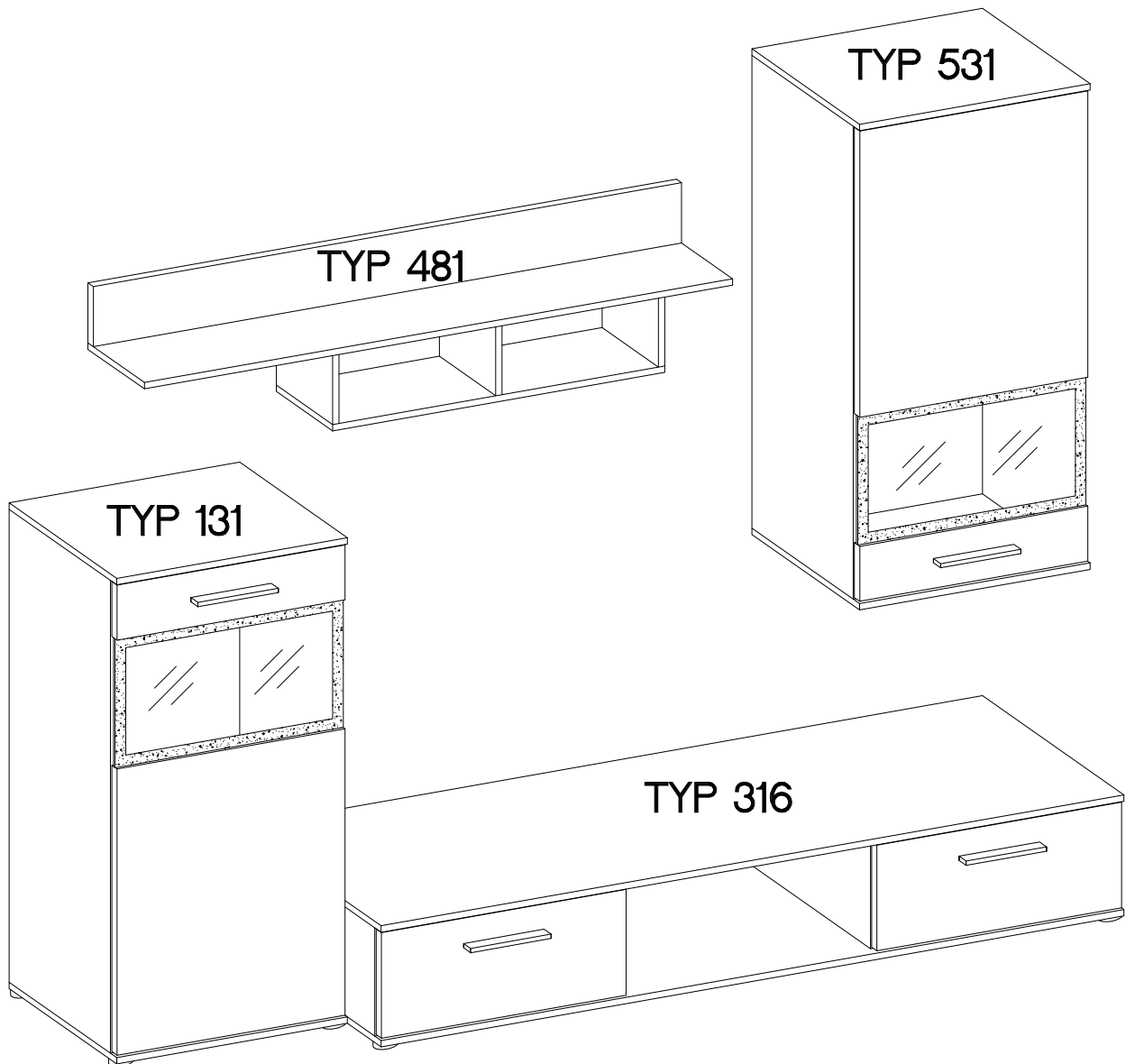


BLUES




- Blues BJ01
- Blues SO01
- Blues WH01

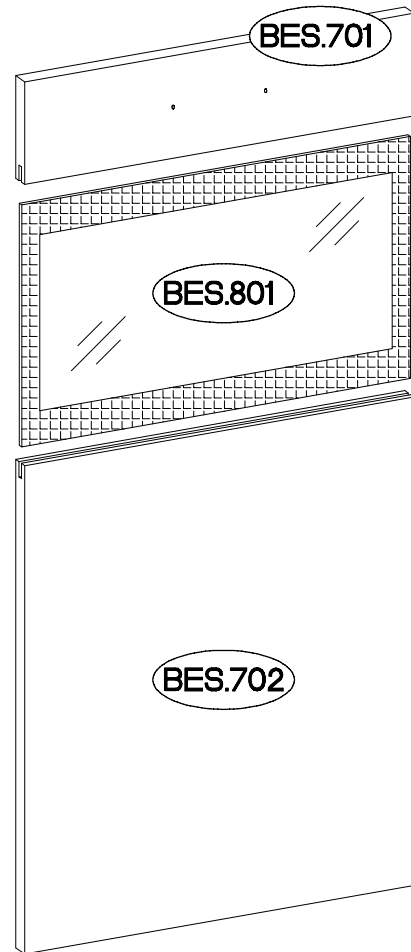
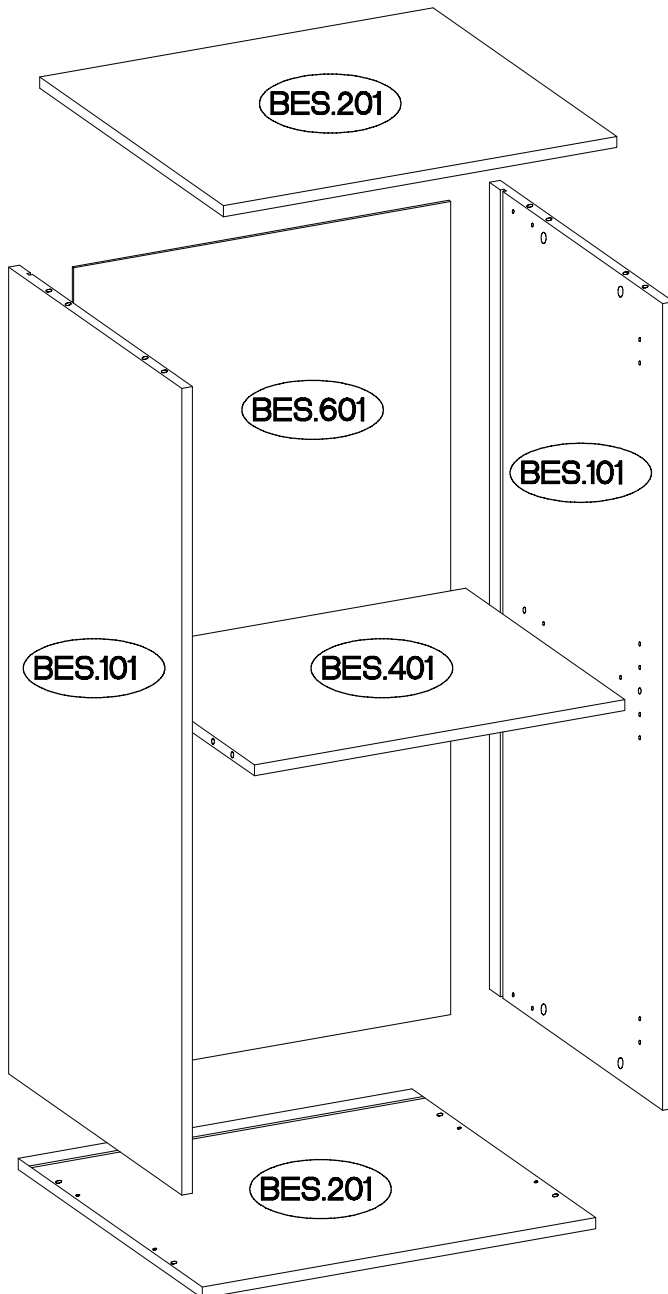
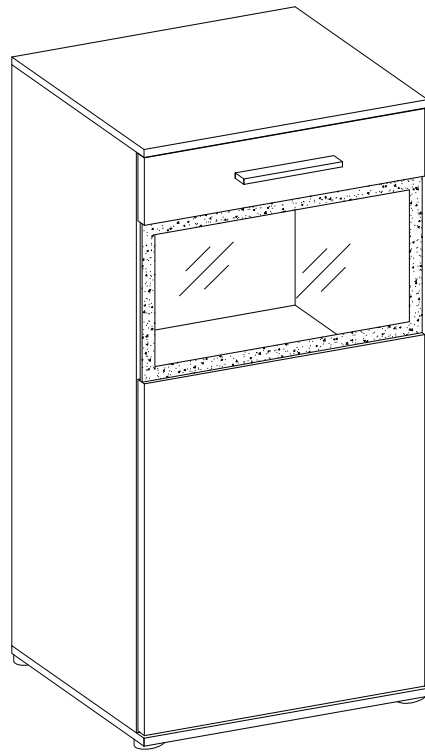
Coli	Ersatzteil Nummer	Dimension	Coli	Ersatzteil Nummer	Dimension
1/2	BES.101 x4	1100x288x15	2/2	BES.102 x2	252x384x15
	BES.201 x4	545x306x15		BES.202 x2	1755x402x15
	BES.401 x2	513x265x15		BES.203	785x175x15
	BES.501 x2	252x362x15		BES.301	1388x160x15
	BES.601 x1	1109x522x2,5		BES.502 x3	160x173x15
	BES.602 x1	1109x522x2,5		BES.603 x2	569x261x2,5
	BES.701 x2	539x140x15		BES.703 x2	578x246x15
	BES.702 x2	539x666x15		BES.901	1390x140x15
	BES.801 x2	330x538x4			


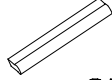



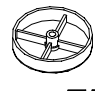
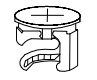
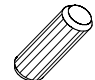
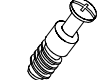
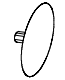
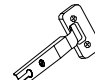
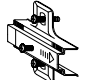
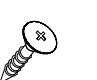

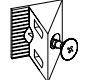



1





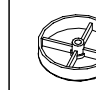
BLUES TYP 131

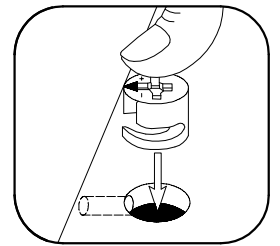
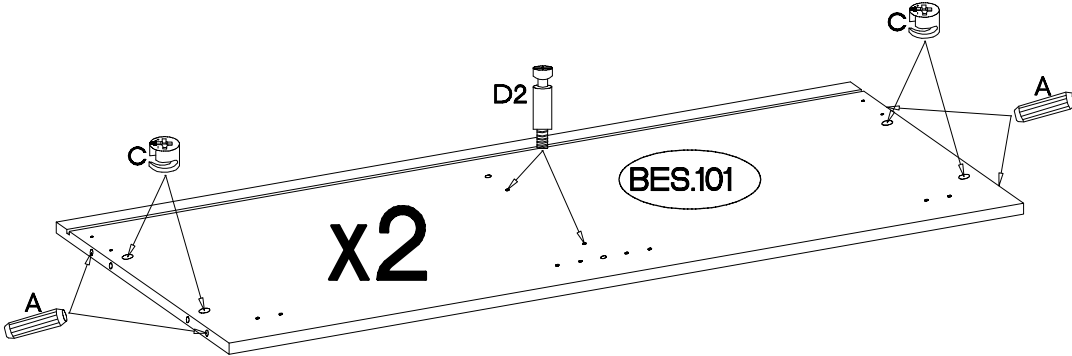
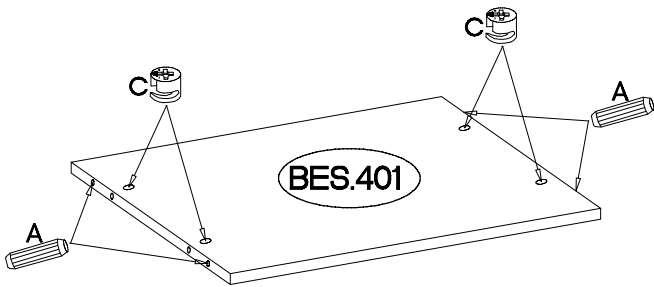
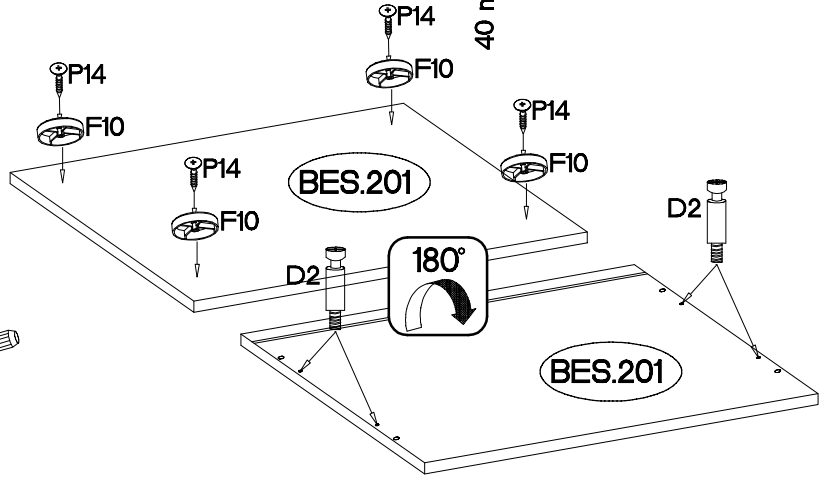
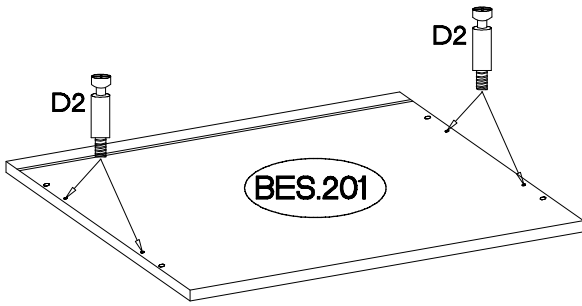
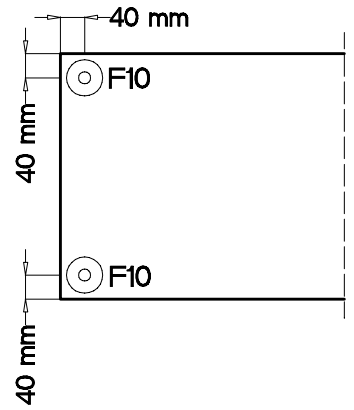
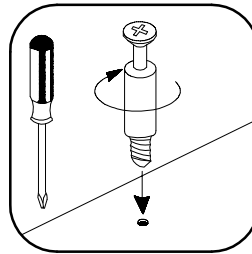
BES.401 =  max. 5kg



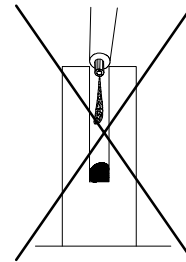
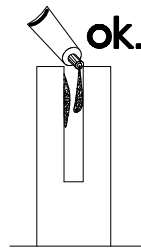
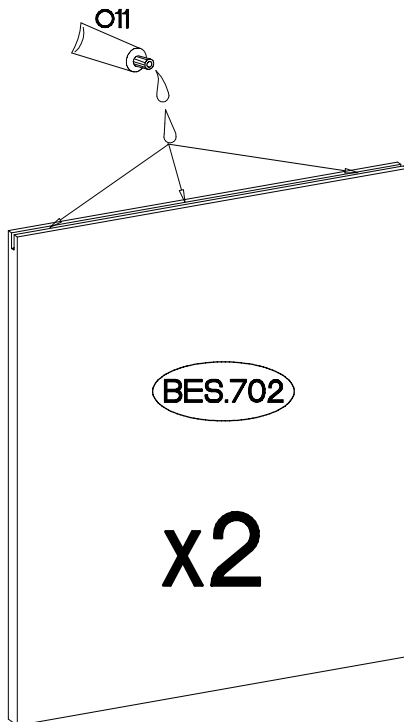
 R2	 S11	 O7	 L9	 P14	 F10				
2	1	1	1	4	4				
 C	 A	 D2	 E	 G	 H	 P5	 O11	 L	 P7
12	12	12	12	3	3	7	1	10	3

2

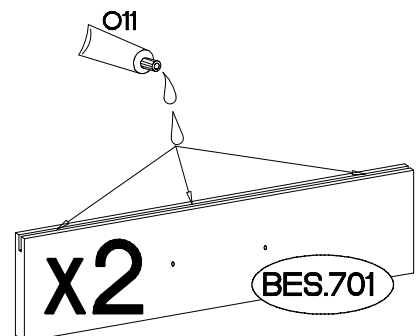
 #15/12mm C 12	 #8x30mm A 12	 L=20mm D2 12	 #4.0x25mm P14 4	 F10 4
---	--	--	---	--




3



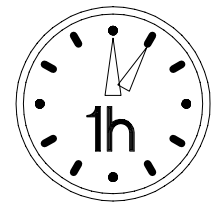
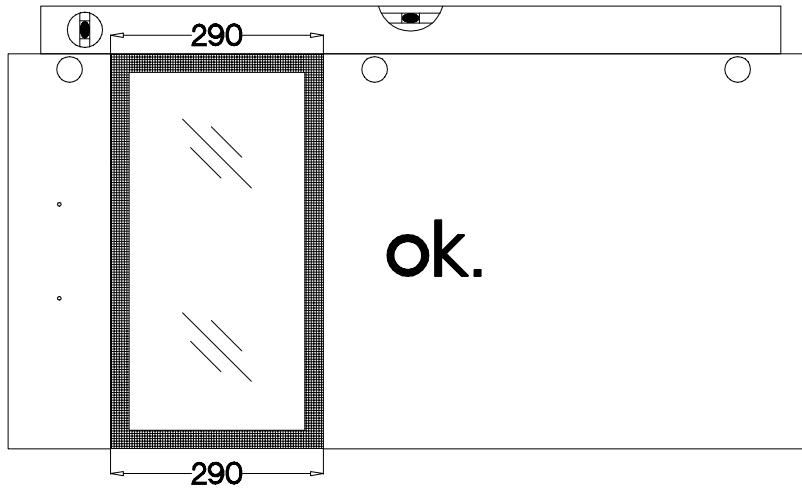
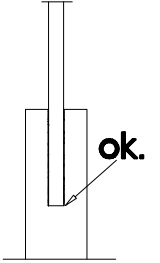
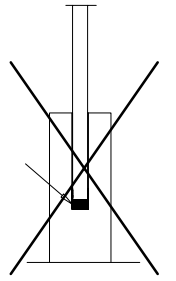
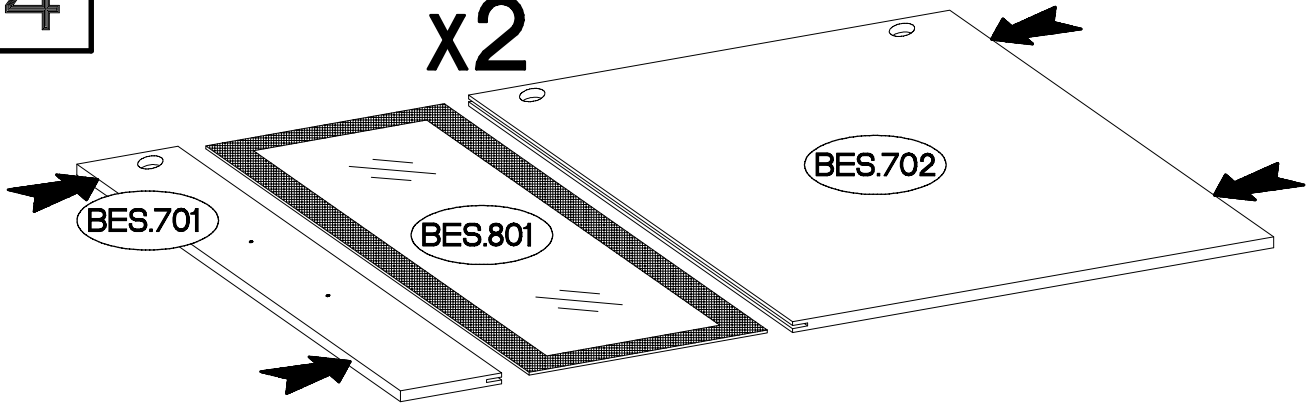
TYP 131 x1
TYP 531 x1



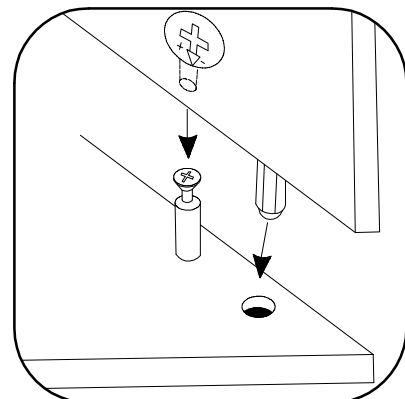
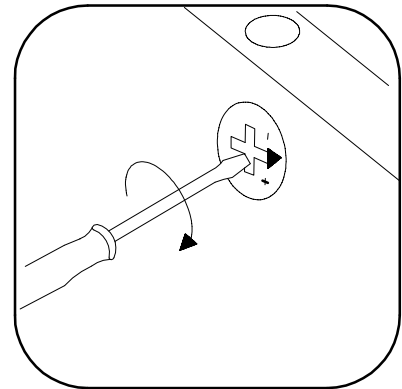
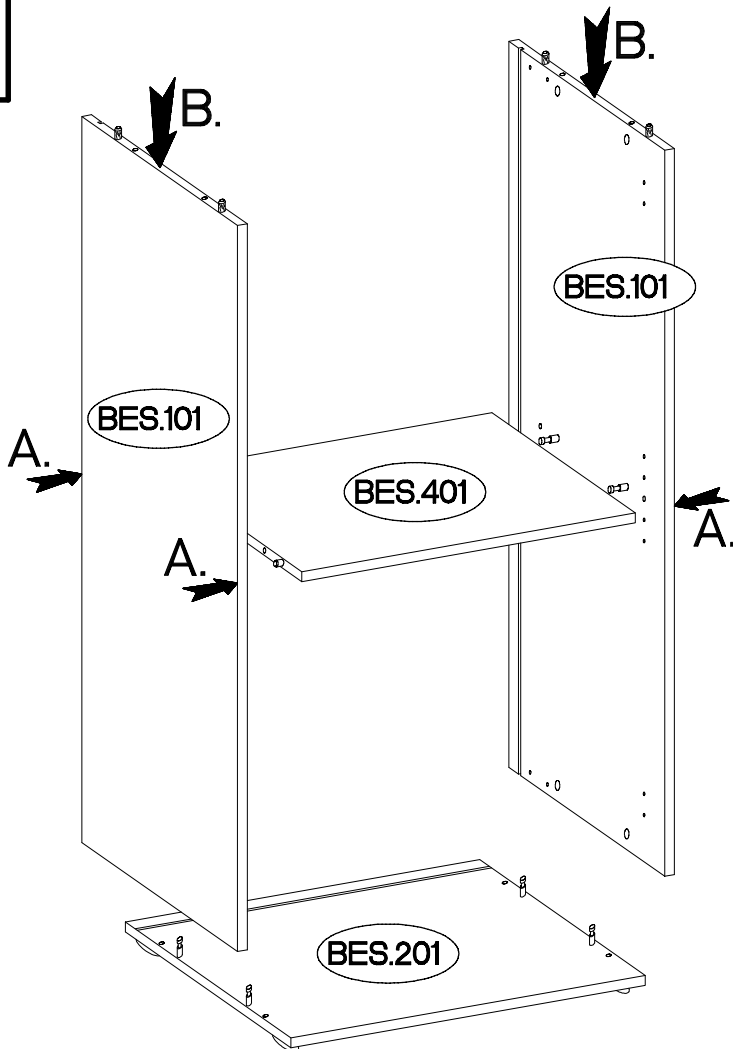
0,05

O11
1

4

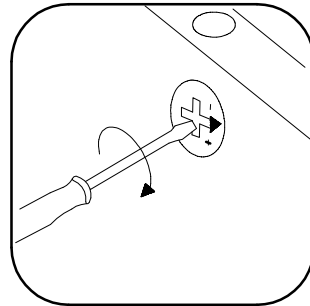
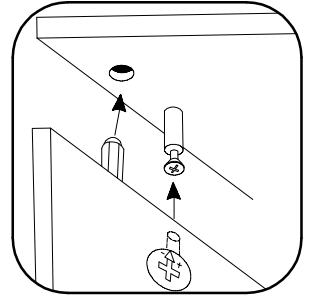
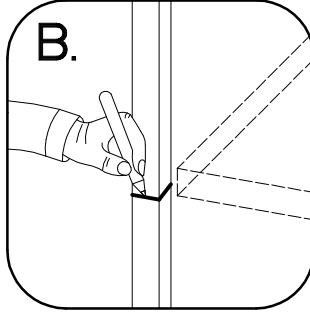
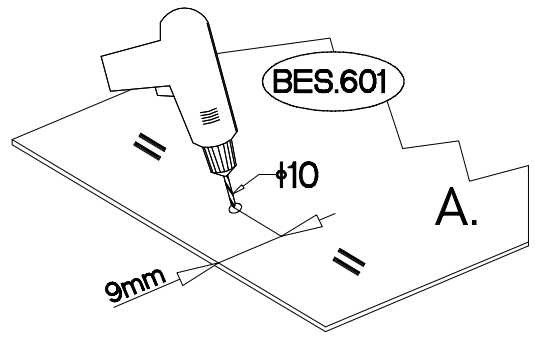
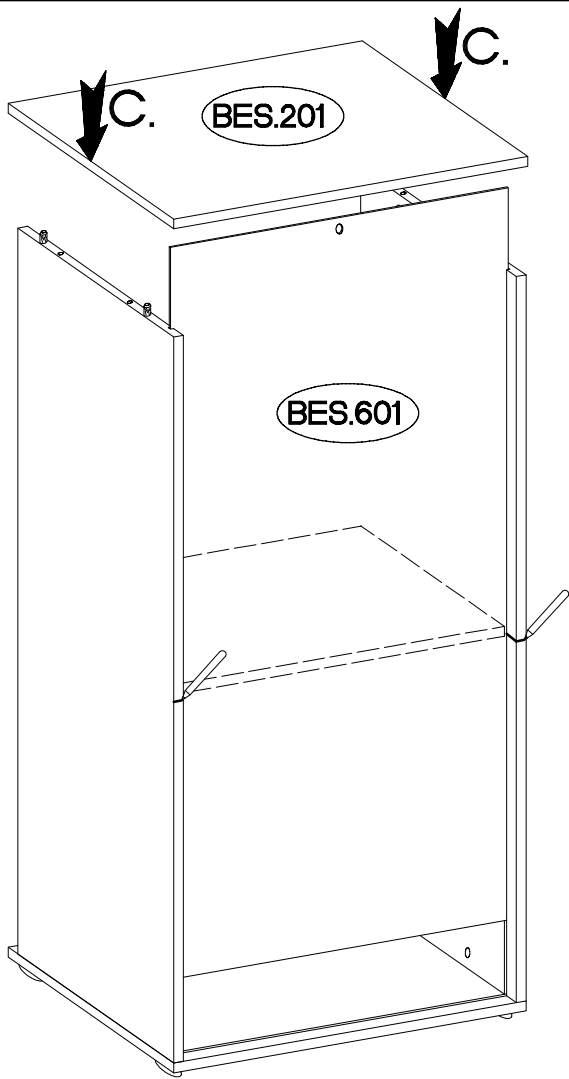
x2



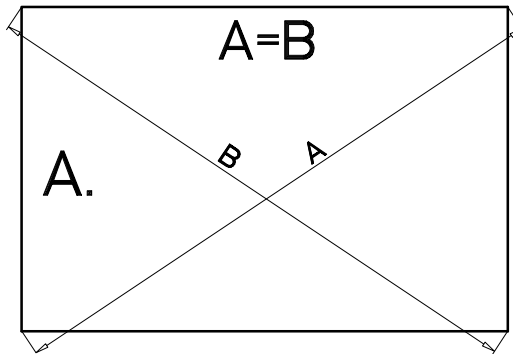
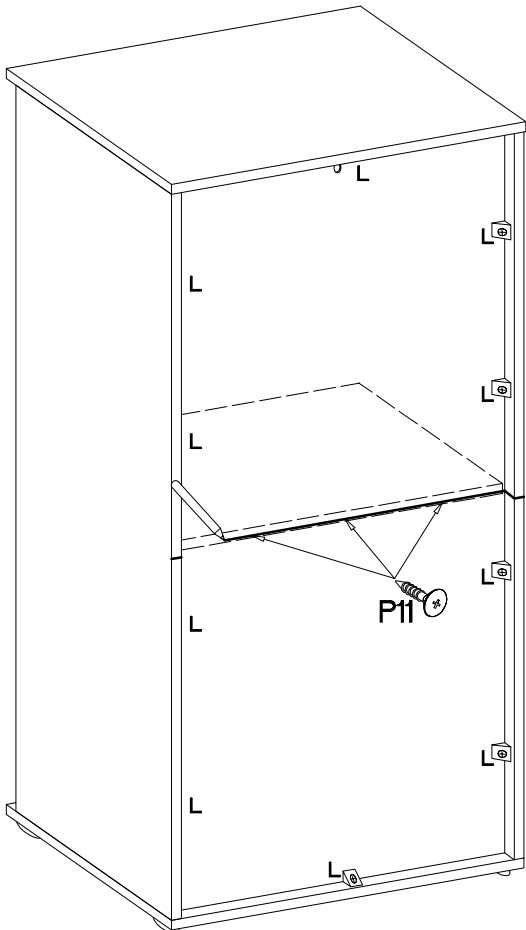
5

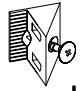


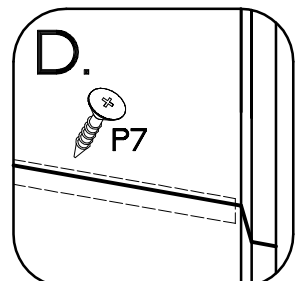
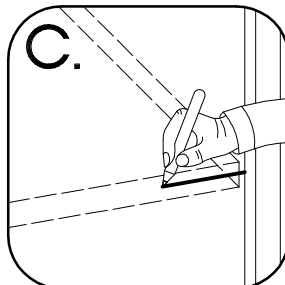
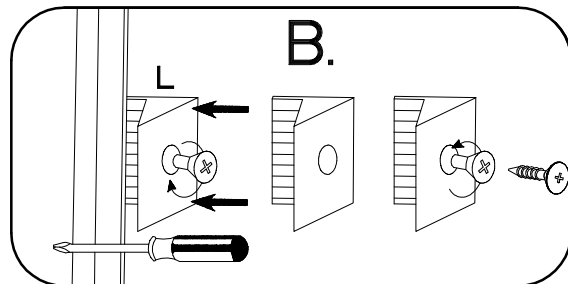
6

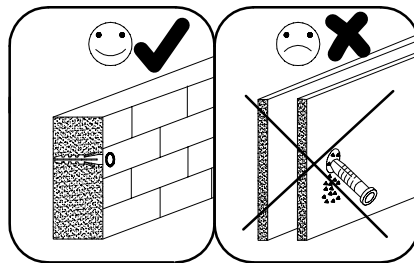
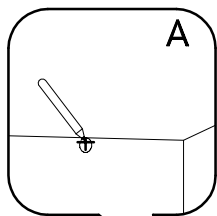


7

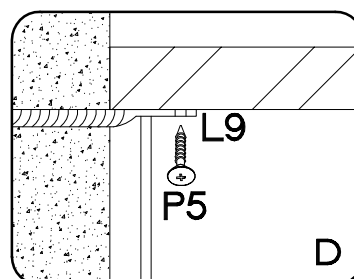
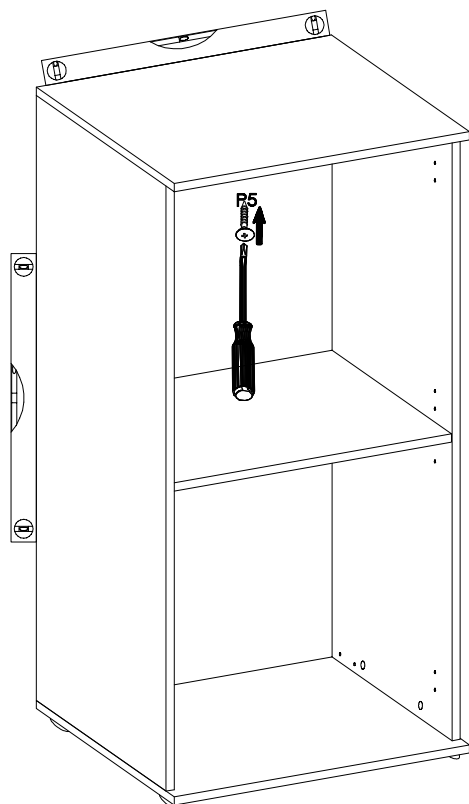
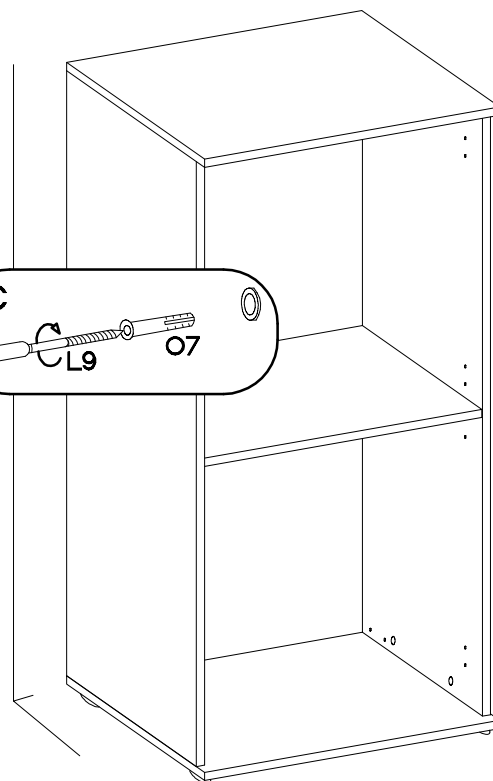
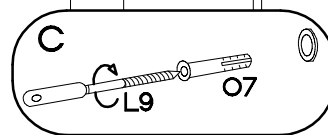
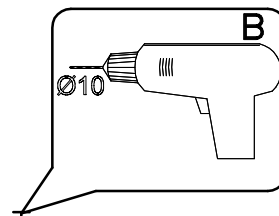
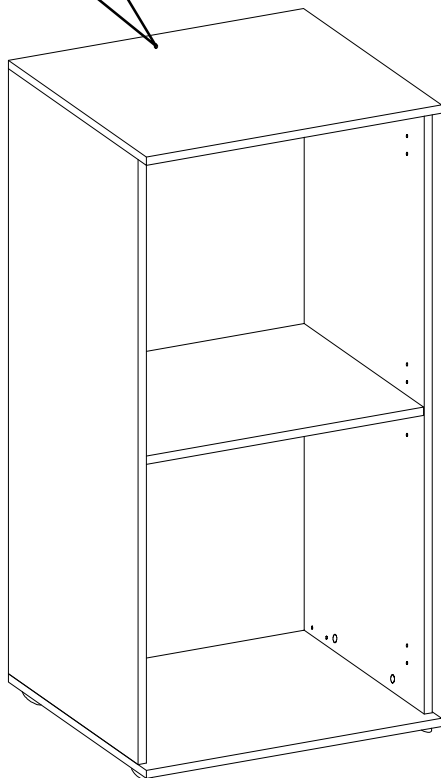


	$\pm 3.0 \times 20 \text{mm}$
L	P7
10	3








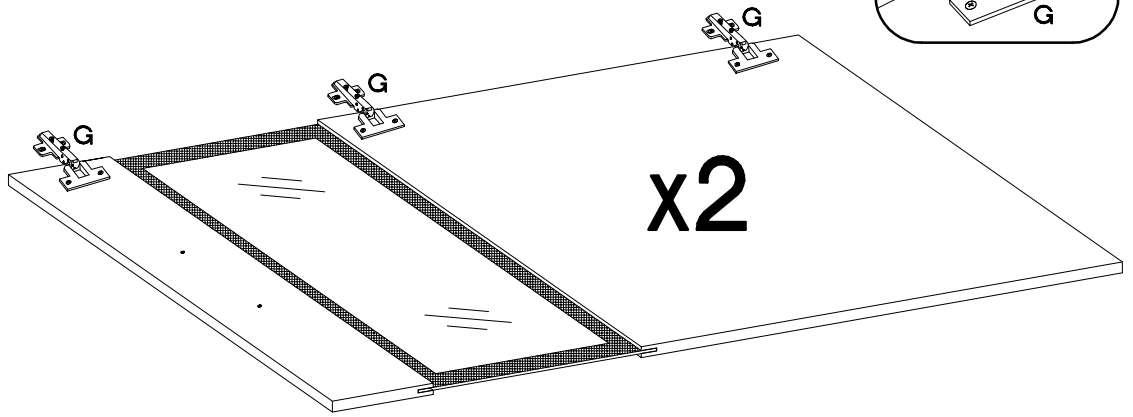
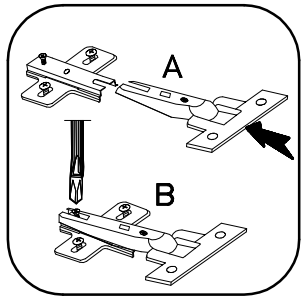
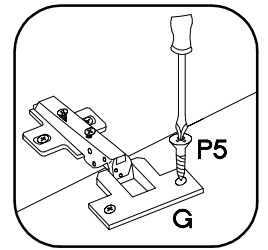
<p>∅10x50mm</p> <p>O7</p> <p>1</p>	<p>L9</p> <p>L9</p> <p>1</p>	<p>∅3.5x13mm</p> <p>P5</p> <p>1</p>
------------------------------------	------------------------------	-------------------------------------




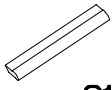
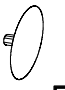
9

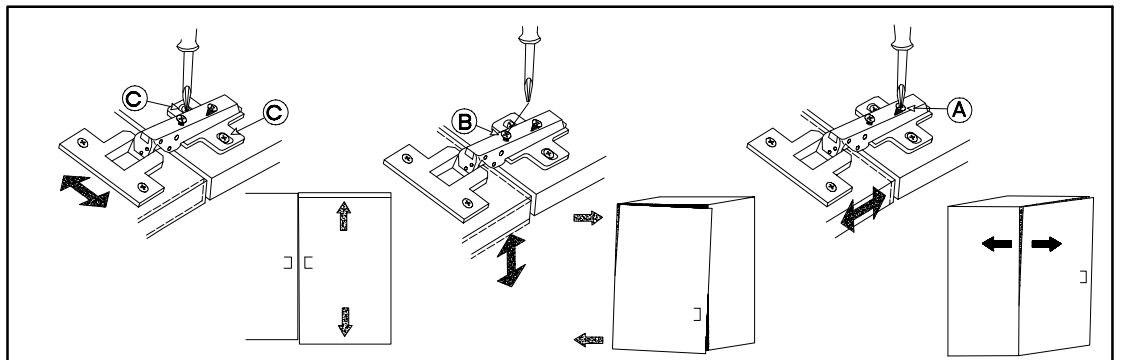
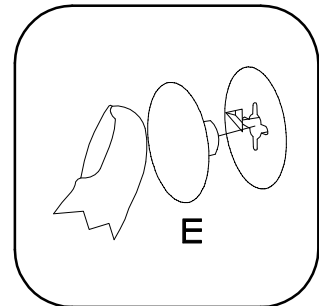
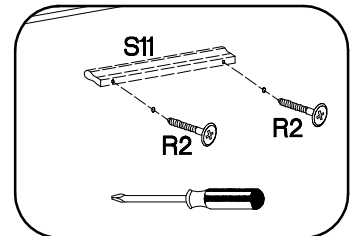
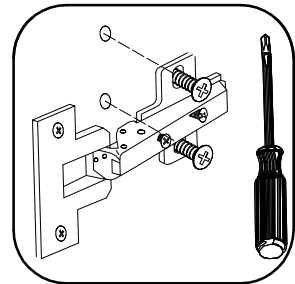
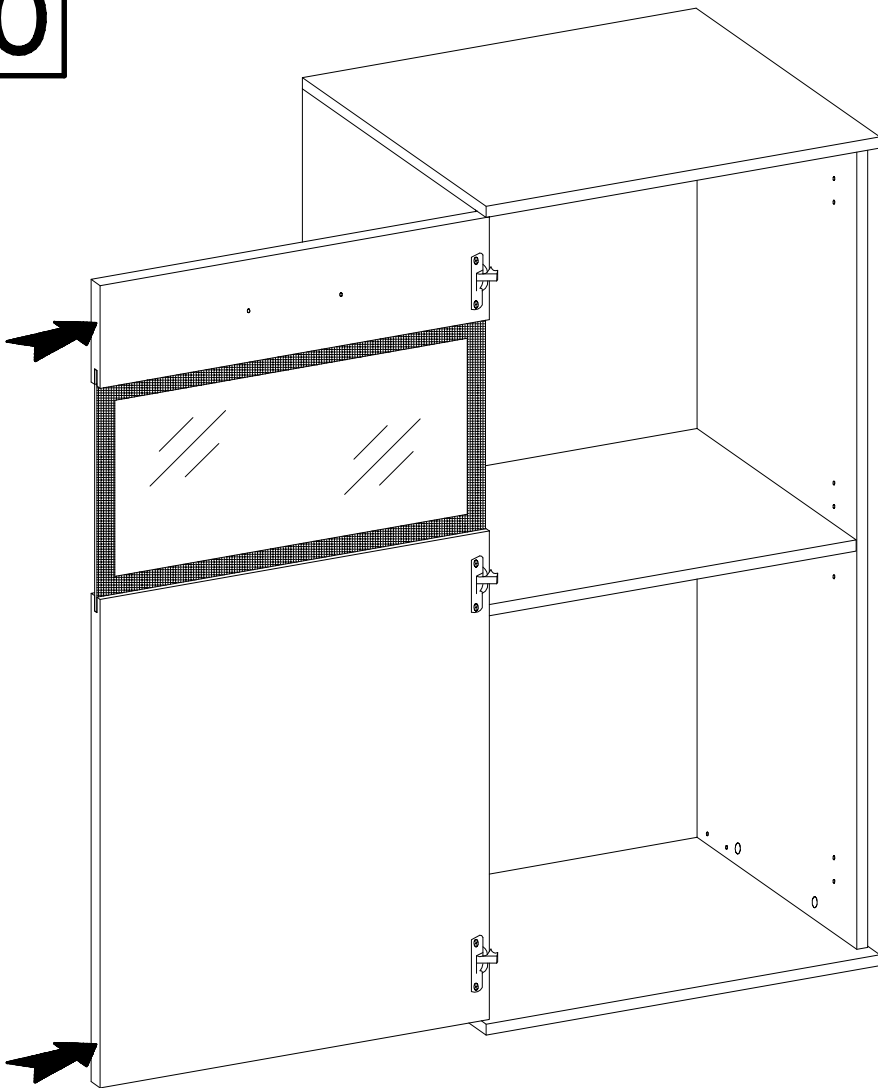
±35/0mm  G 6	H=0  H 6	±3.5x13mm  P5 12
---	---	---

TYP 131 x1
TYP 531 x1




10

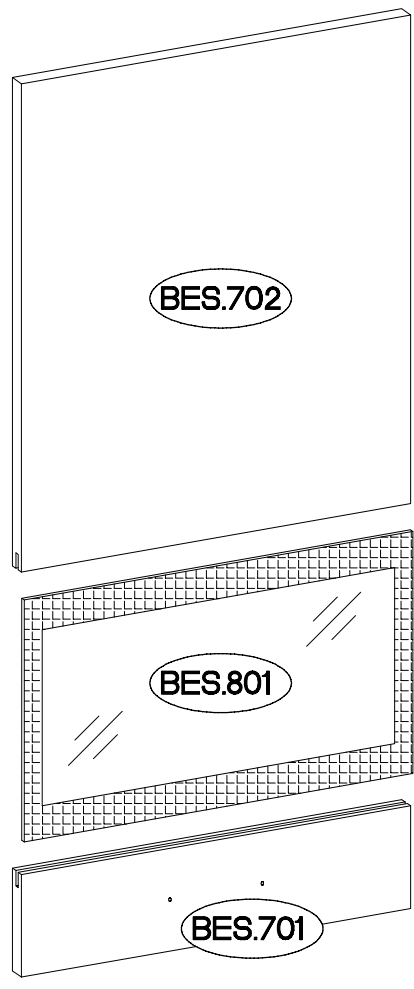
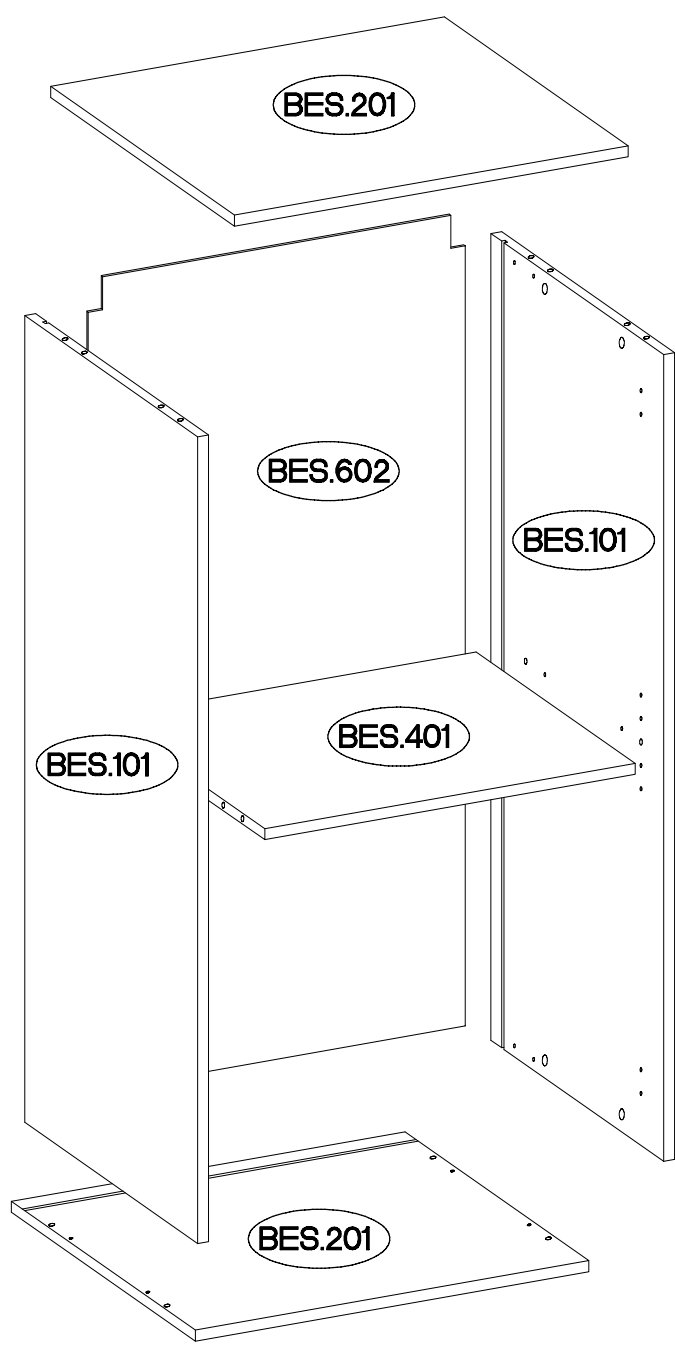
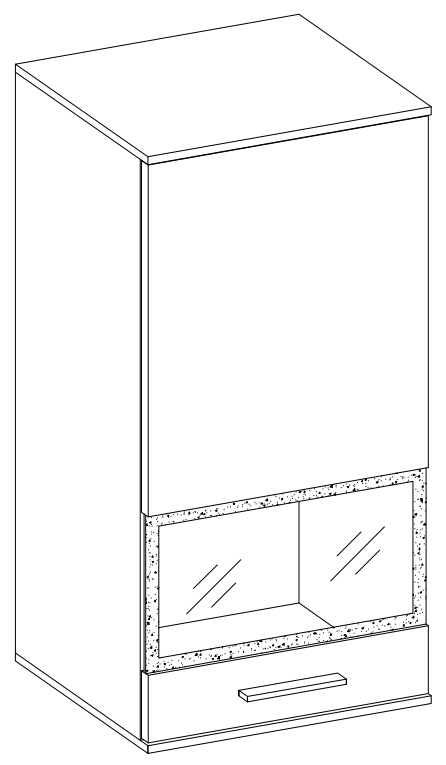
±4.0x30mm  R2 2	L=128mm  S11 1	 E 12
---	--	--










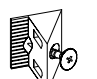



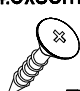
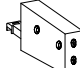


11 BLUES TYP 531

BES.401 =  max. 5kg

BES.201



										
12	12	12	12	3	3	6	2	1	10	3


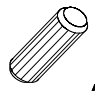
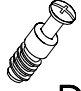

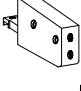
			
4	2	2	2

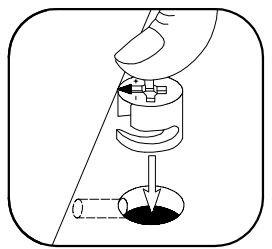
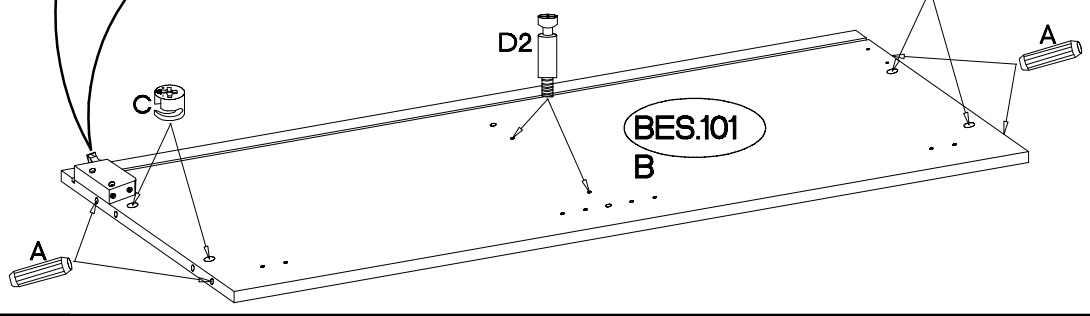
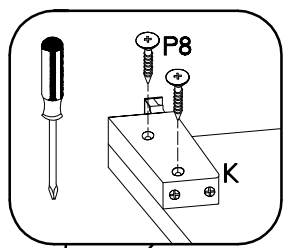
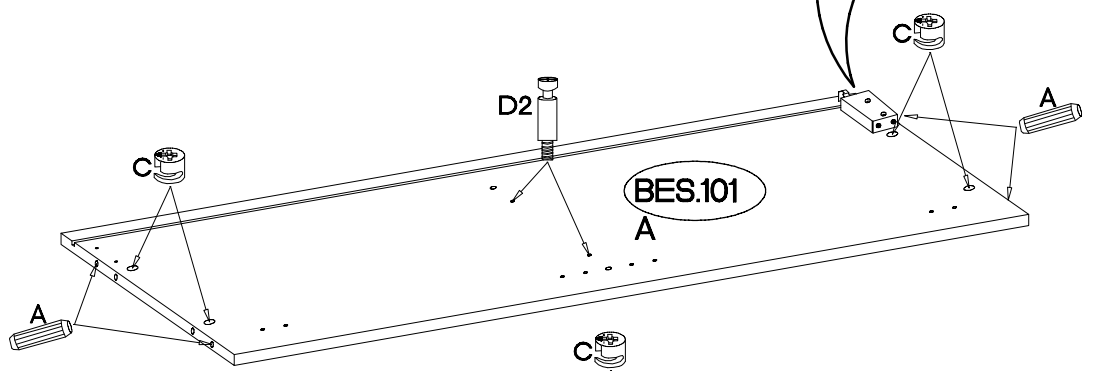
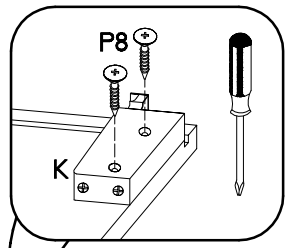
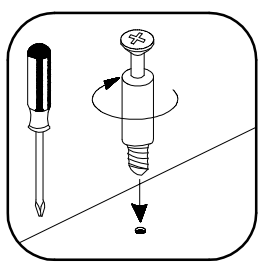
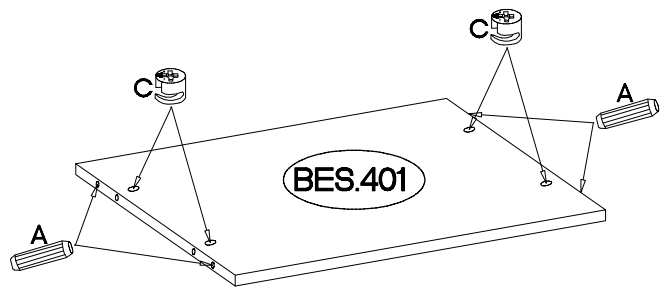
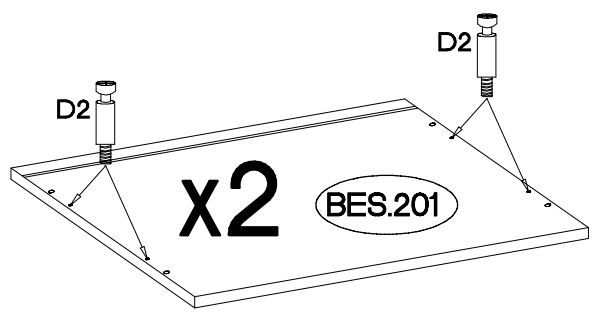
$\varnothing 15/12\text{mm}$	$\varnothing 8 \times 30\text{mm}$	L=20mm	$\varnothing 35/0\text{mm}$	H=0	$\varnothing 3.5 \times 13\text{mm}$
C	A	D2	E	G	H
12	12	12	12	3	3

$\varnothing 4.0 \times 30\text{mm}$	$6.5/68\text{mm}$	$\varnothing 10 \times 50\text{mm}$
P8	K	O4
4	2	2

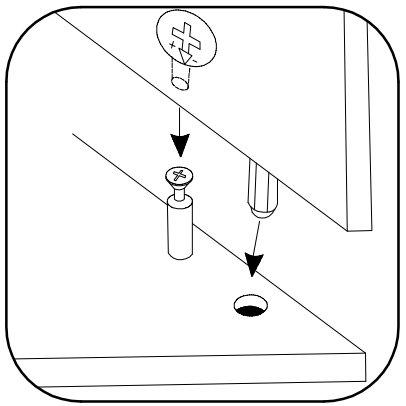
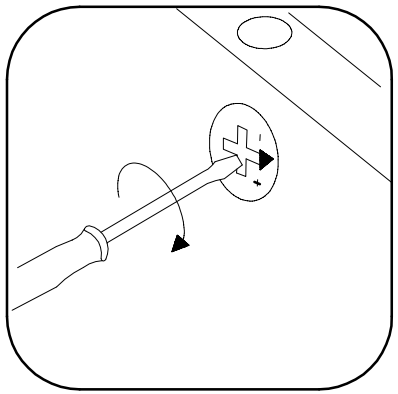
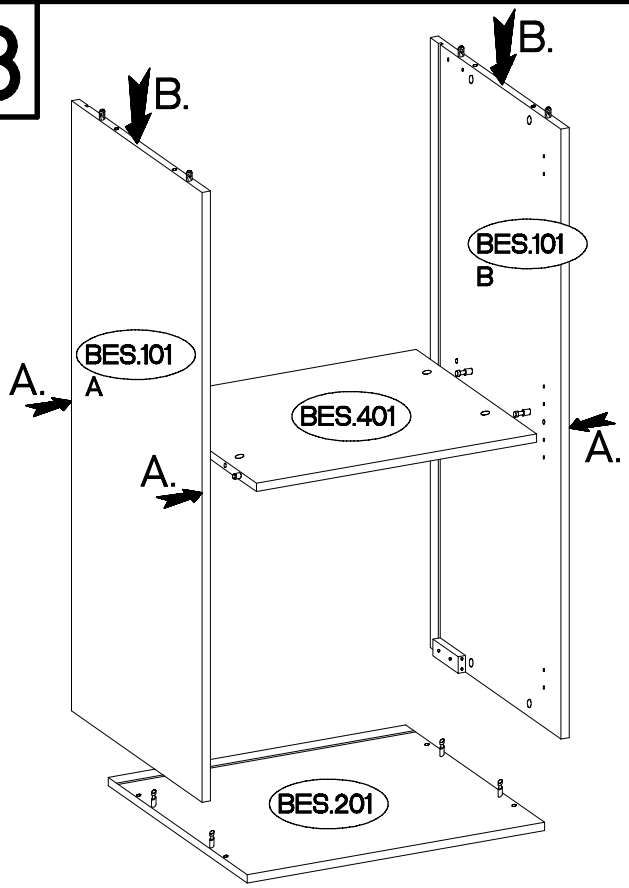
$\varnothing 4.0 \times 30\text{mm}$	L=128mm	$\varnothing 3.0 \times 20\text{mm}$
R2	S11	L
2	1	10

12

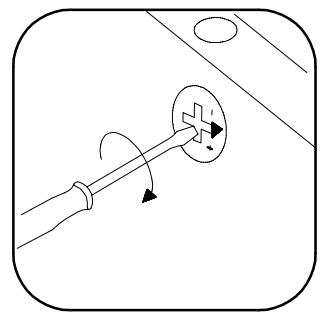
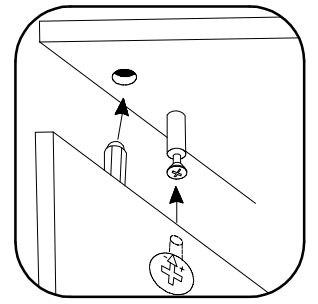
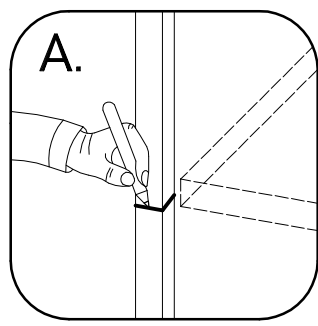
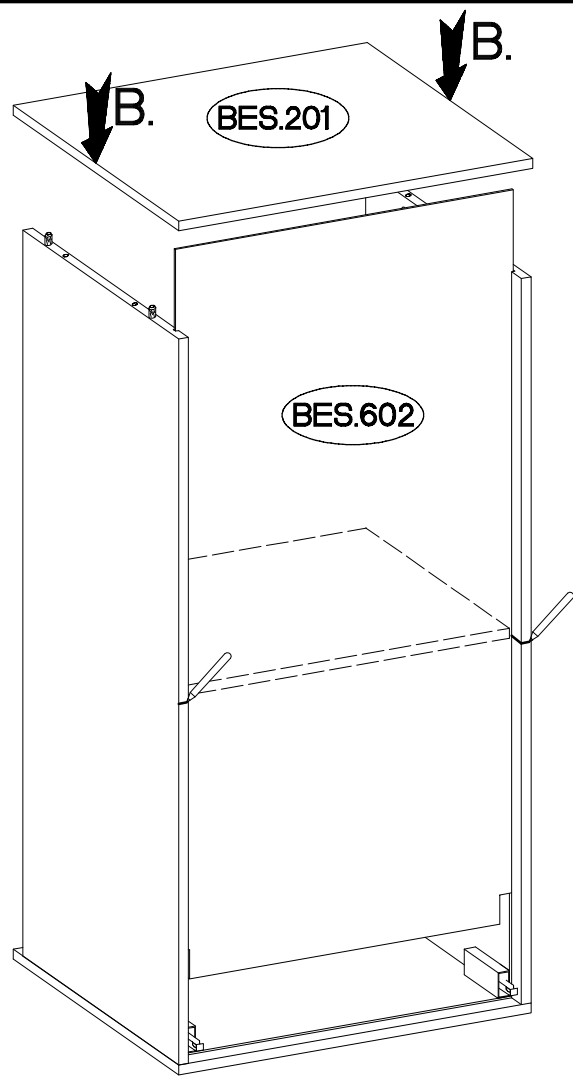
$\varnothing 15/12\text{mm}$  C 12	$\varnothing 8 \times 30\text{mm}$  A 12	$L=20\text{mm}$  D2 12	$\varnothing 4.0 \times 30\text{mm}$  P8 4	 K 2
--	--	--	--	---



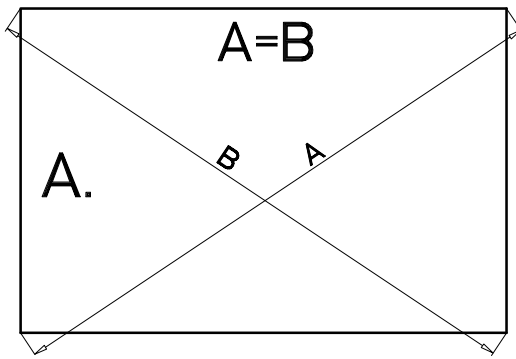
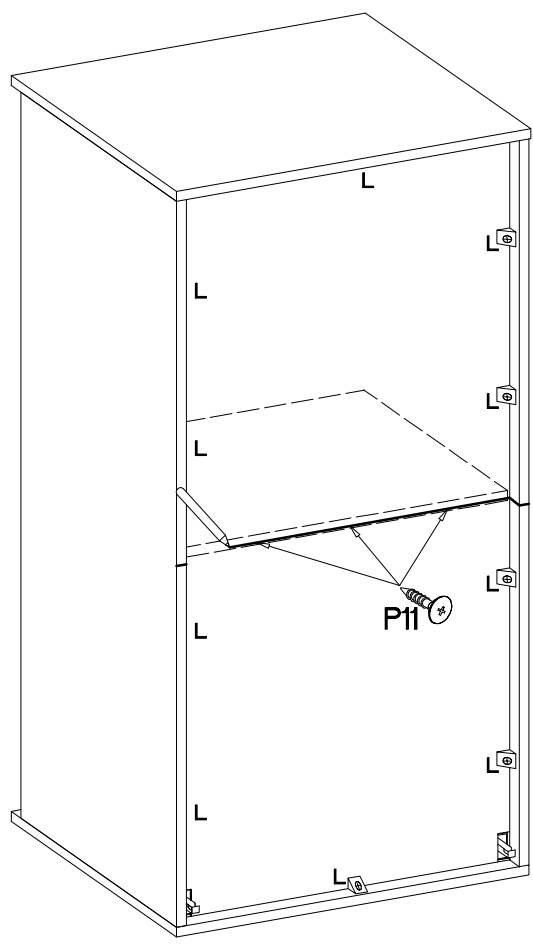
13

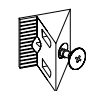


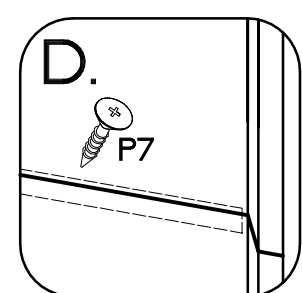
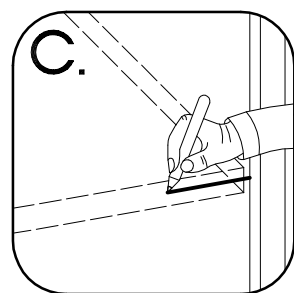
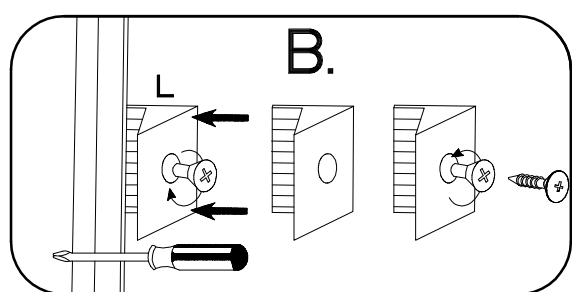
14

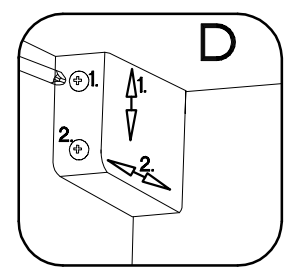
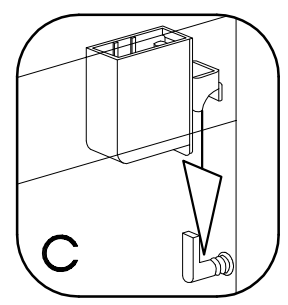
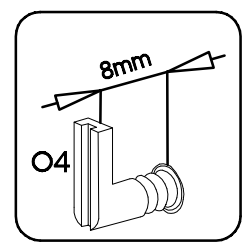
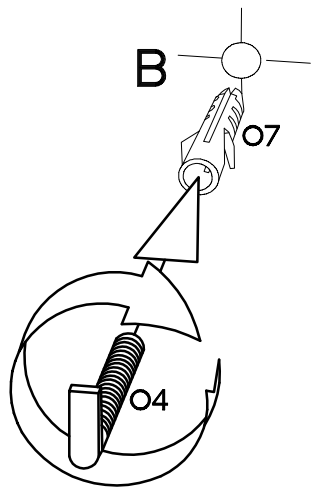
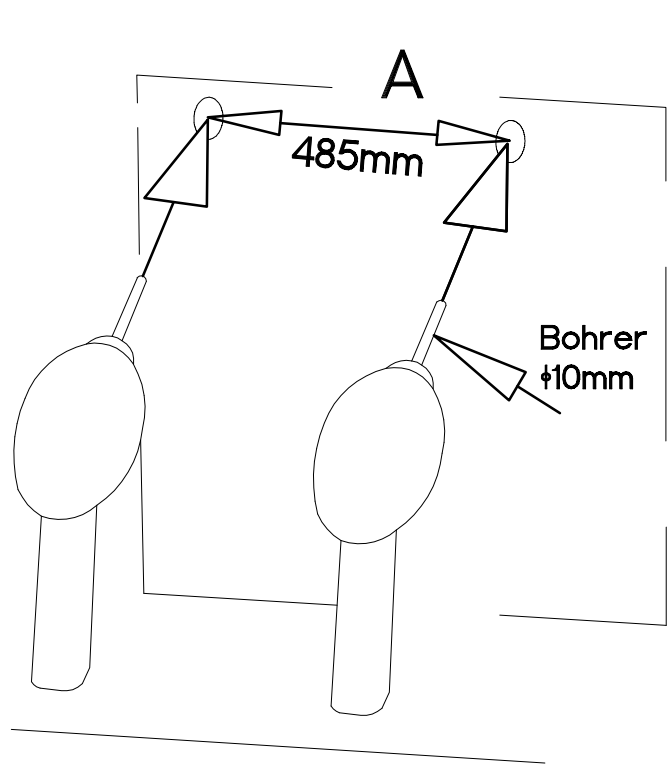
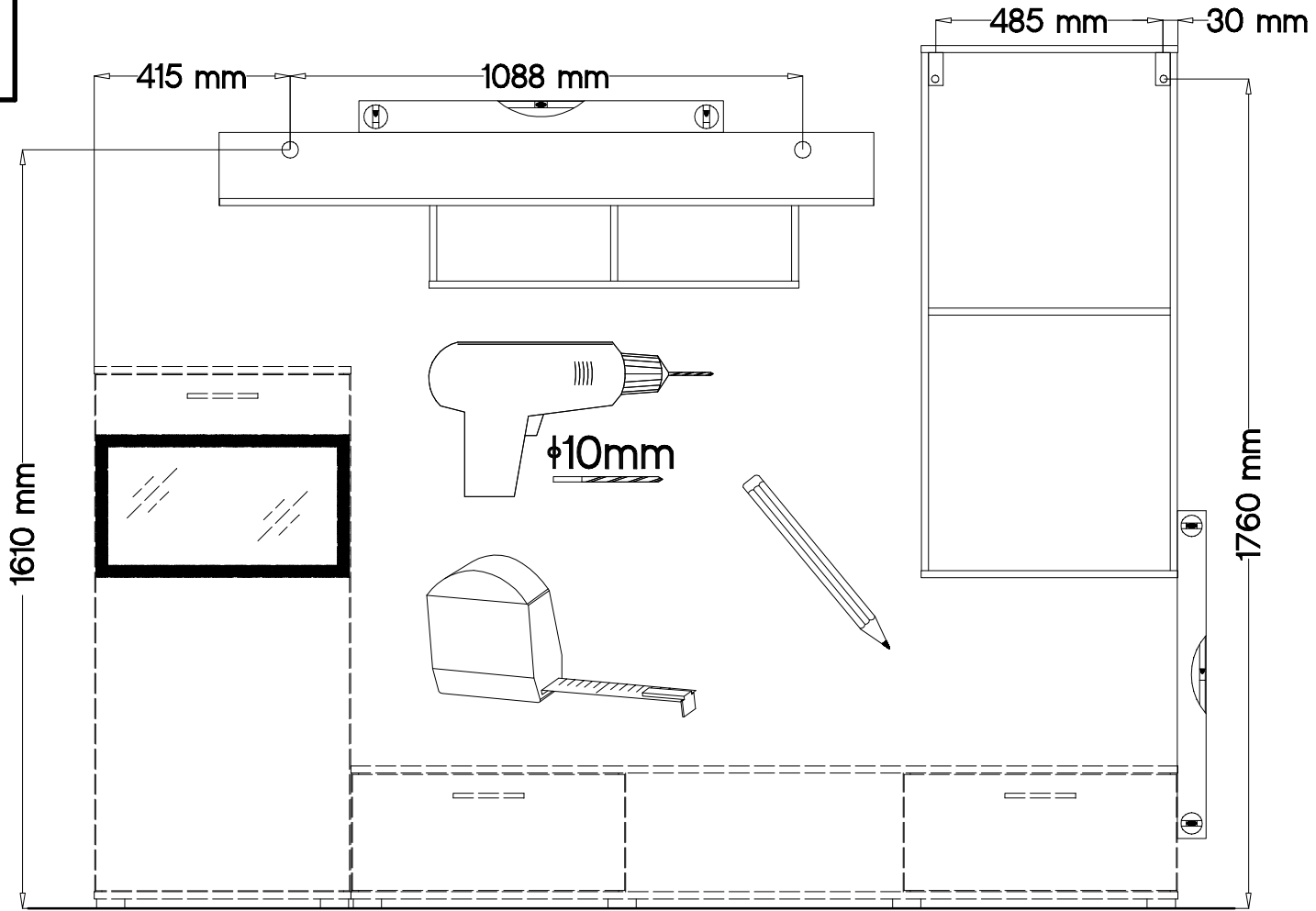


15

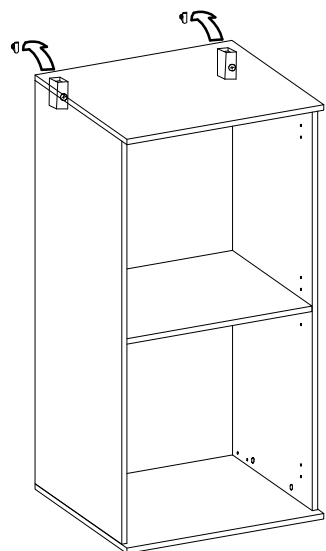
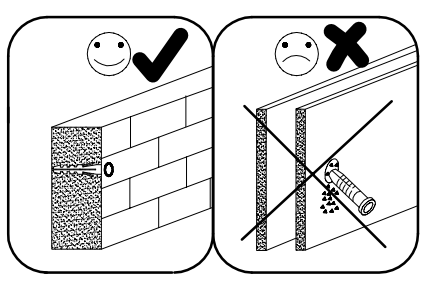



	$\pm 3.0 \times 20 \text{mm}$
L	P7
10	3

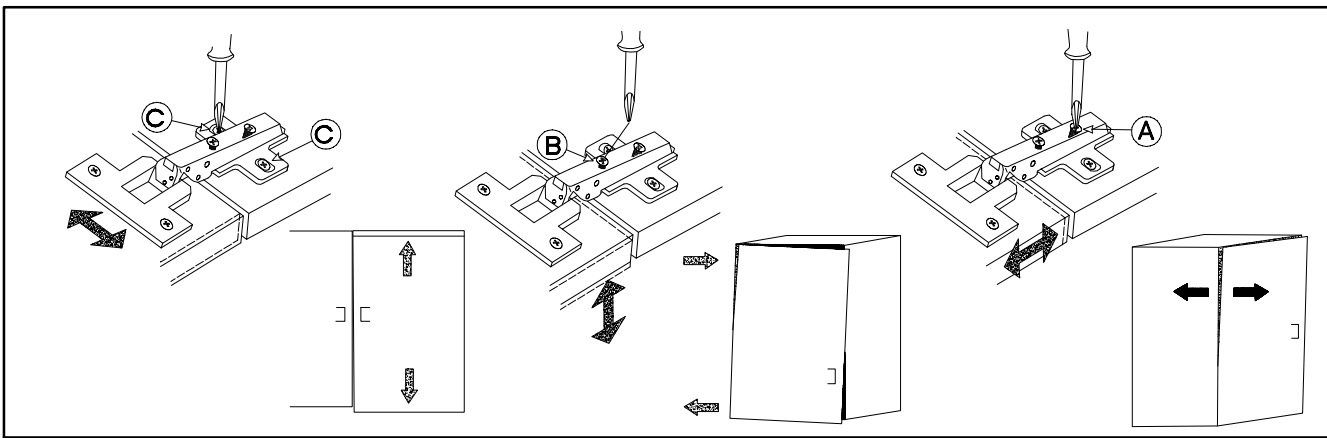
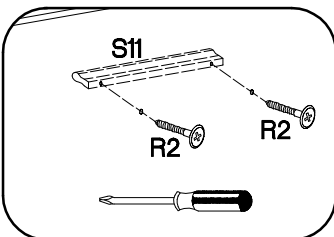
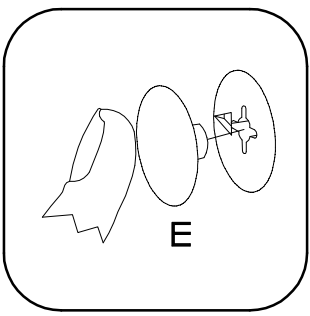
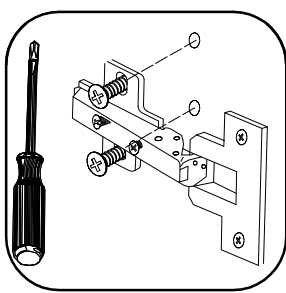
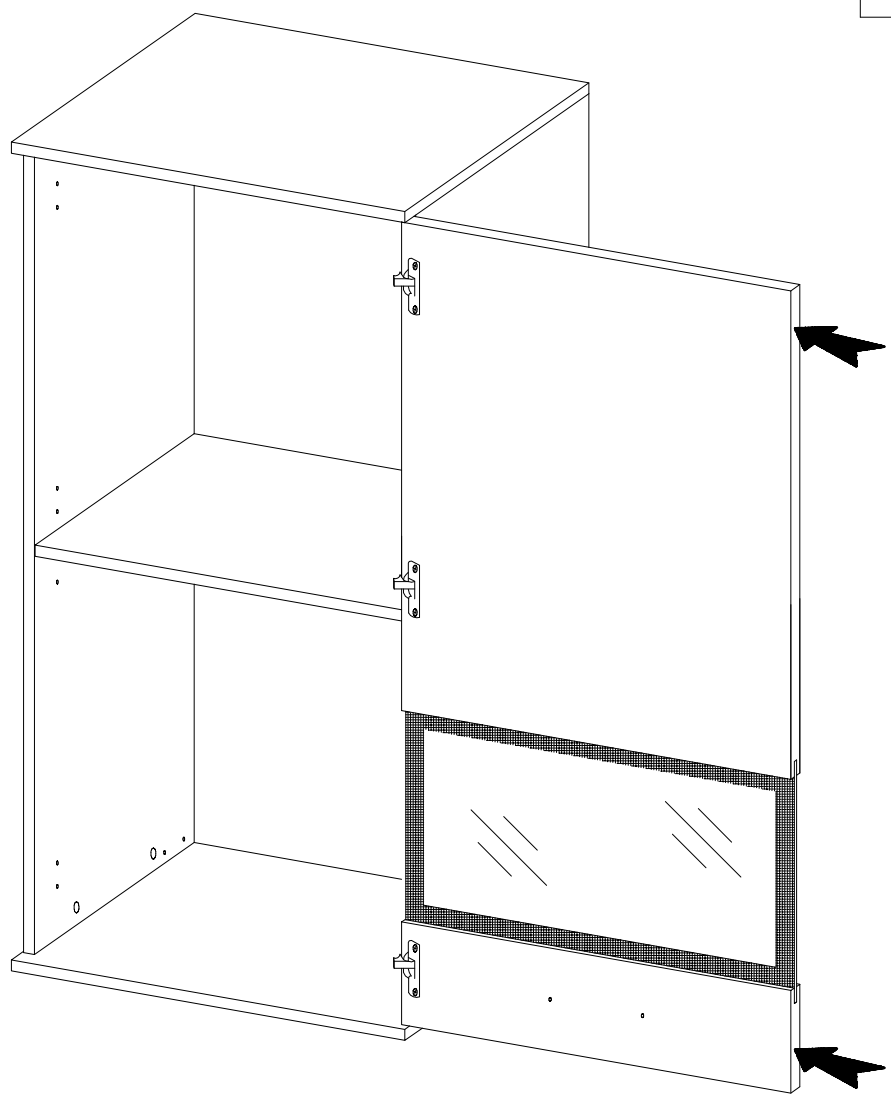





6,5/68mm	+10x50mm
O4	O7
2	2

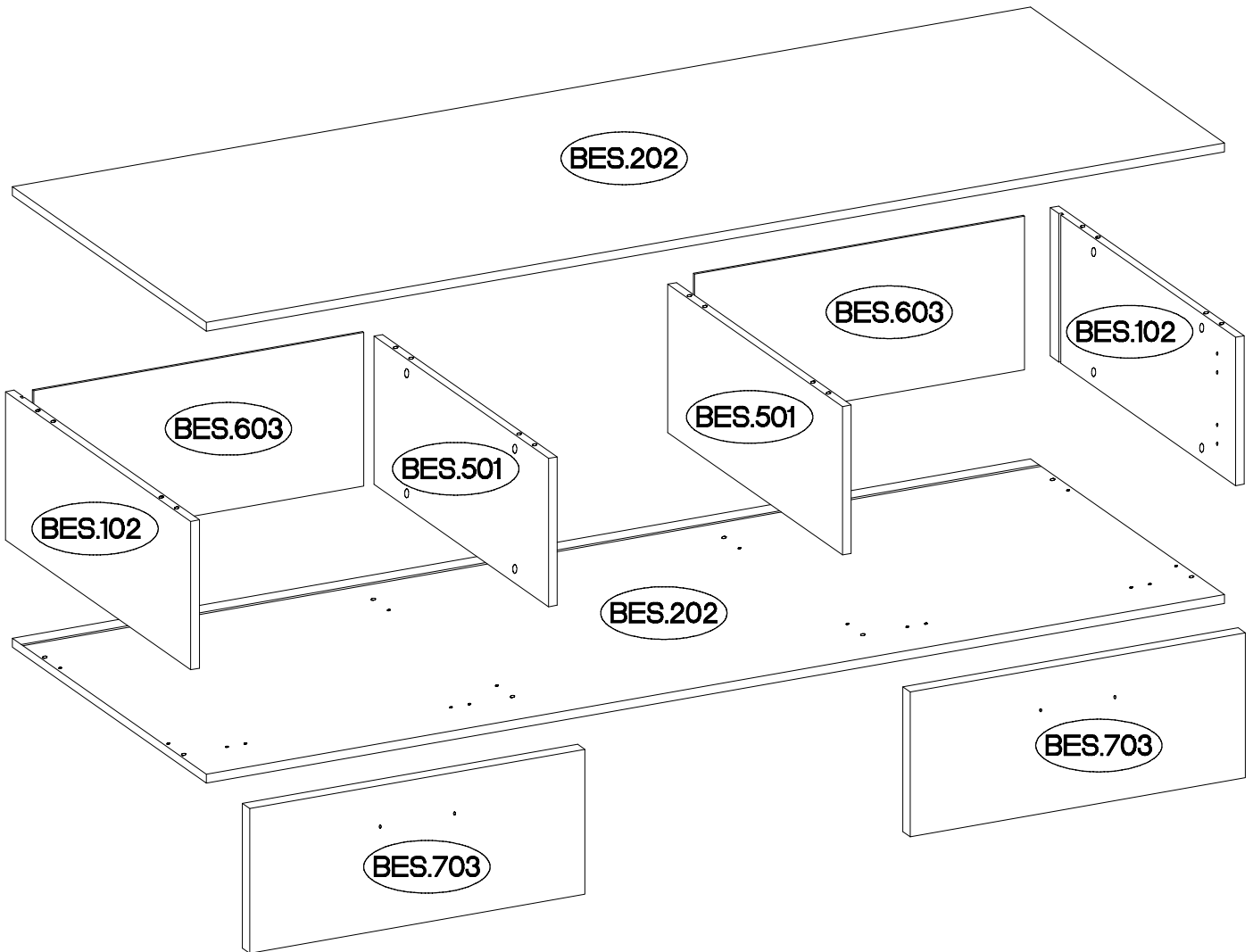
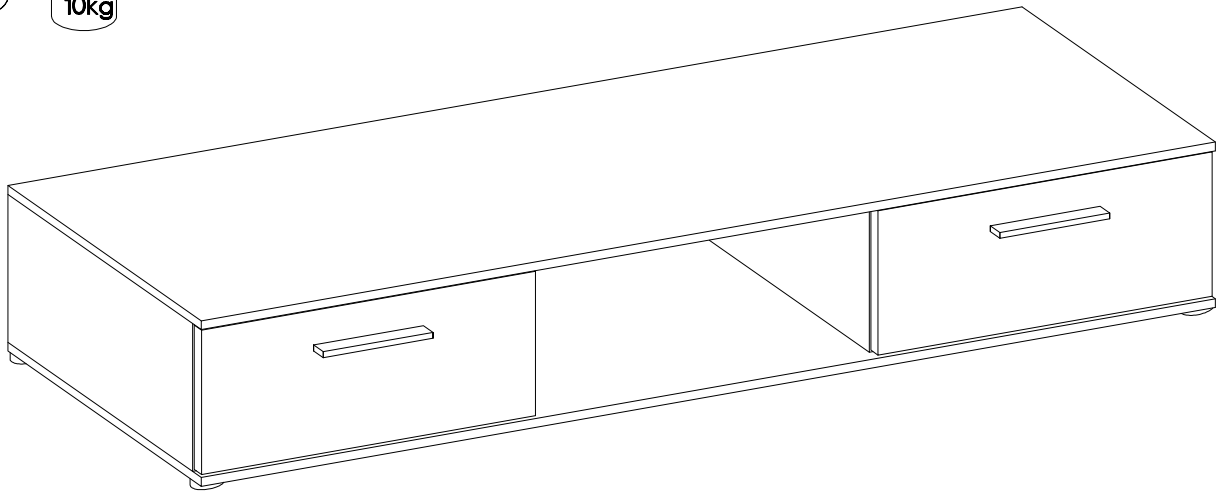



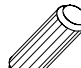


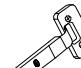




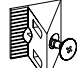

	$\pm 4.0 \times 30 \text{mm}$	L=128mm
E	R2	S11
12	2	1






18 BLUES TYP 316


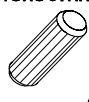

BES.202 =  max. 10kg


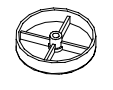


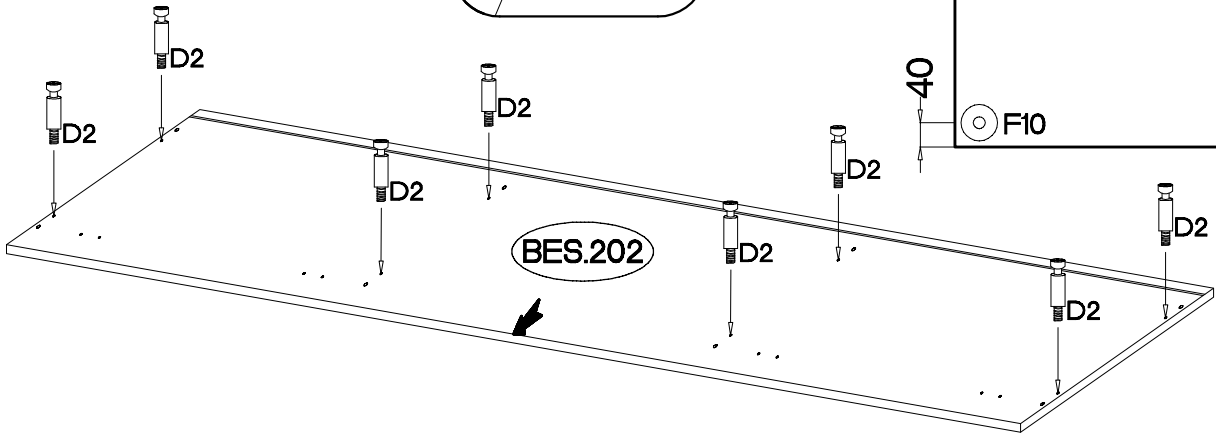
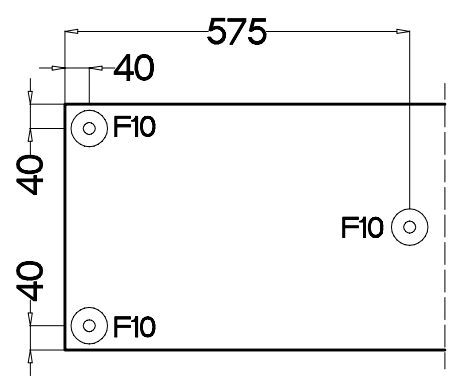
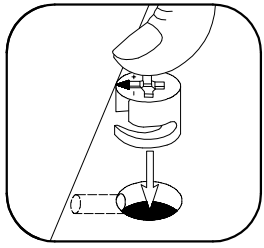
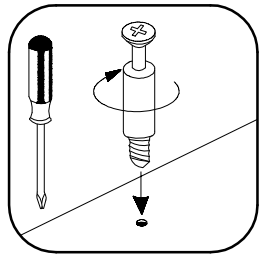
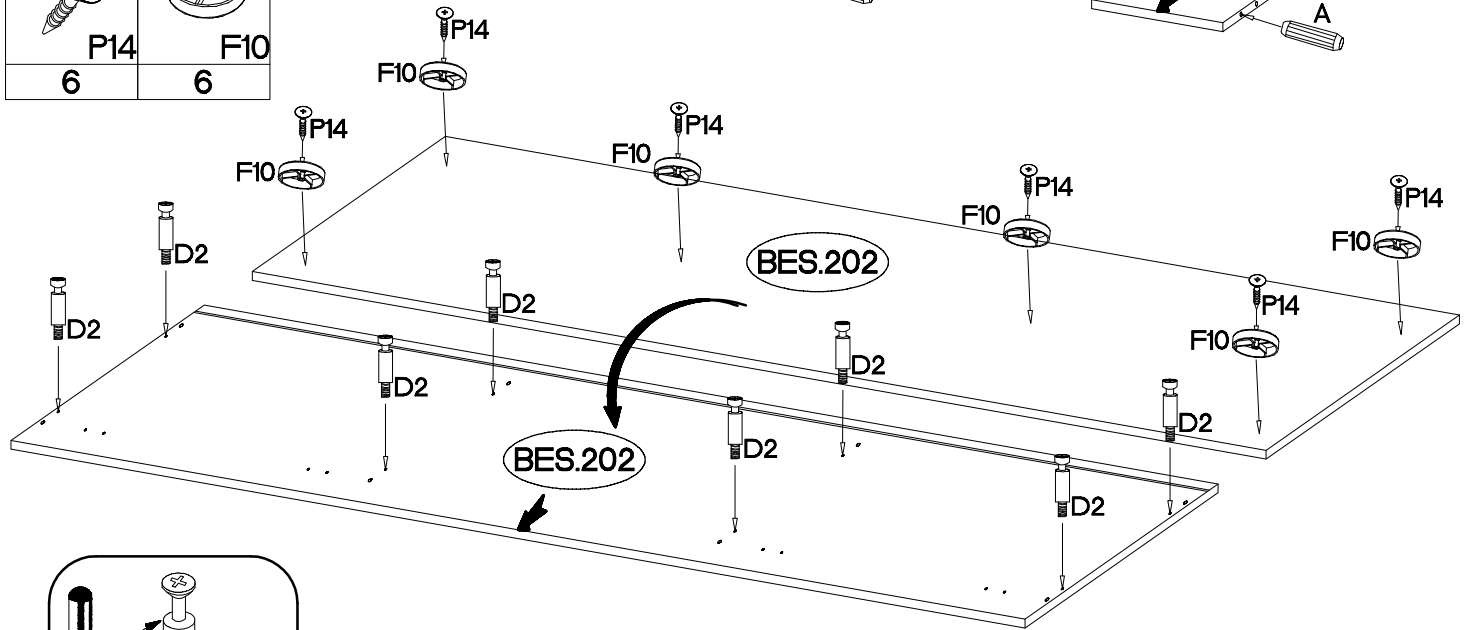
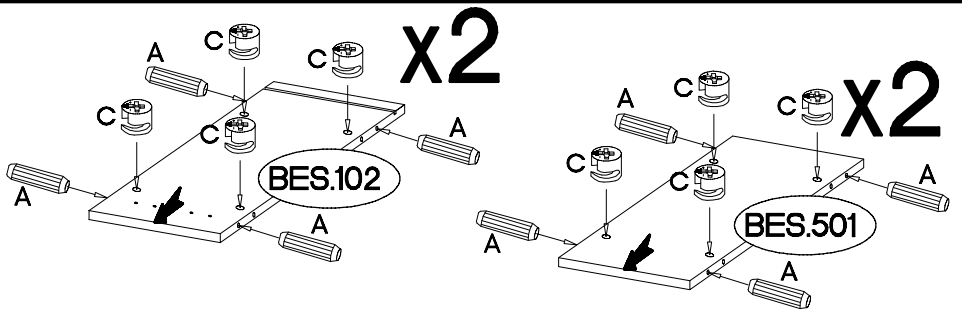
										
15/12mm	8x30mm	L=20mm		35/16mm	H=0	3.5x13mm	4.0x30mm	L=128mm		
C	A	D2	E	G2	H	P5	R2	S11	L	F10
16	16	16	16	4	4	14	4	2	6	6

		
3.0x16mm	4.0x25mm	
K13	P11	P14
2	10	6

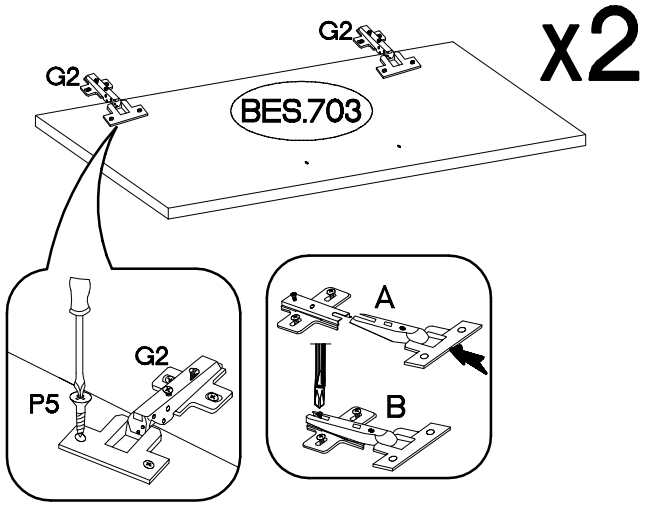
19



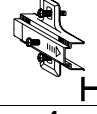

$\pm 15/12\text{mm}$ 	$\pm 8 \times 30\text{mm}$ 	$L=20\text{mm}$ 
C	A	D2
16	16	16

$\pm 4.0 \times 25\text{mm}$ 	
P14	F10
6	6

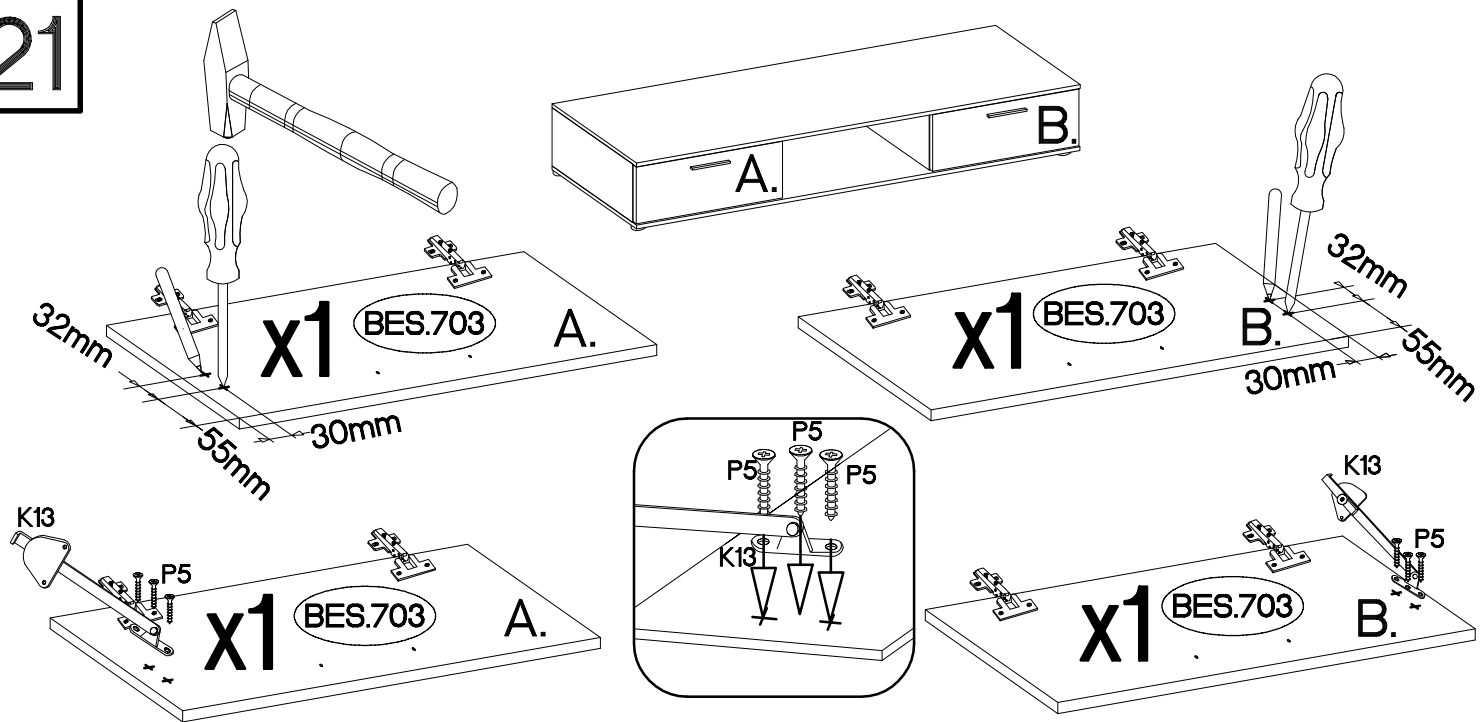


20

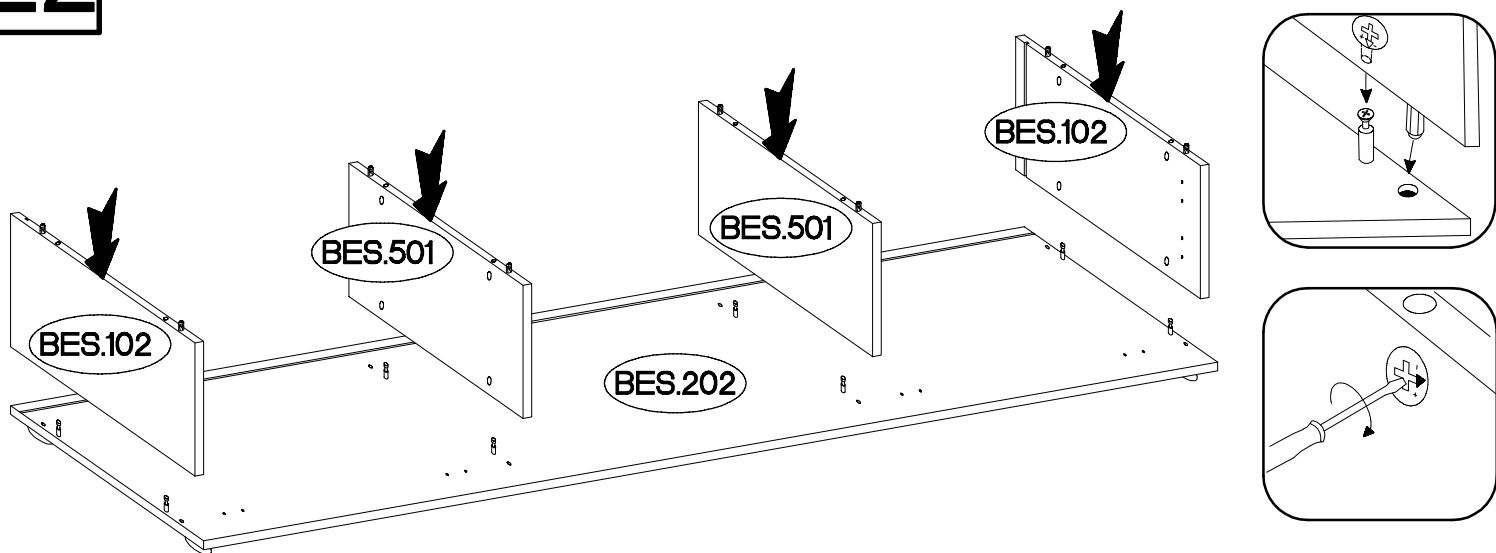


	$\pm 3.5 \times 13\text{mm}$ 
G2	P5
4	6
$\pm 35/16\text{mm}$ 	$\pm 3.5 \times 13\text{mm}$ 
H	P5
4	8

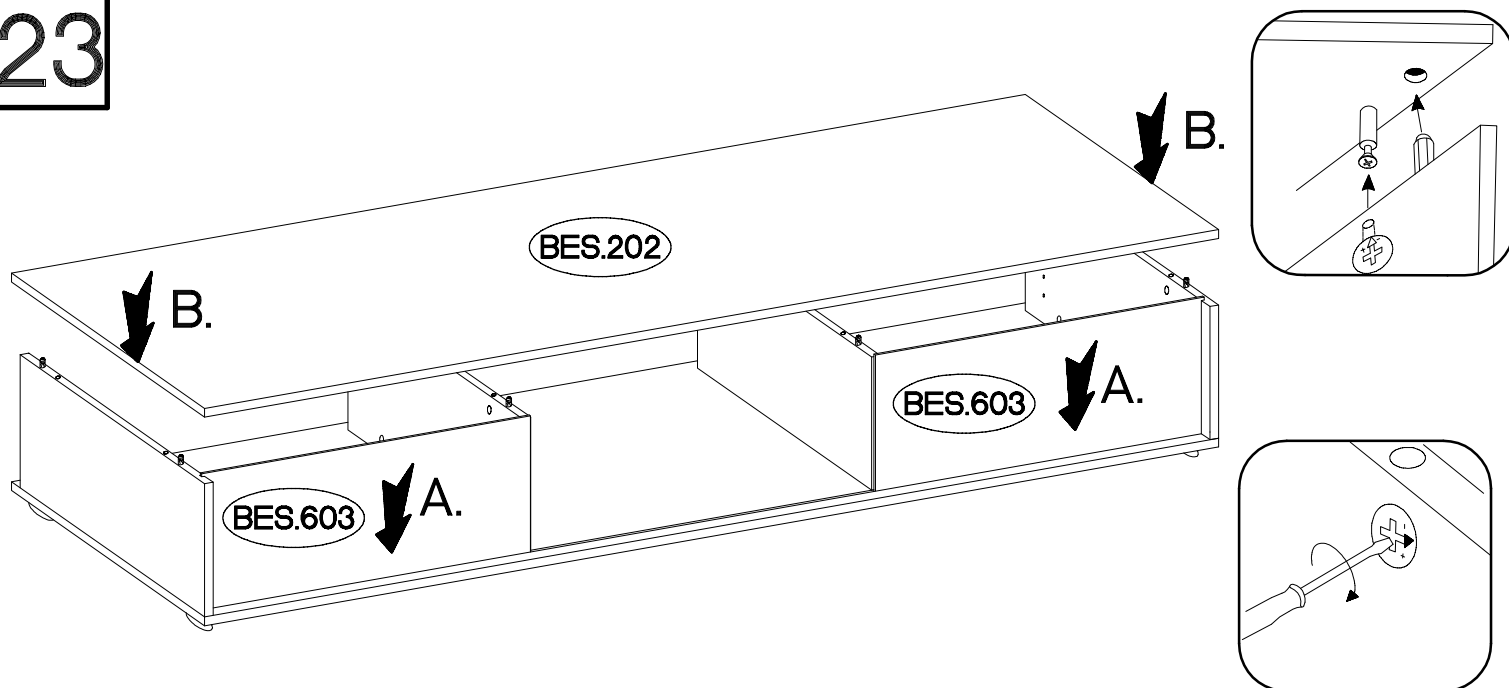
21



22

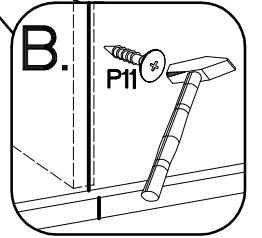
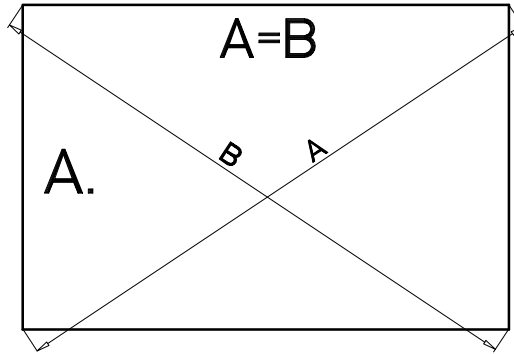
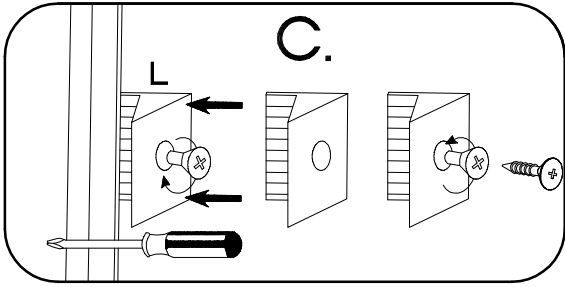
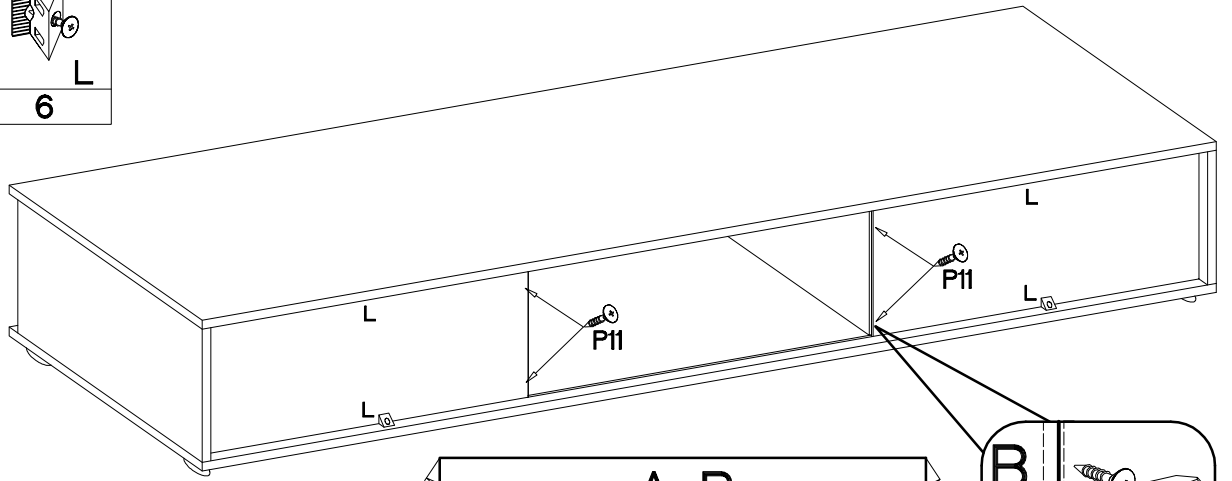
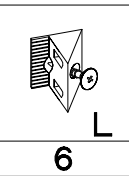
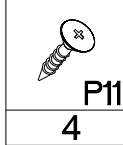


23

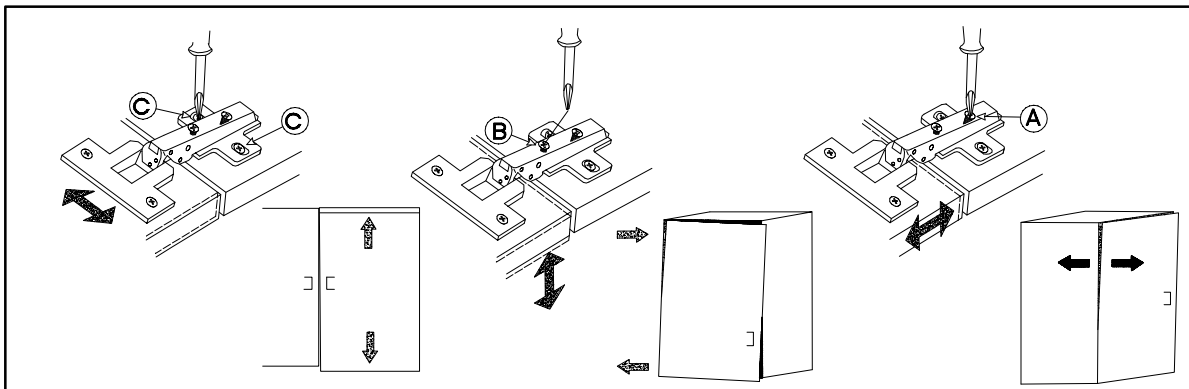
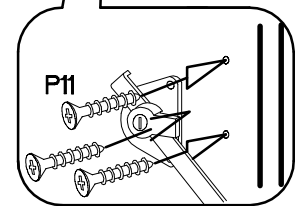
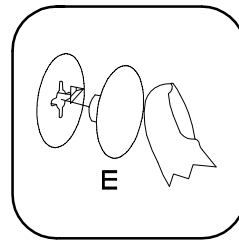
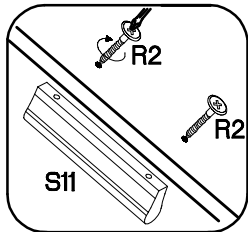
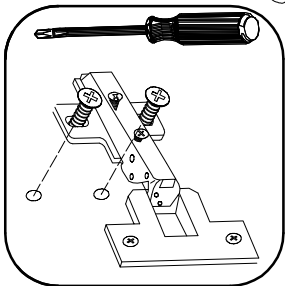
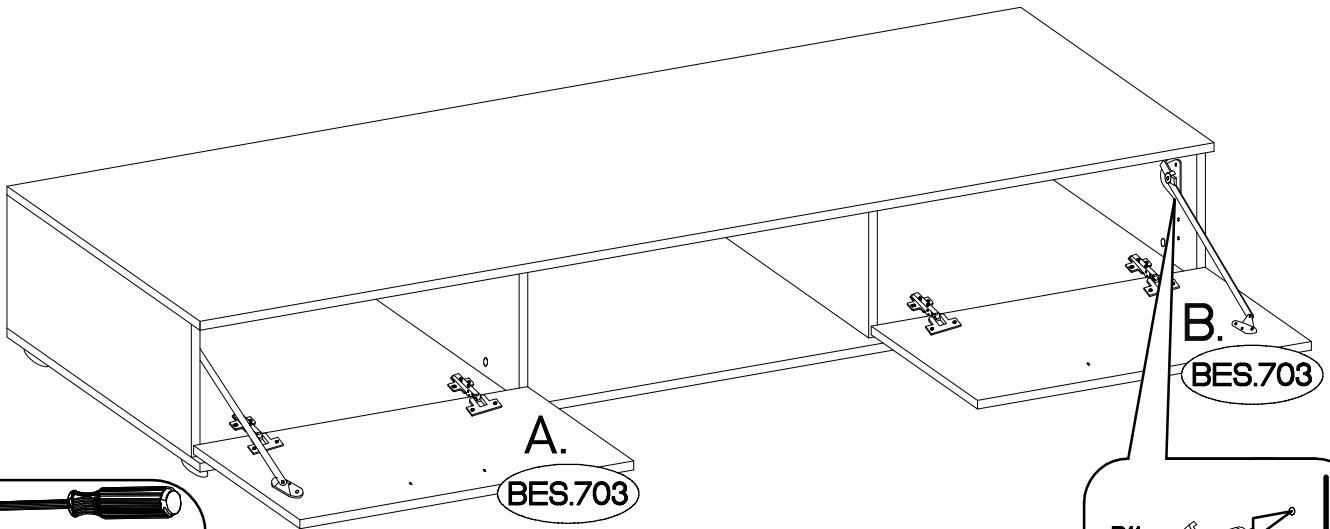


24

∅3.0x16mm




25

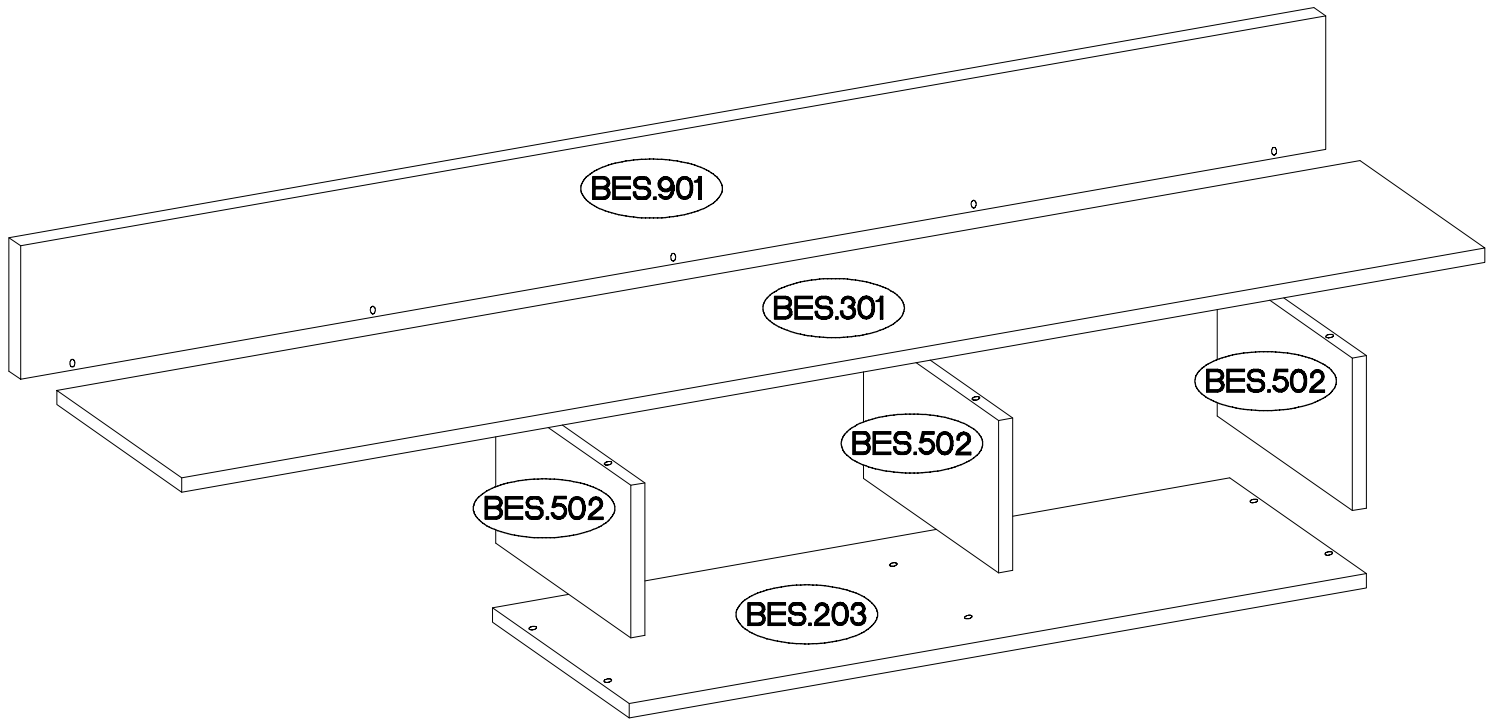
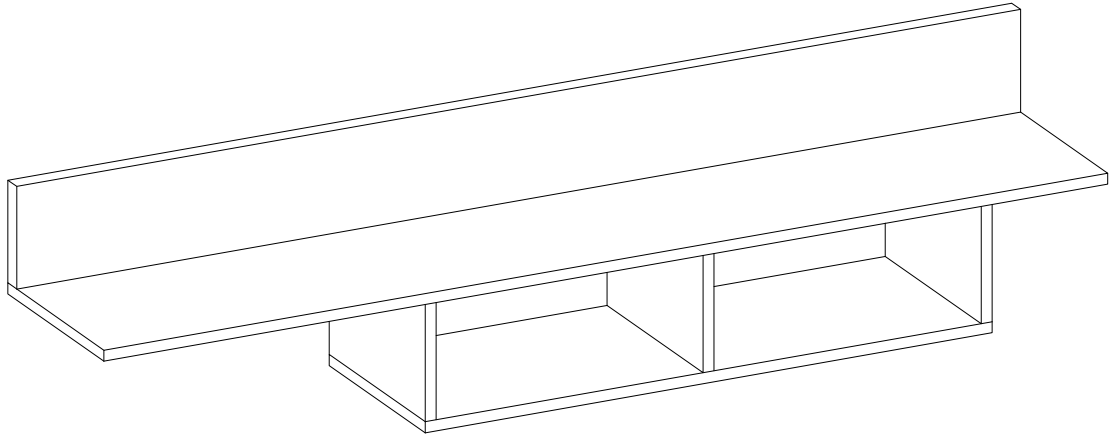



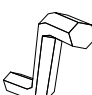
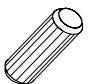


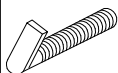

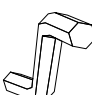
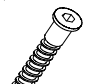

∅3.0x16mm	
P11	E
6	16
∅4.0x30mm	L=128mm
R2	S11
4	2

26 BLUES TYP 481


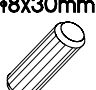


BES.301 =  max. 2kg

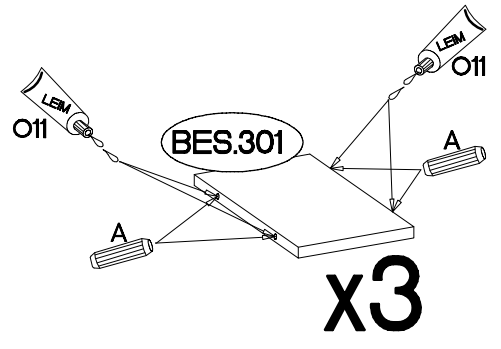
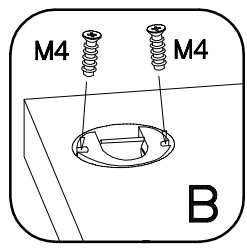
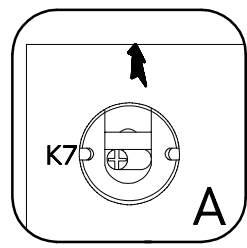
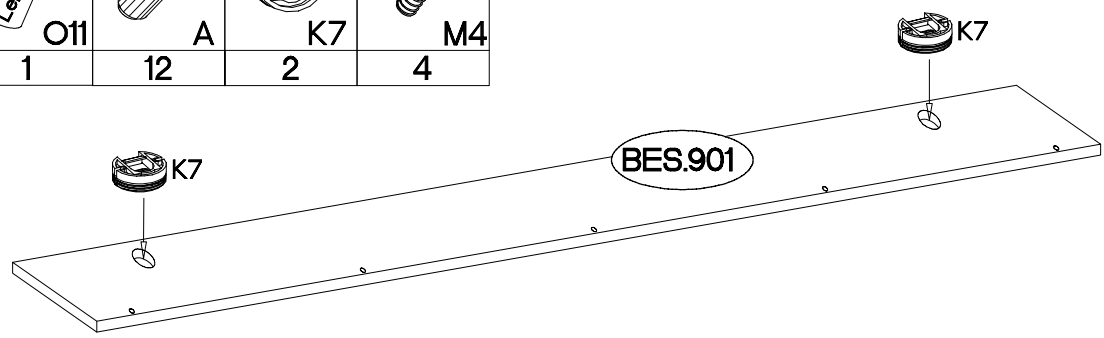
BES.203




±8x30mm		±6,3x9mm	5/45mm	±10x50mm		6,4 x 50mm	±7/2mm
							
A	K7	M4	O3	O7	O	B	J5
12	2	4	2	2	1	5	2

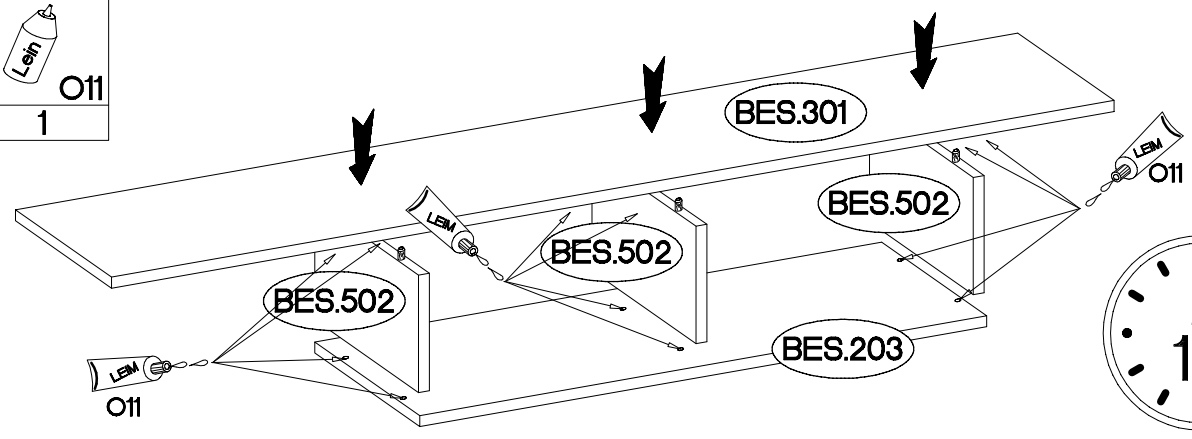
27

0,05  O11	†8x30mm  A	 K7	†6,3x9mm  M4
1	12	2	4

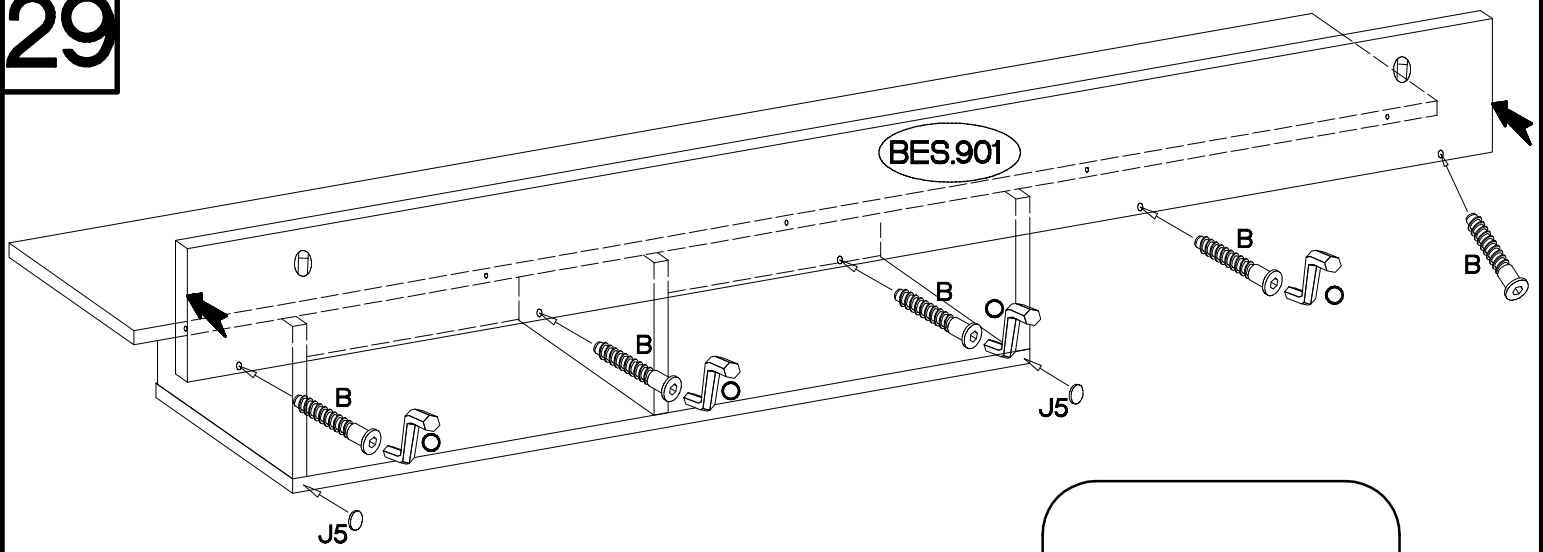





28

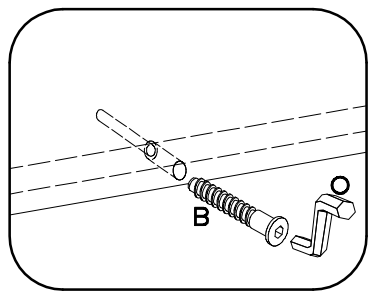
0,05  O11
1

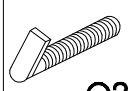



29



 O	6,4 x 50mm  B	†7/2mm  J5
1	5	2



5/45mm	†10x50mm
	
O3	O7
2	2

