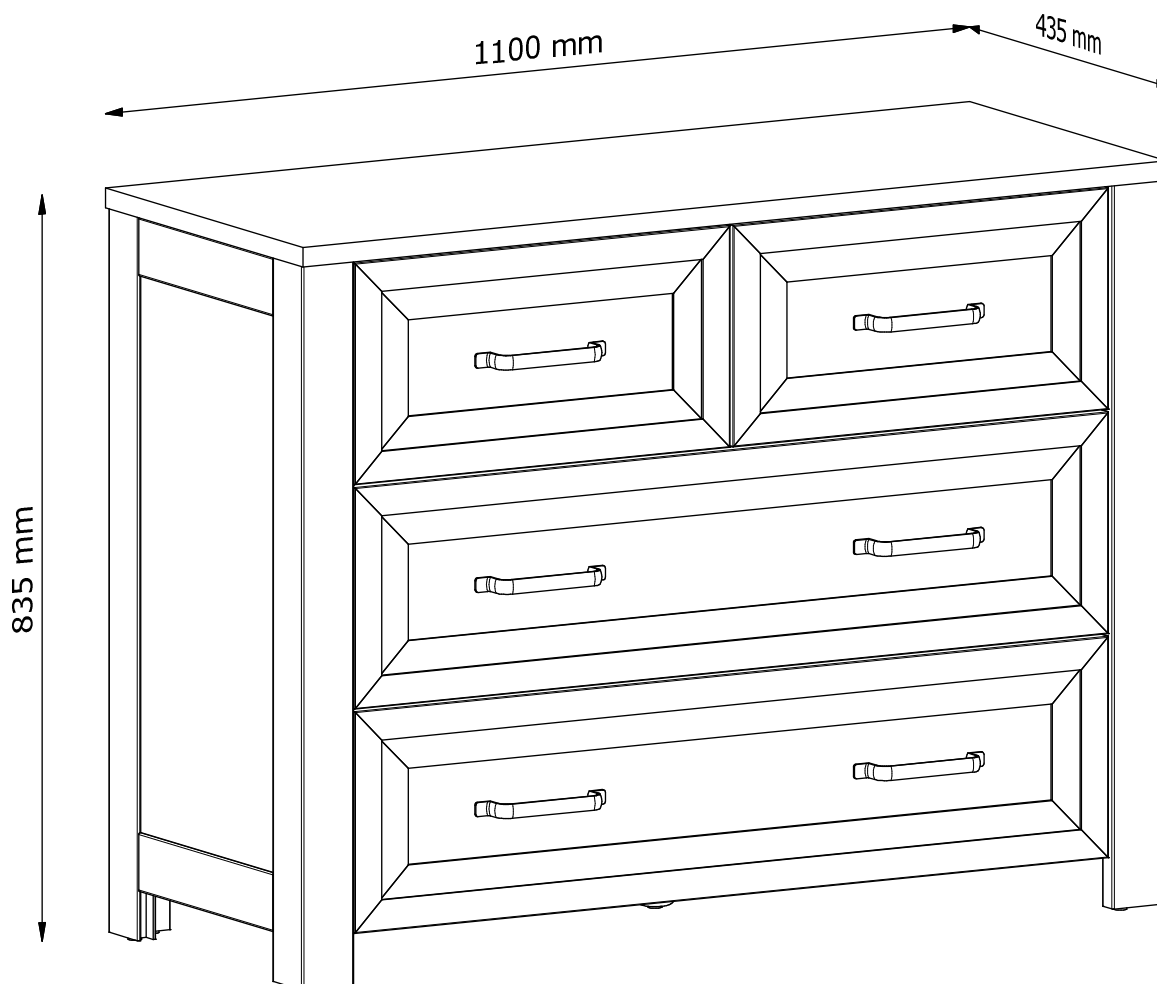


AVEIRO Rev.2

K4S



PL: INSTRUKCJA MONTAŻU

EN: ASSEMBLY MANUAL

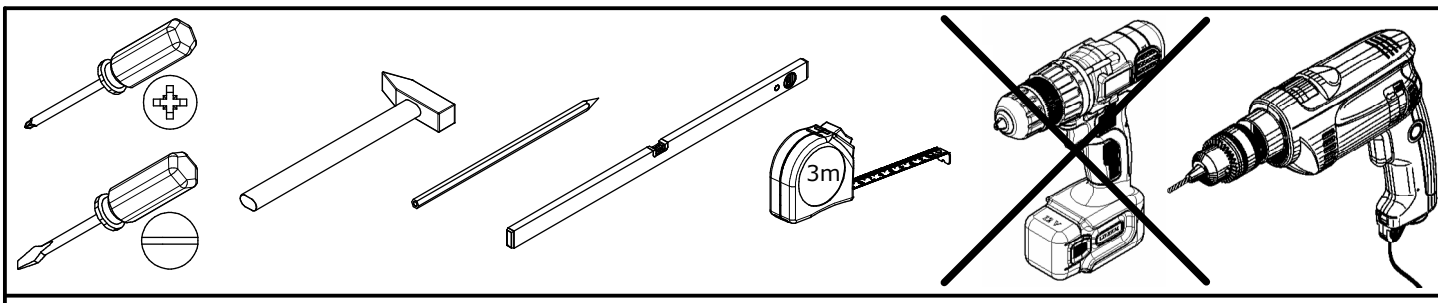
CZ: PŘÍRUČKA PRO MONTÁŽ

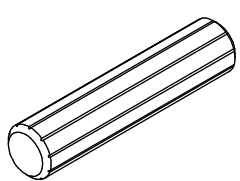
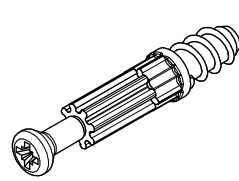
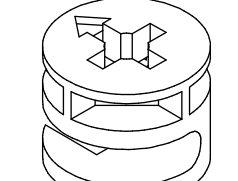
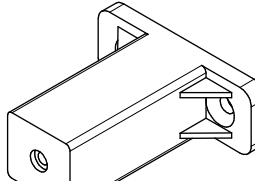
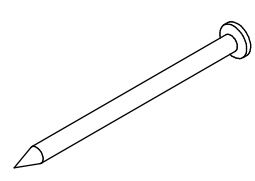
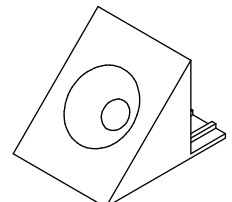
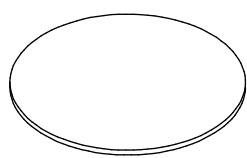
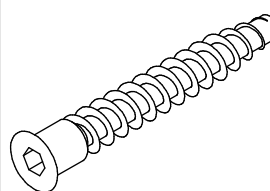
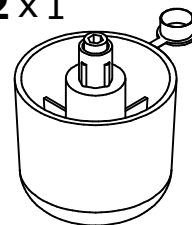
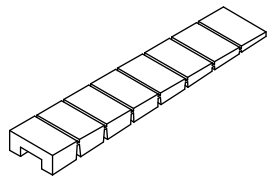
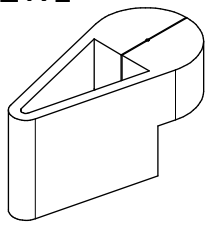
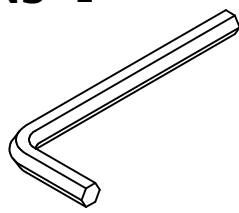
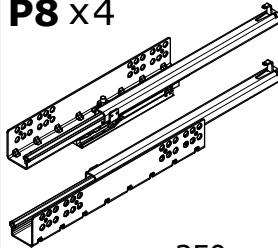
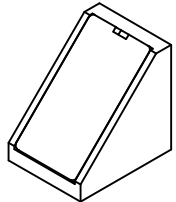
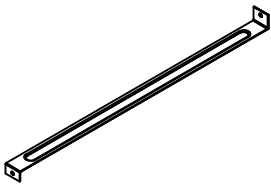
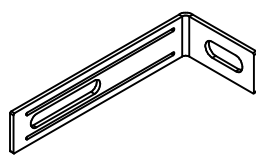
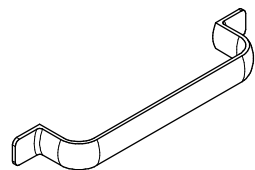
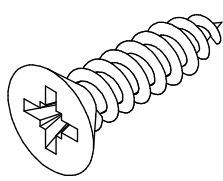
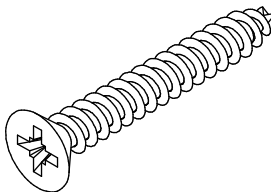
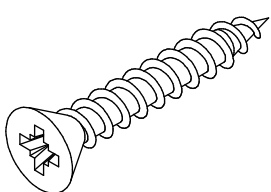
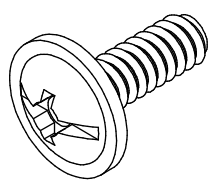
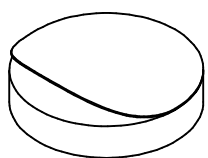
SK: PRÍRUČKA PRE MONTÁŽ

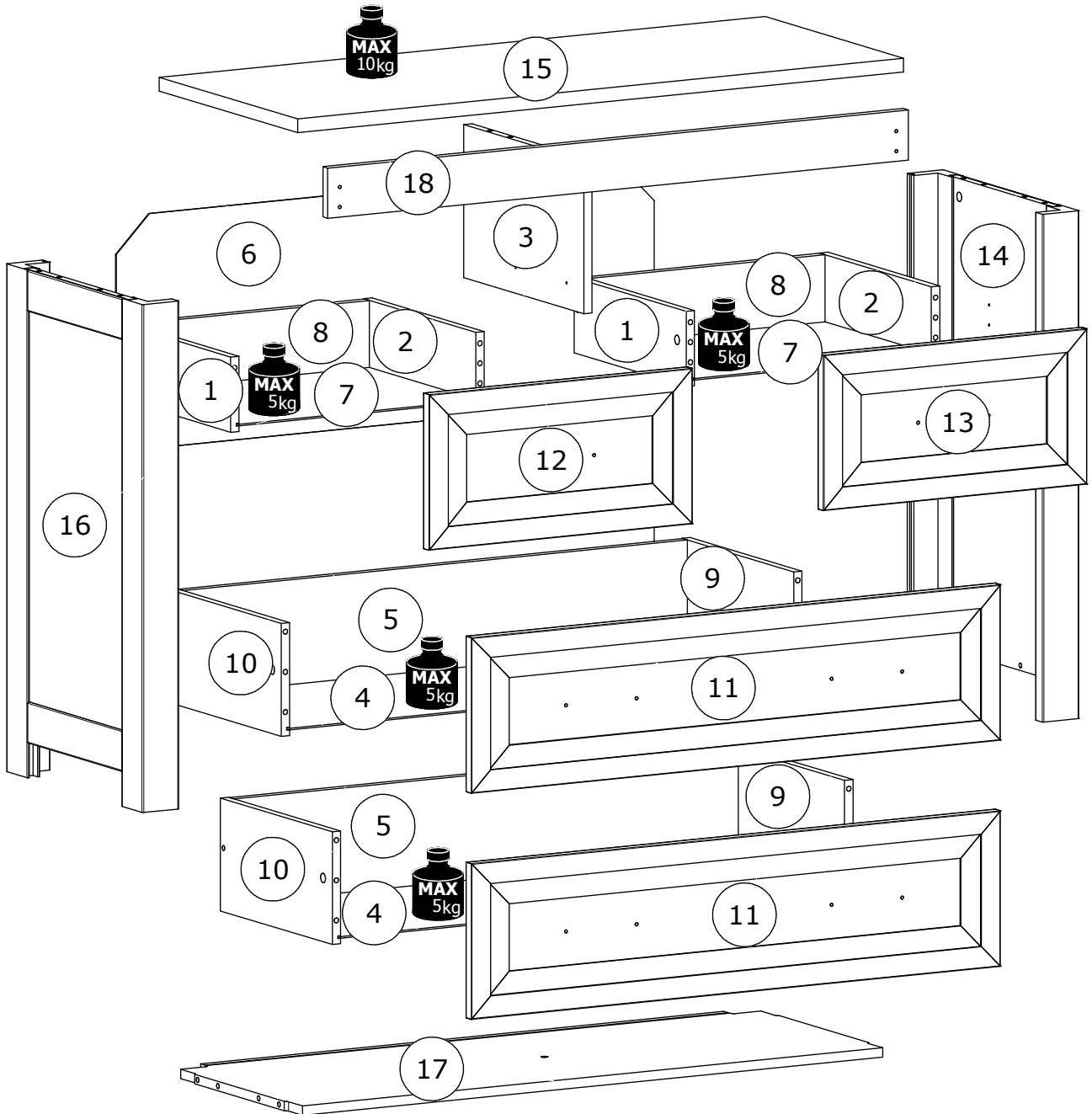
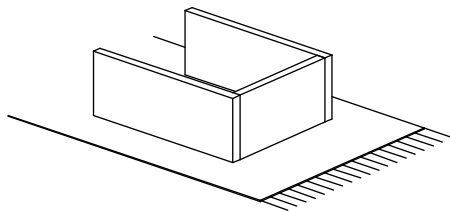
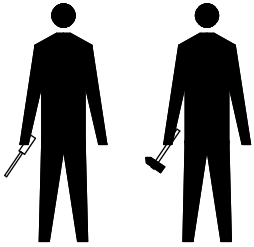
DE: MONTAGEANLEITUNG

SR: UPUTSTVO ZA INSTALACIJU

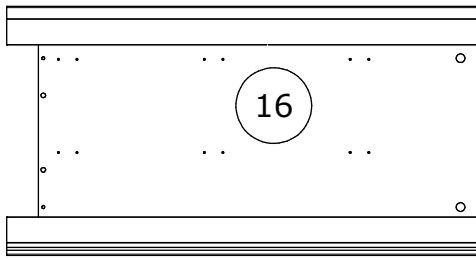
NL: MONTAGE-INSTRUCTIES



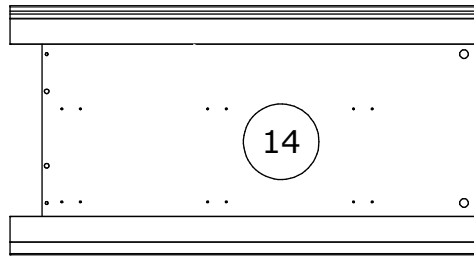
<p>A1 x42</p>  <p>Ø8x35mm</p>	<p>B1 x18</p>  <p>Ø5x38mm</p>	<p>C1 x18</p>  <p>Ø15x12mm</p>	<p>F4 x12</p>  <p>53mm</p>	<p>G1 x24</p>  <p>26mm</p>
<p>G2 x16</p>  <p>14x14mm</p>	<p>J9 x8</p>  <p>Ø21mm</p>	<p>K1 x8</p>  <p>Ø6,4x50mm</p>	<p>L2 x1</p>  <p>Ø49x43mm</p>	<p>L3 x2</p> 
<p>N1 x1</p> 	<p>N3 x1</p>  <p>4mm HEX</p>	<p>P8 x4</p>  <p>350mm</p>	<p>R1 x4</p>  <p>24x24x19mm</p>	<p>S4 x2</p>  <p>350mm</p>
<p>T1 x2</p>  <p>76x15mm</p>	<p>U9 x6</p>  <p>165x16mm</p>	<p>W2 x60</p>  <p>Ø3,5x16mm</p>	<p>W5 x16</p>  <p>Ø4x30mm</p>	<p>W11 x8</p>  <p>Ø3x20mm</p>
<p>X1 x12</p>  <p>M4x14mm</p>	<p>Y2 x9</p>  <p>Ø16mm</p>			



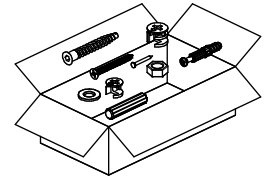
1/3



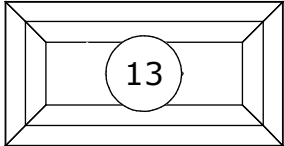
810x428x66mm



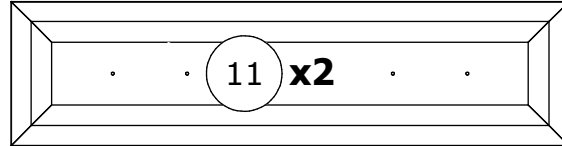
810x428x66mm



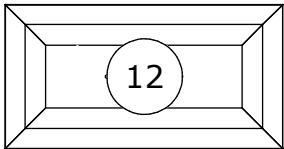
2/3



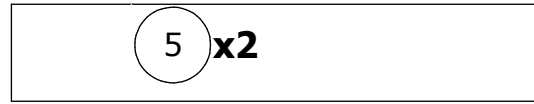
478x248x18mm



960x248x18mm

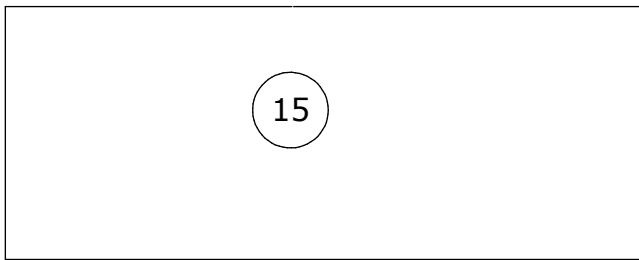


478x248x18mm

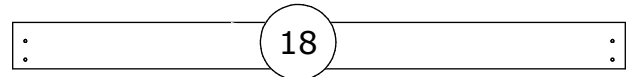


167x915x15mm

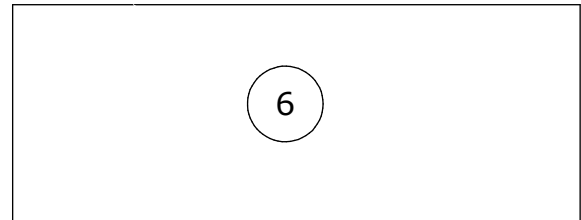
3/3



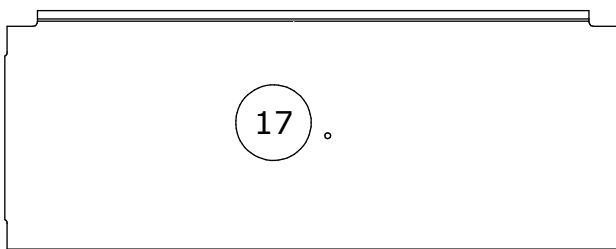
1100x435x22mm



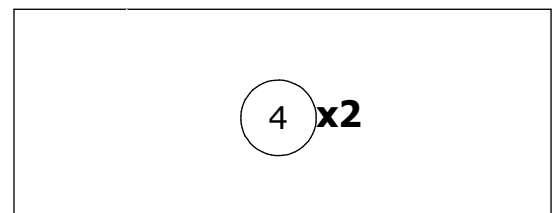
80x1054x15mm



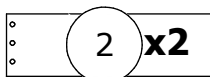
976x749x2,5mm



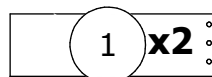
1061x410x15mm



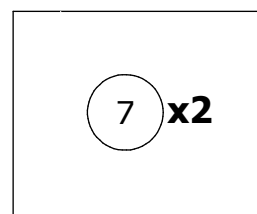
924x355x2,5mm



120x352x15mm



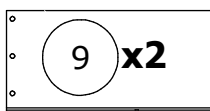
120x352x15mm



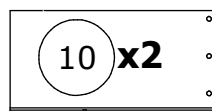
439x355x2,5mm



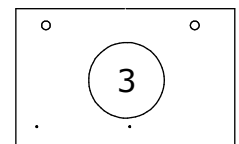
107x430x15mm



180x352x15mm

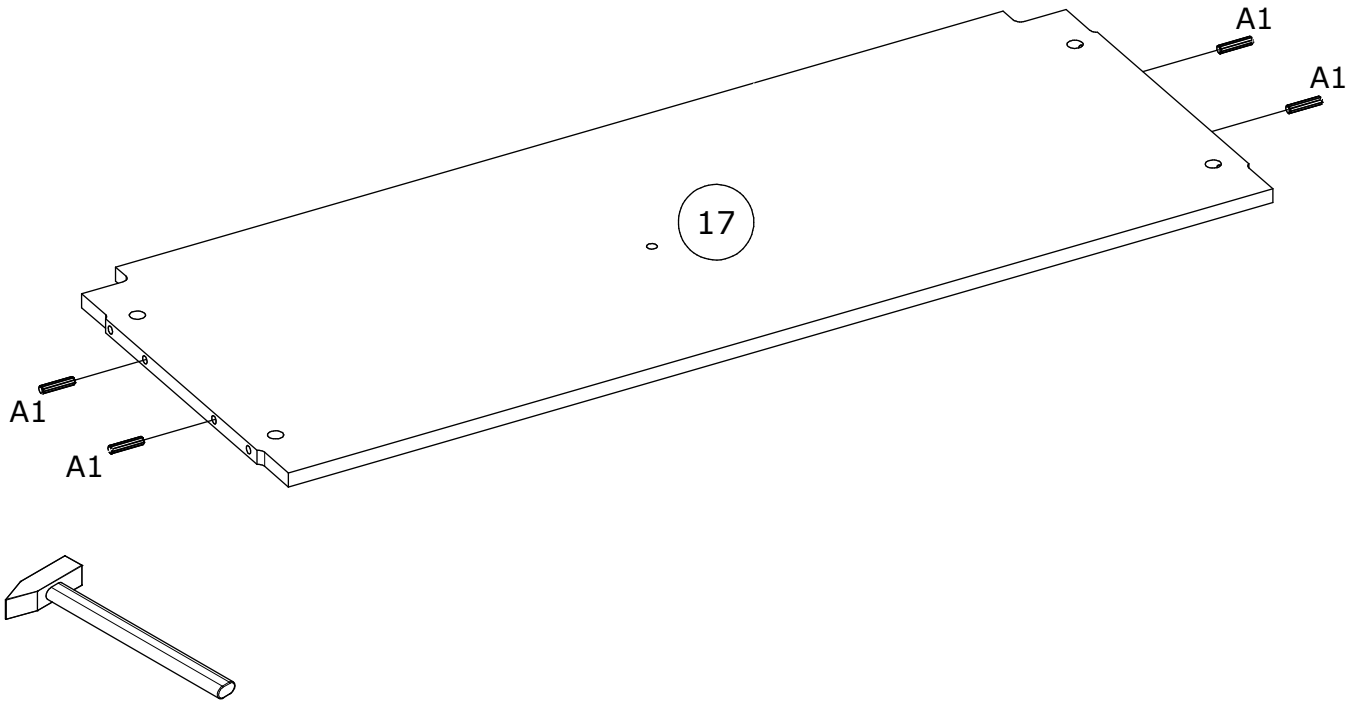
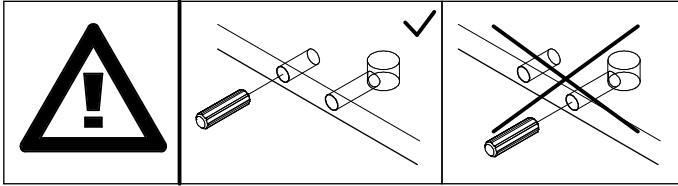


180x352x15mm

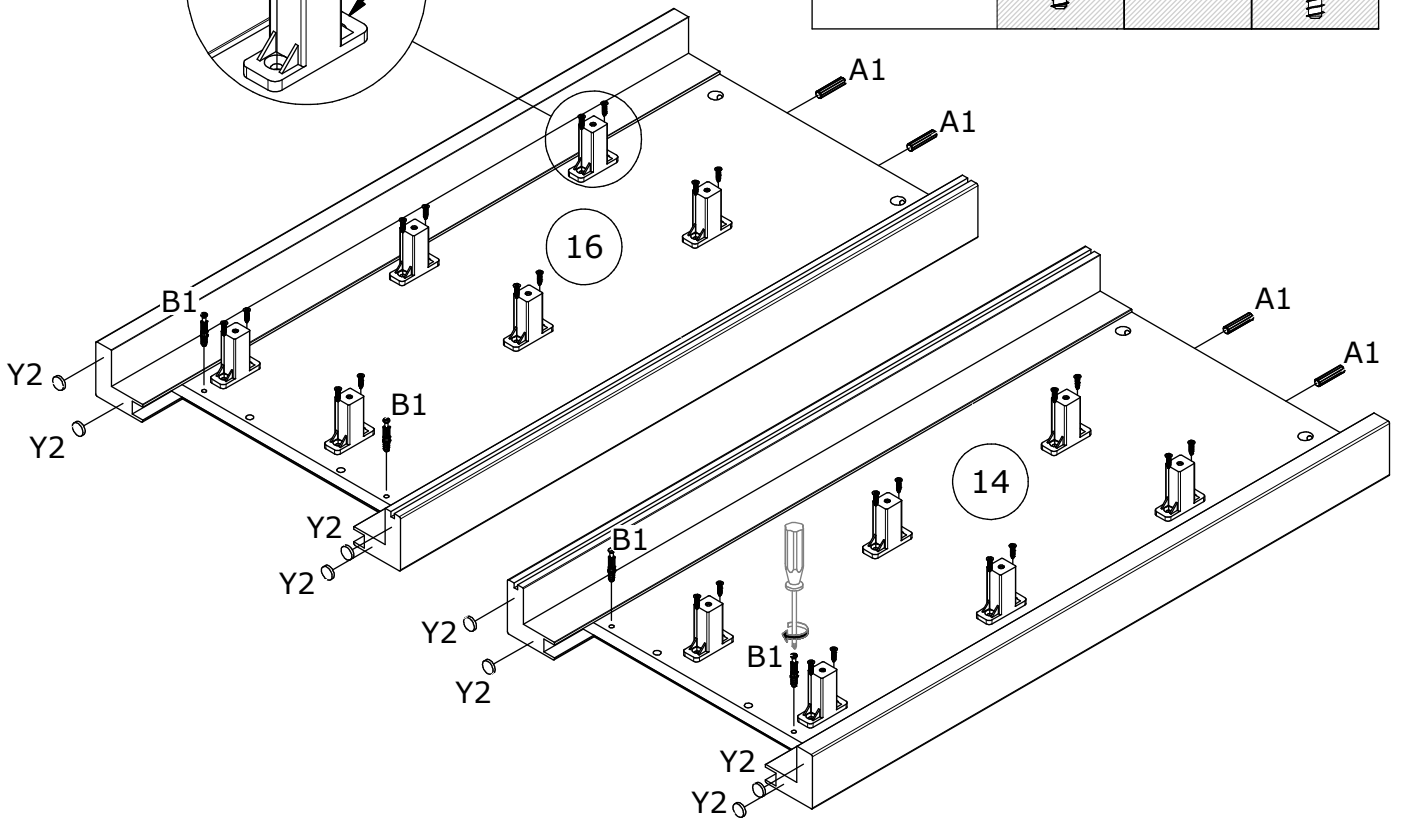
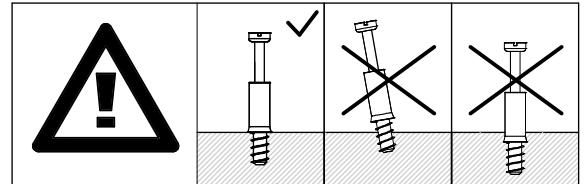
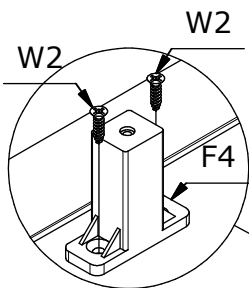


244x377x15mm

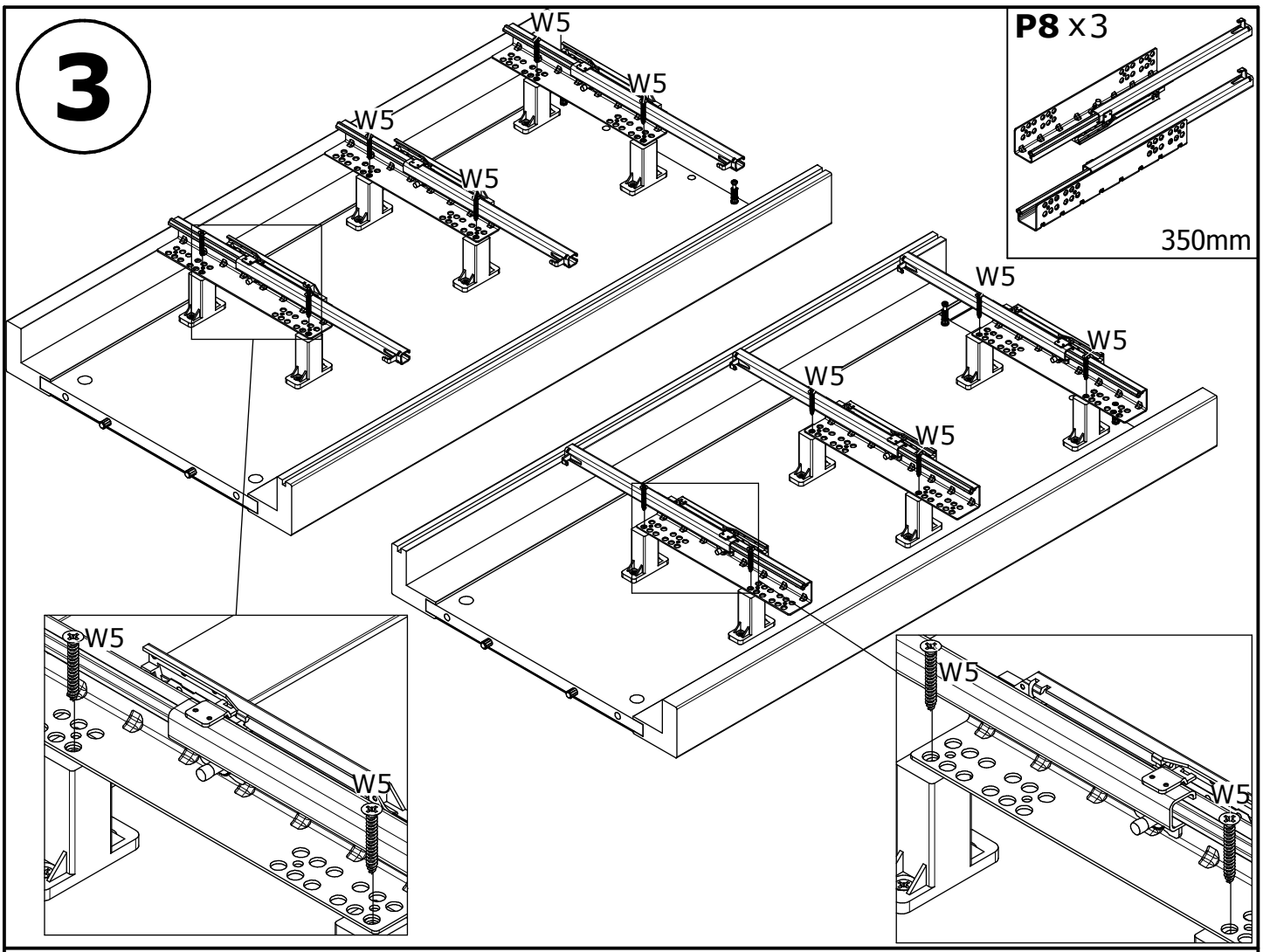
1



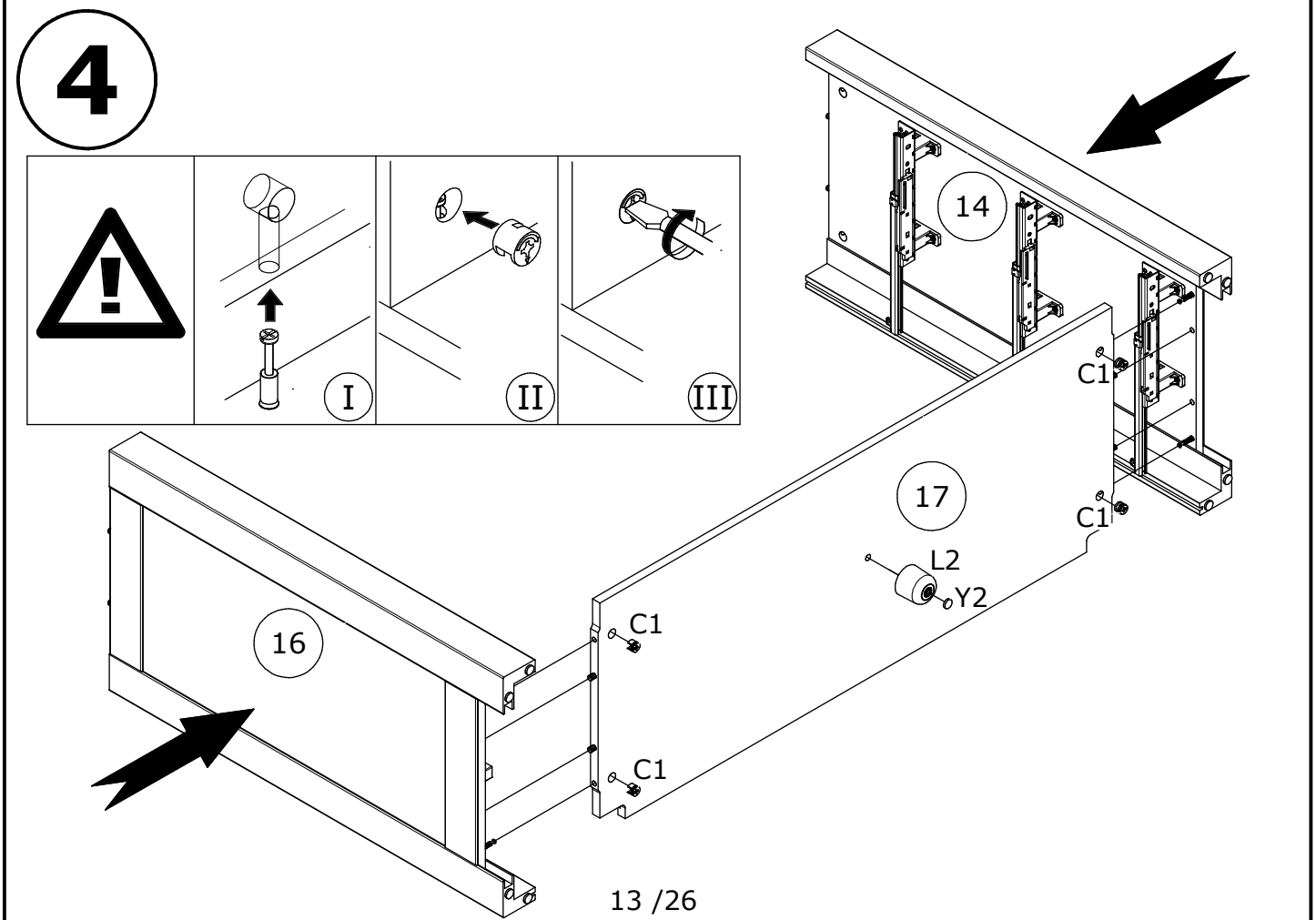
2

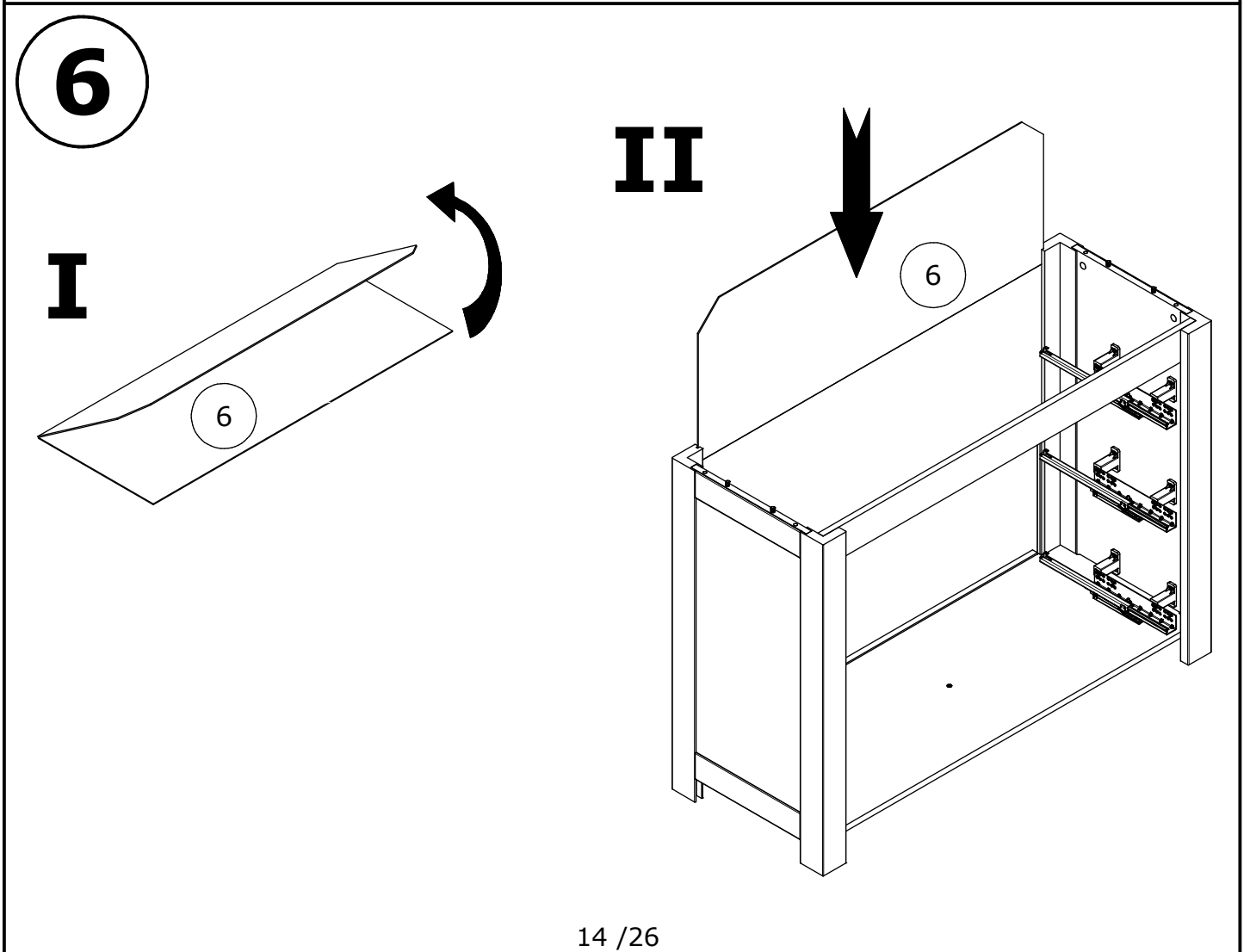
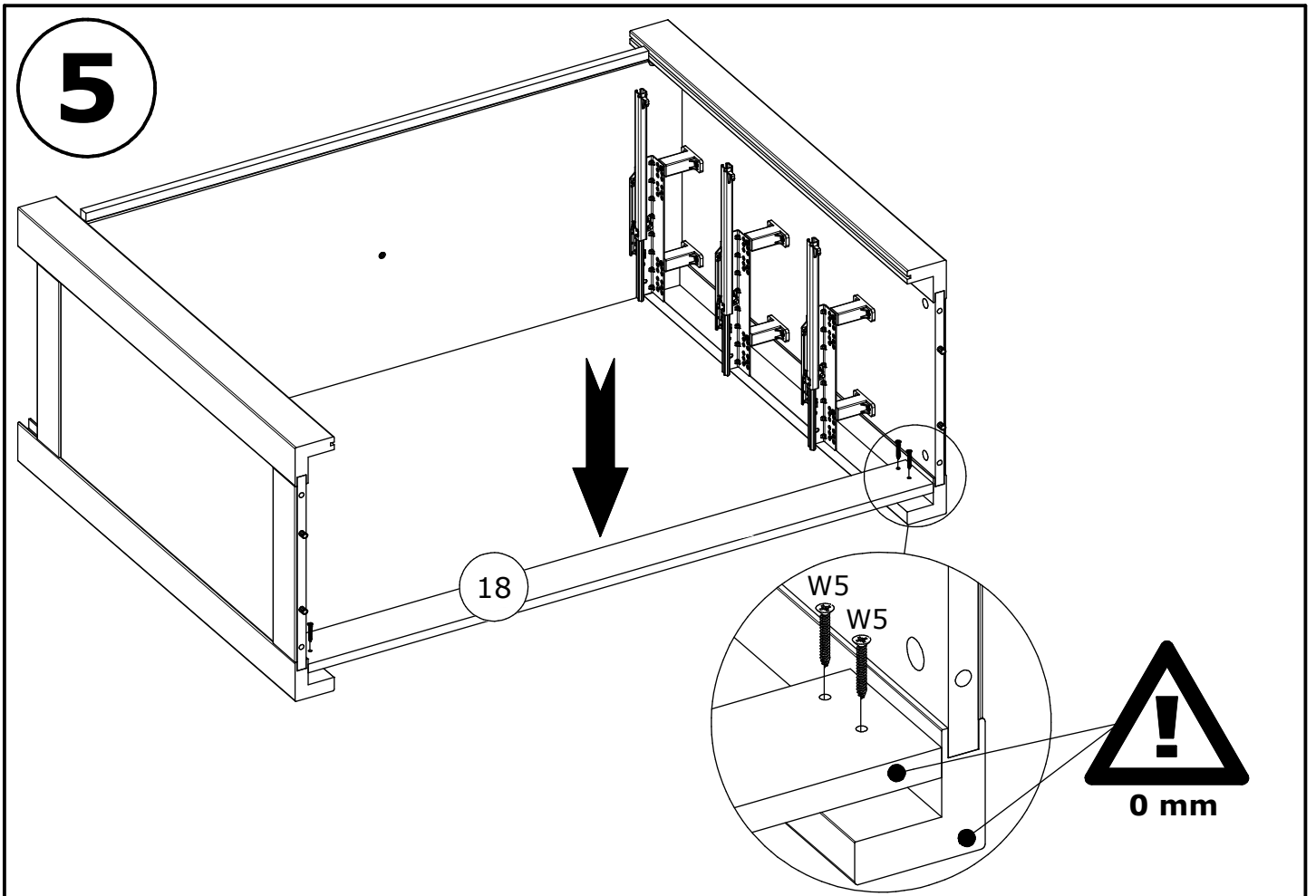


3

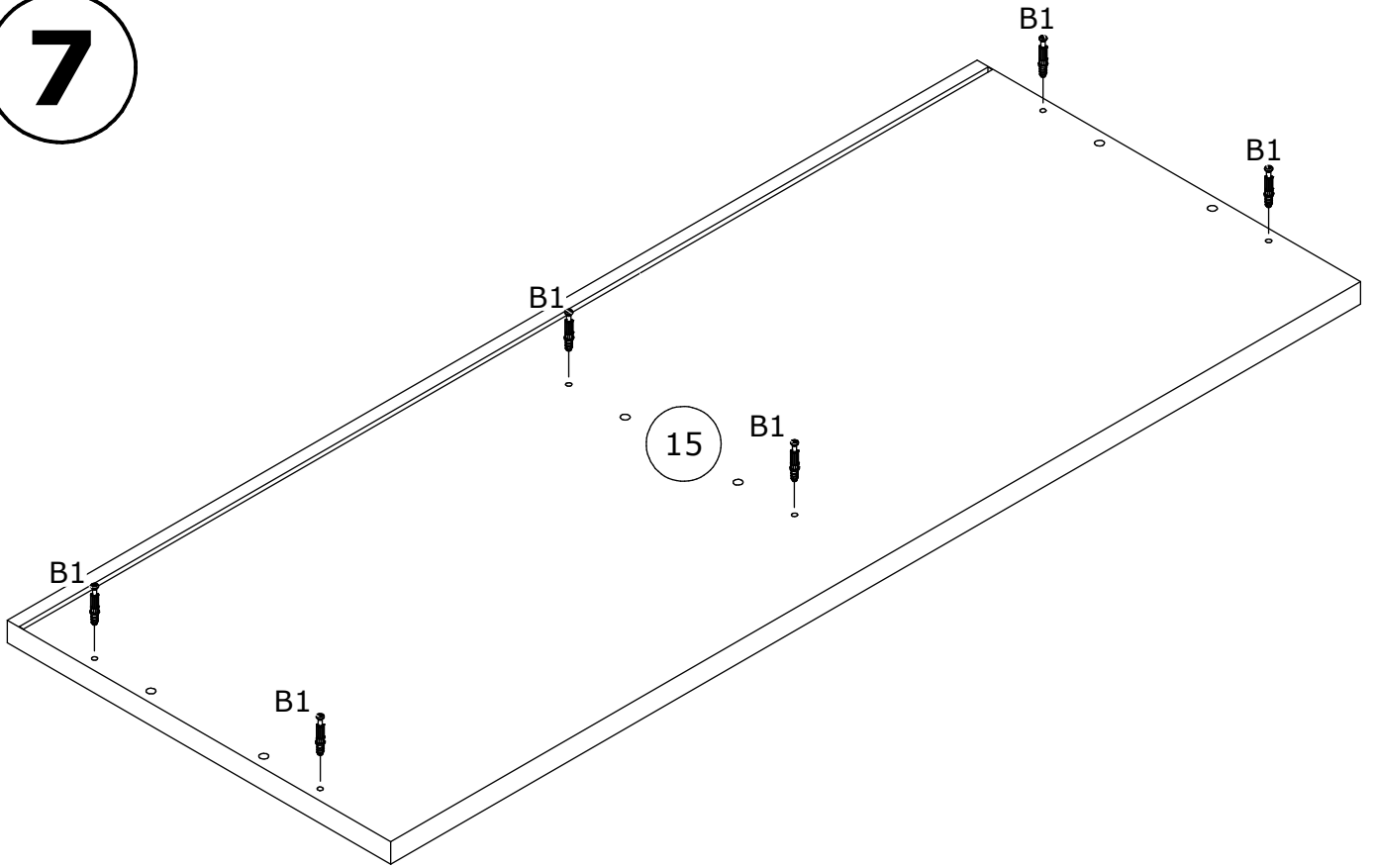


4

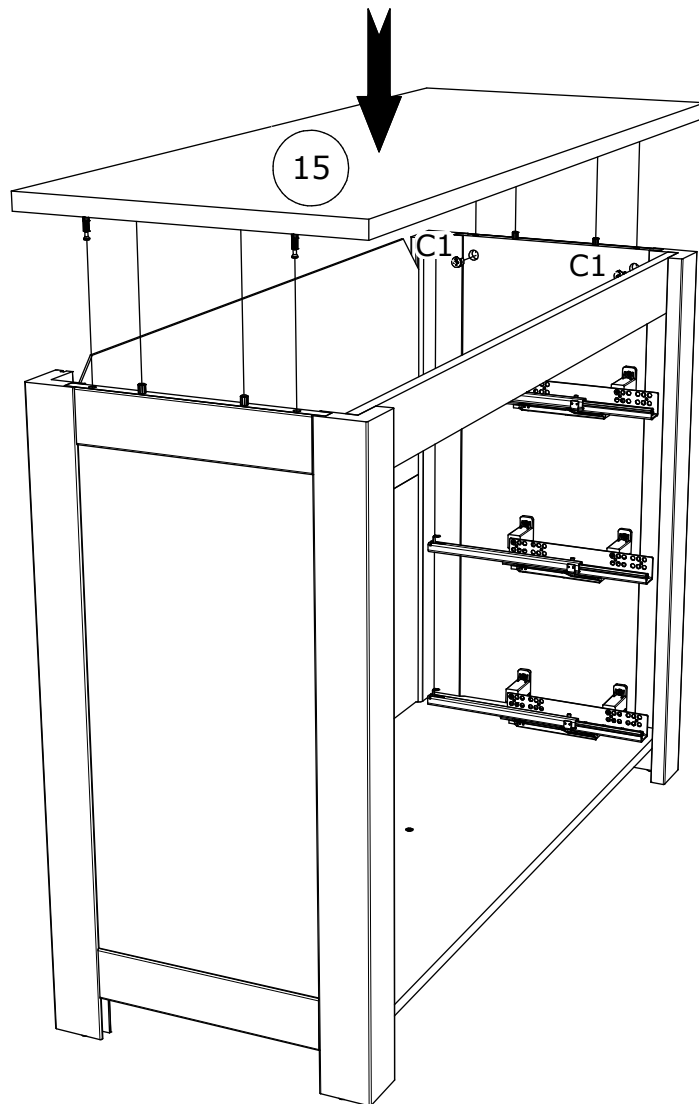


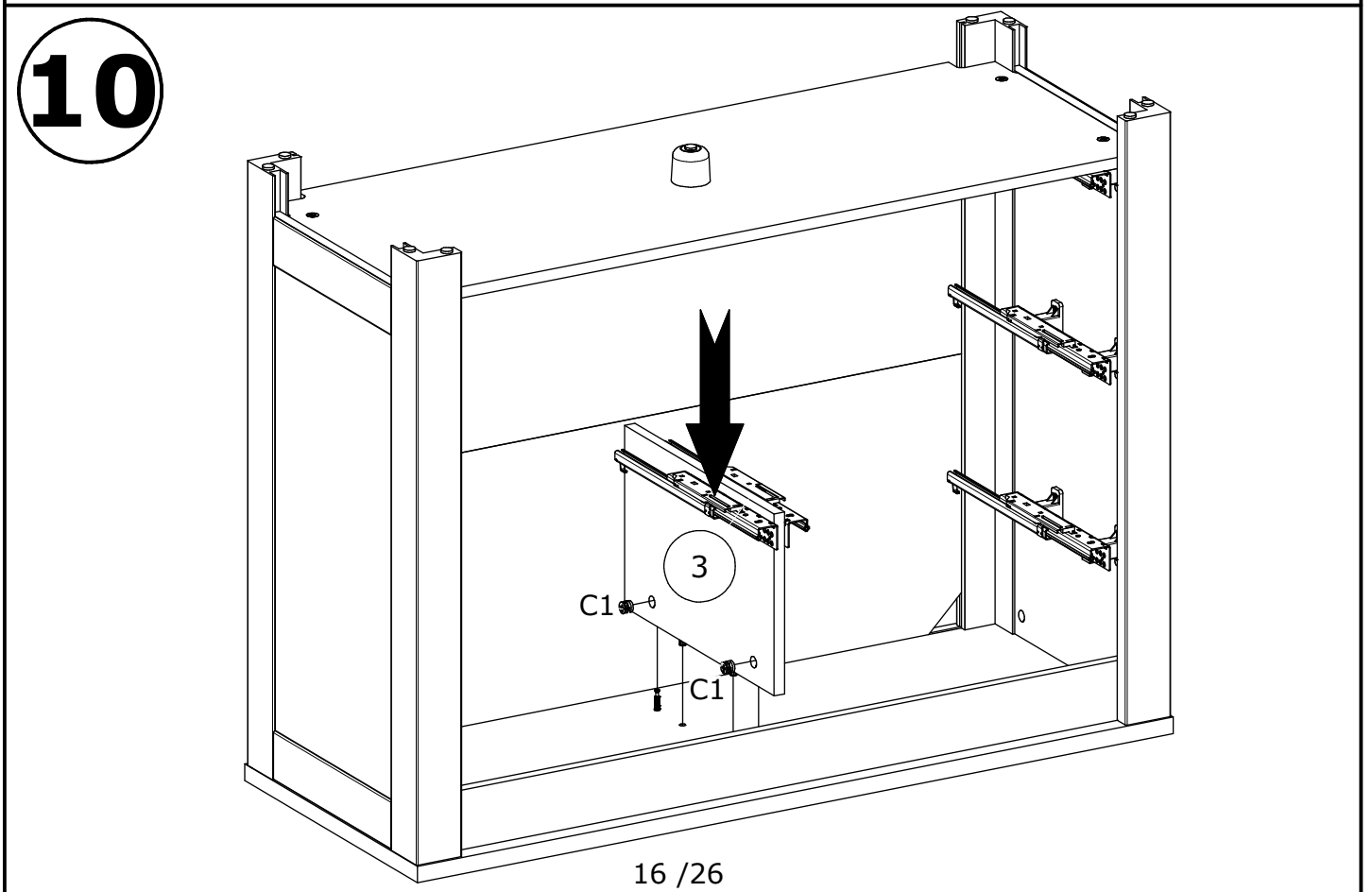
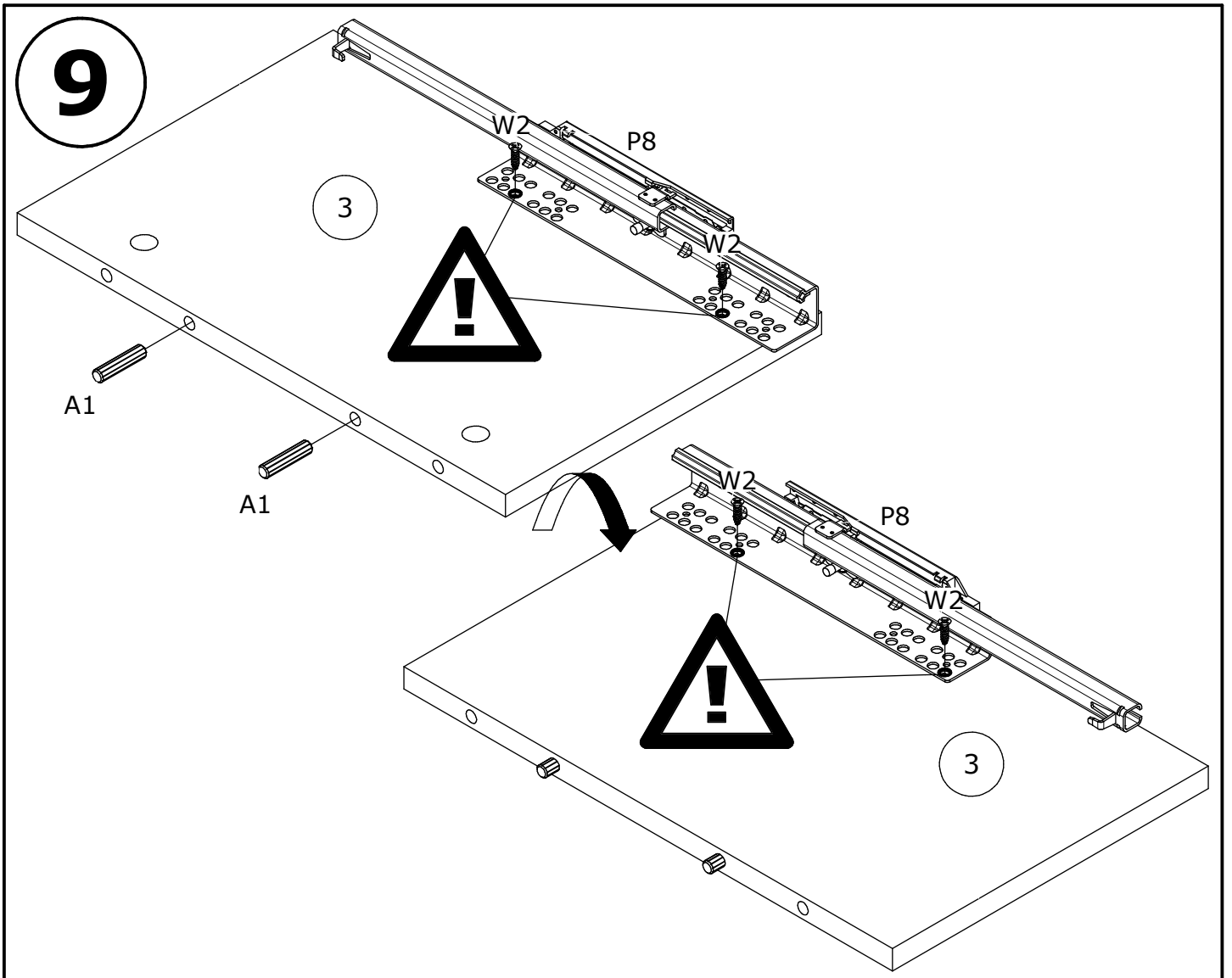


7



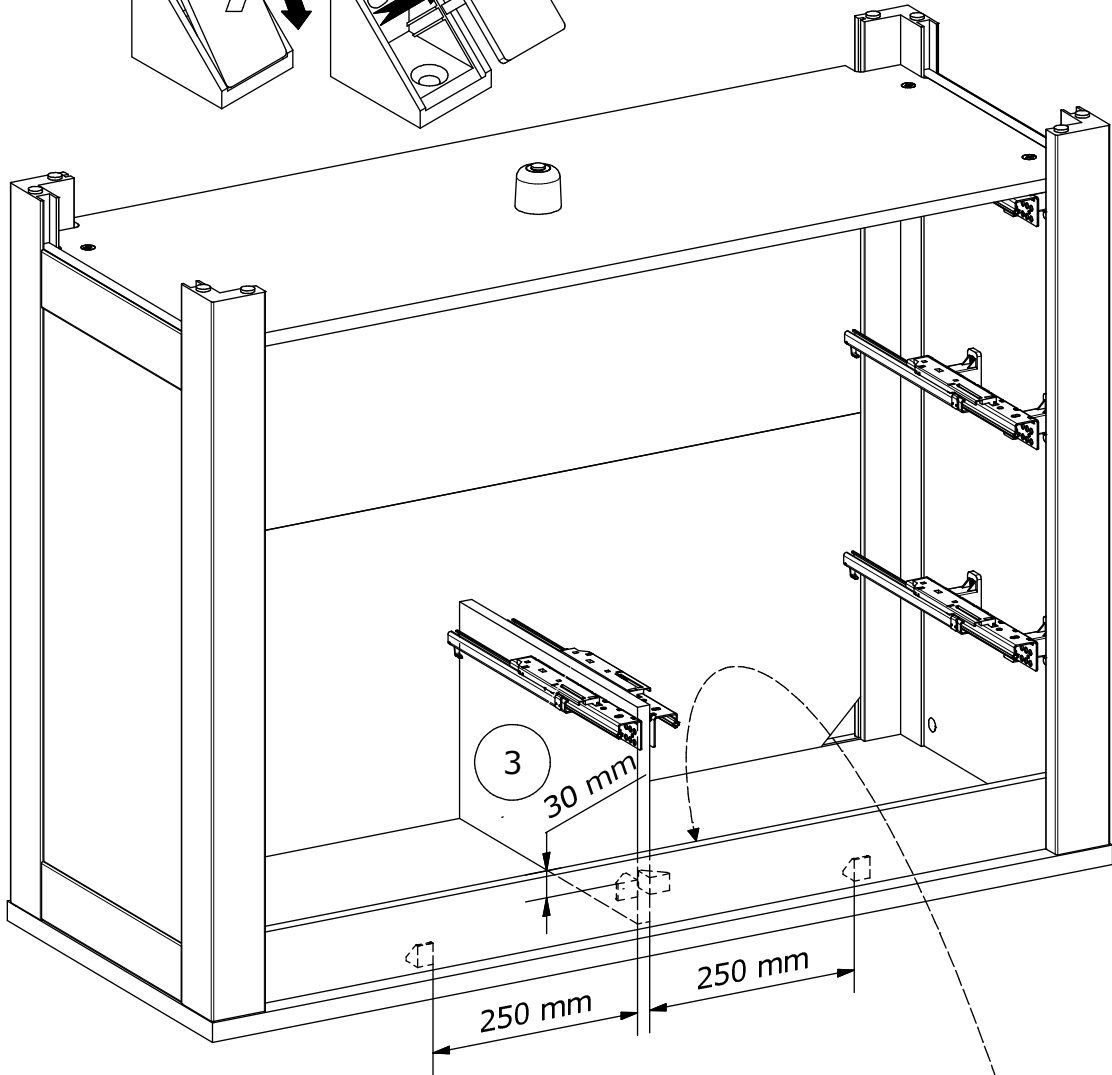
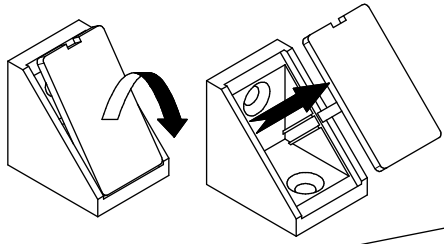
8



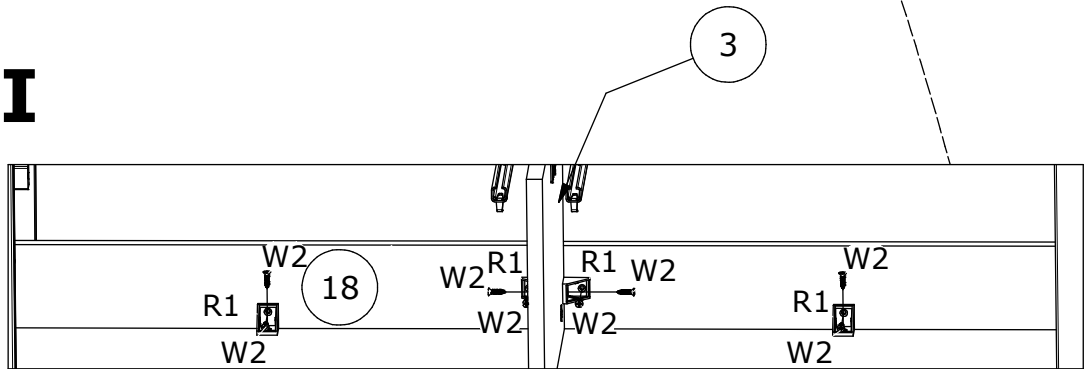


11

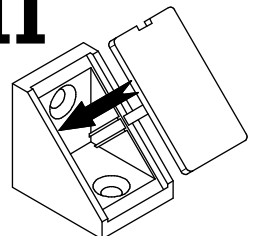
I



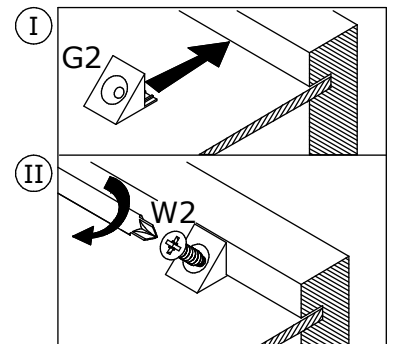
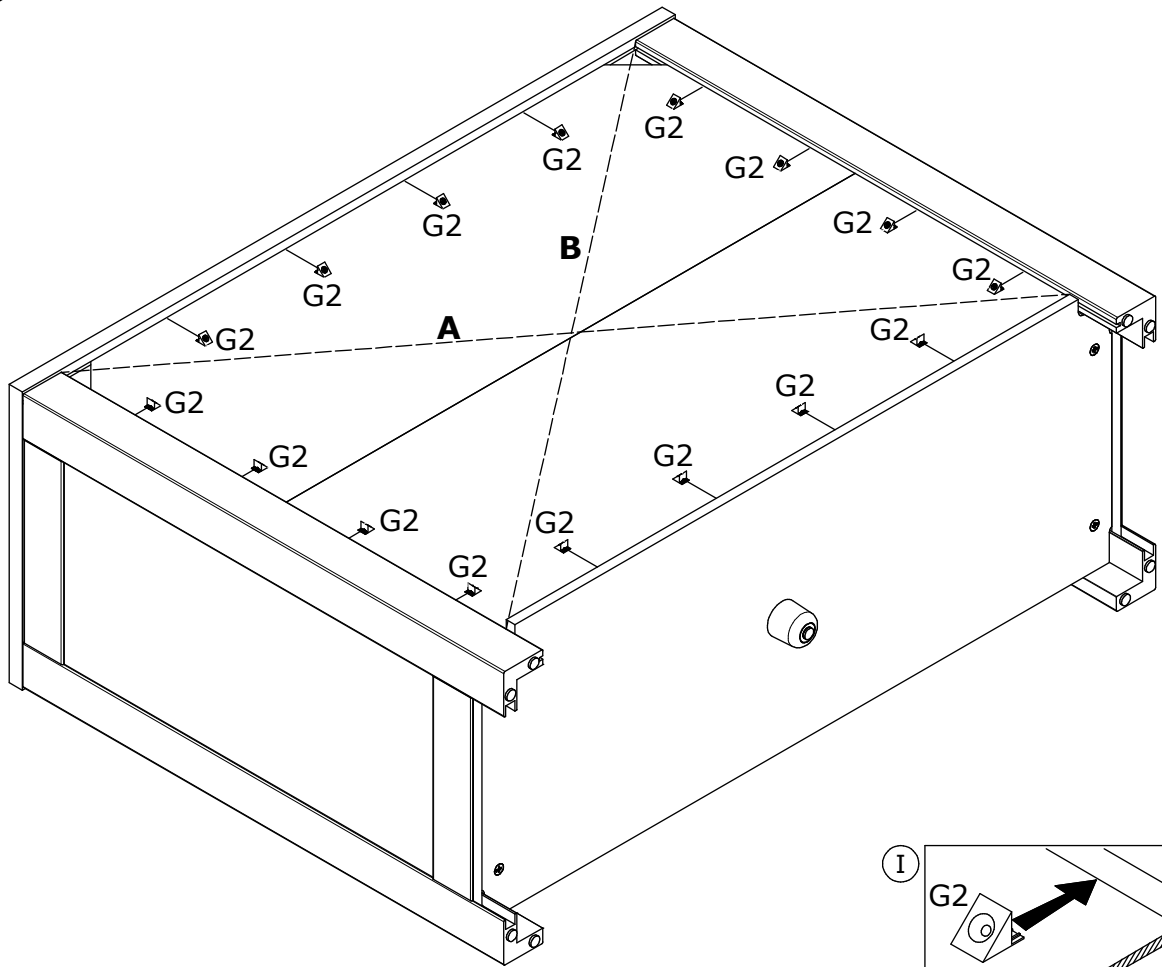
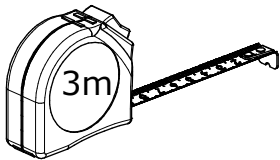
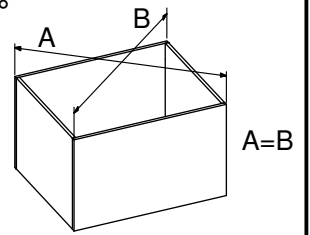
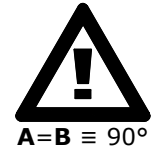
II



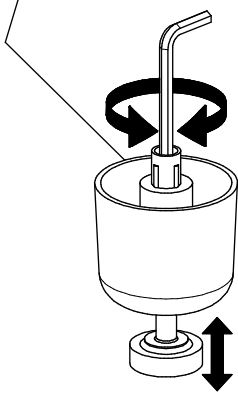
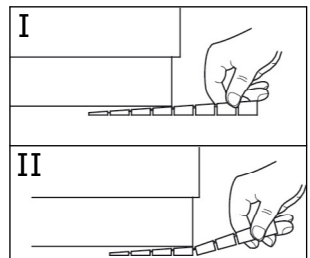
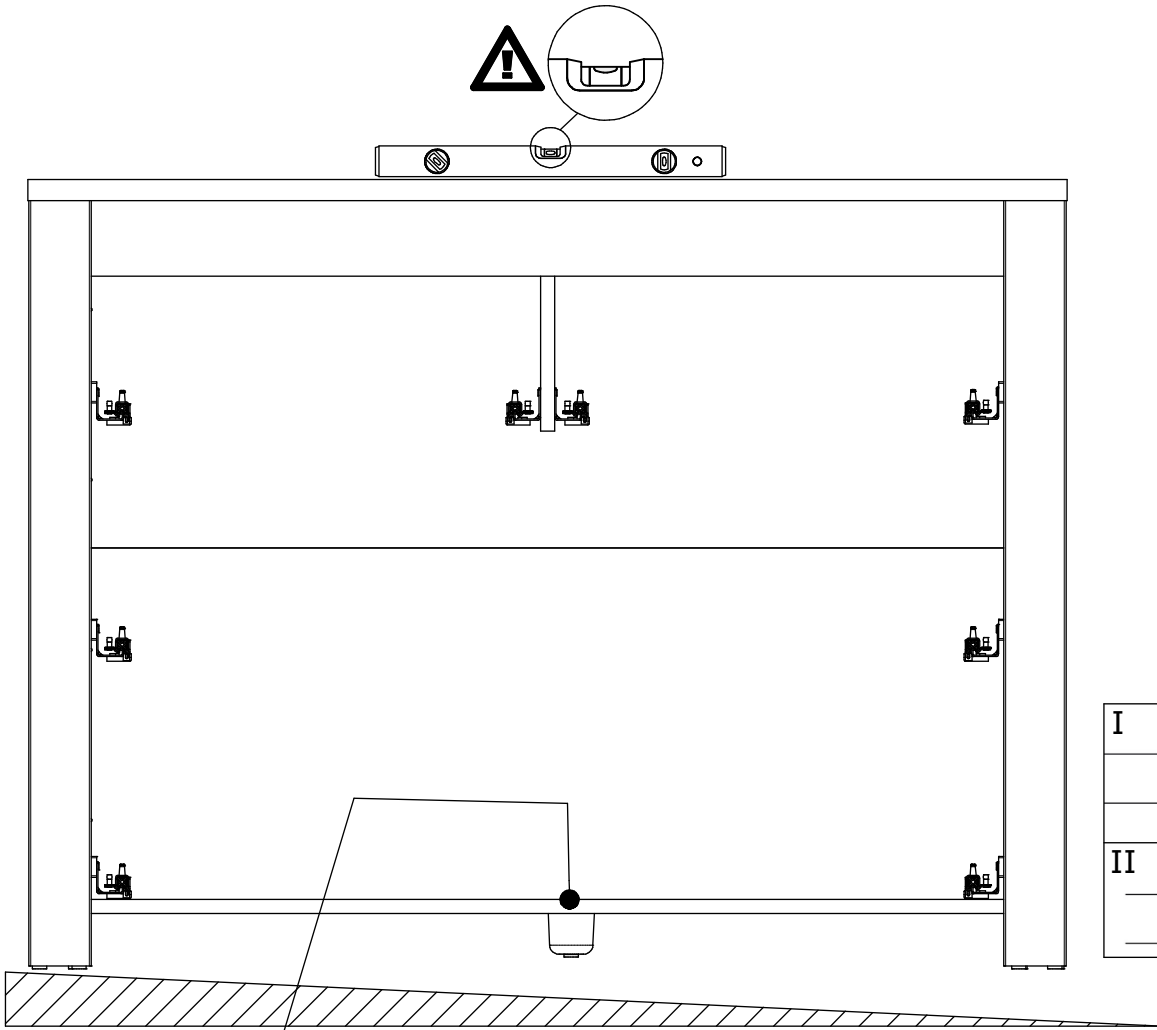
III



12

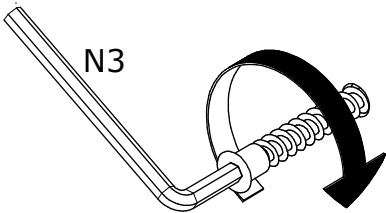
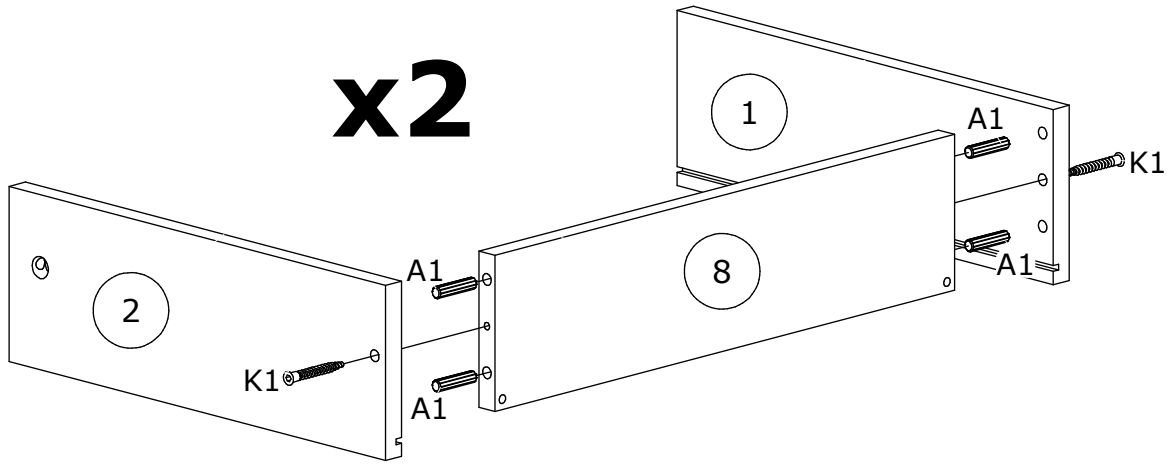


13

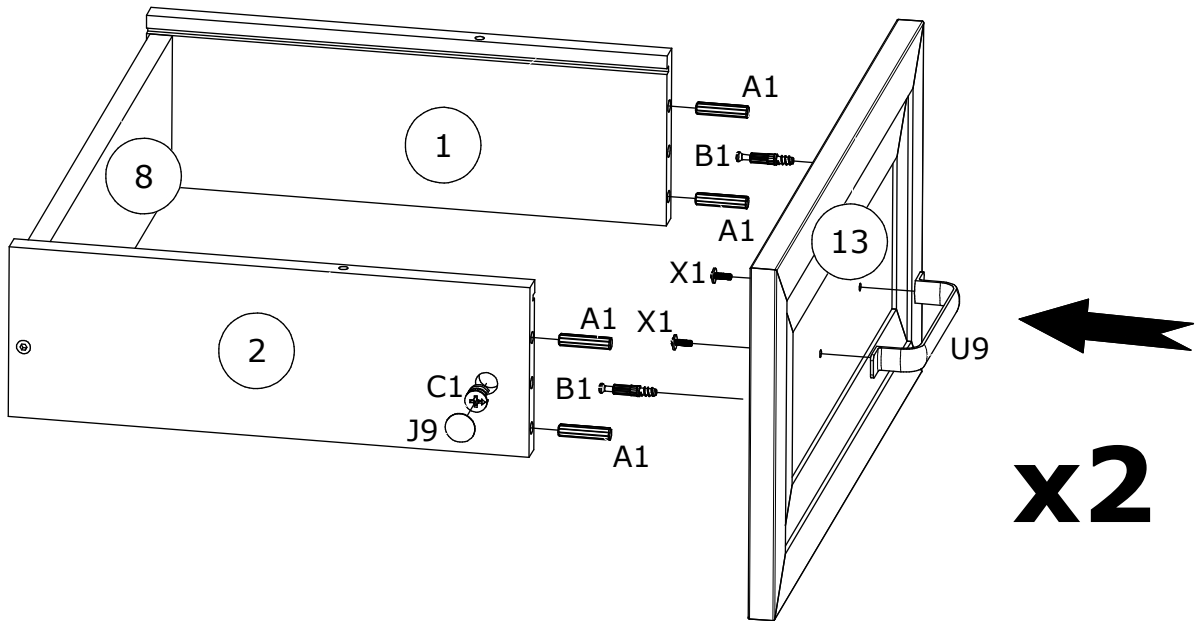


14

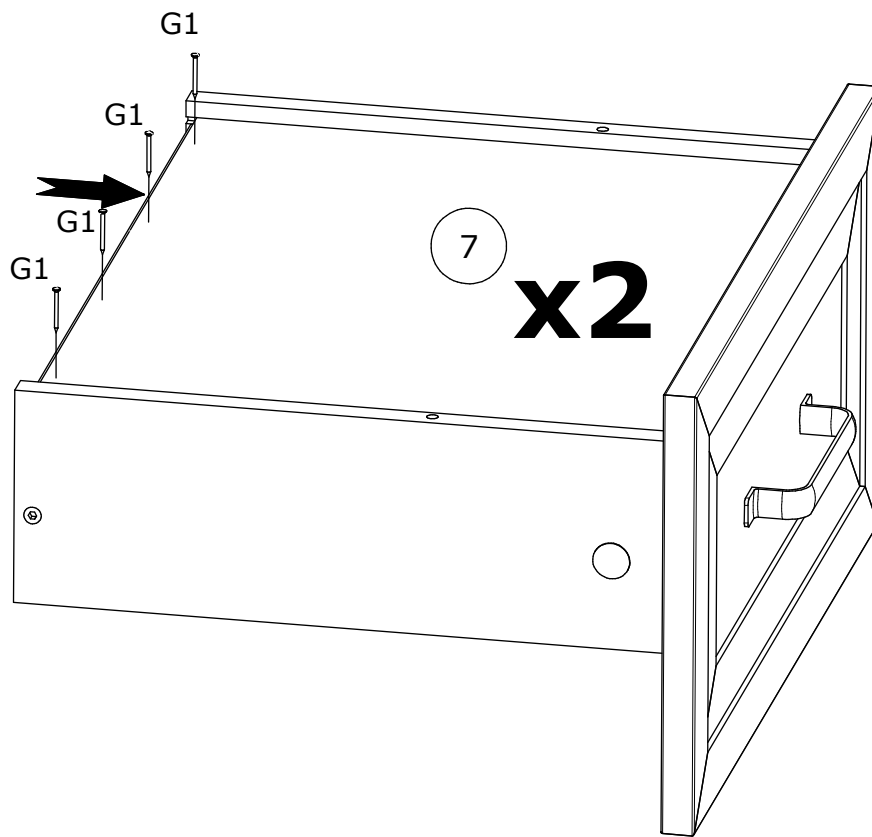
x2



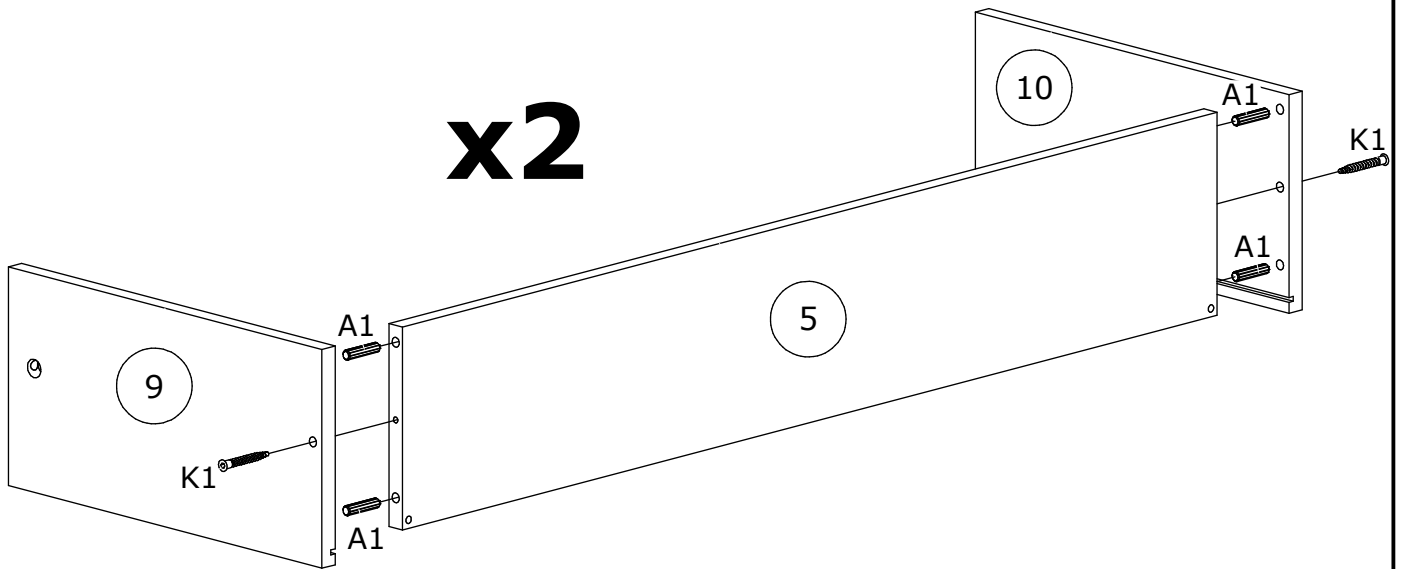
15



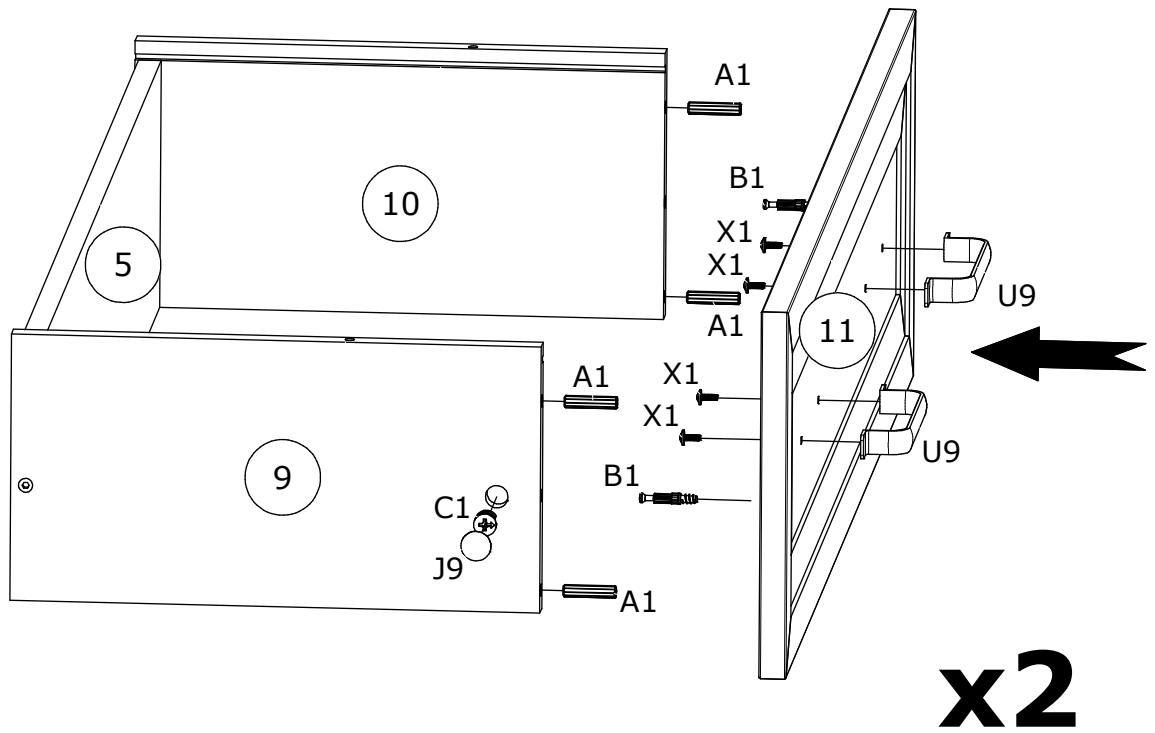
16



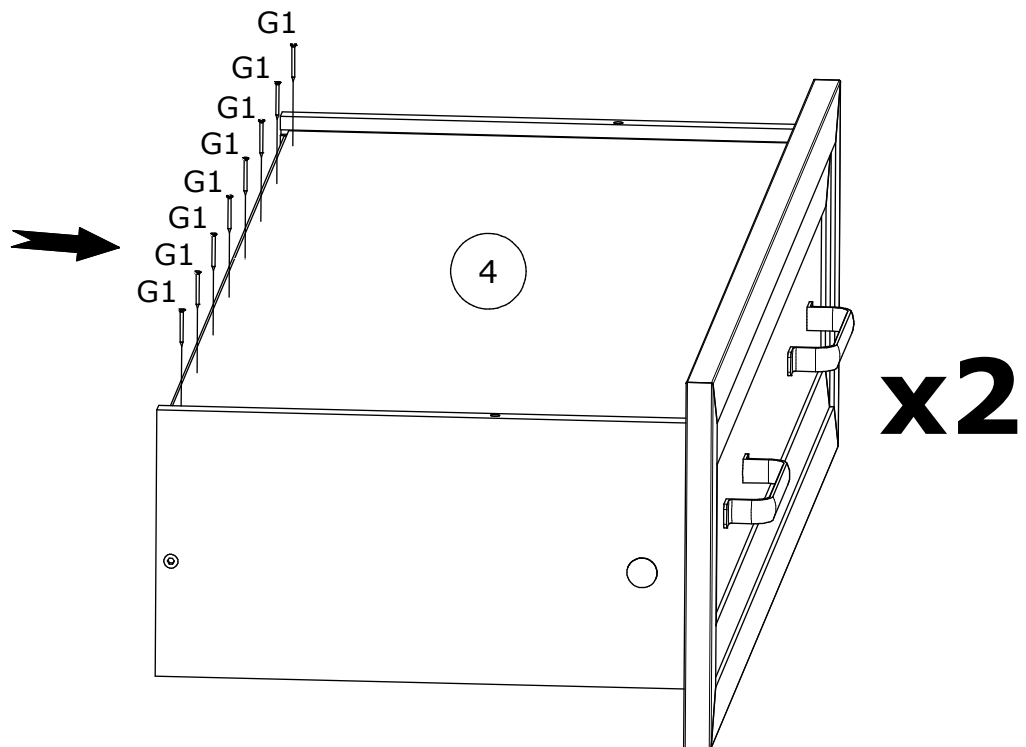
17



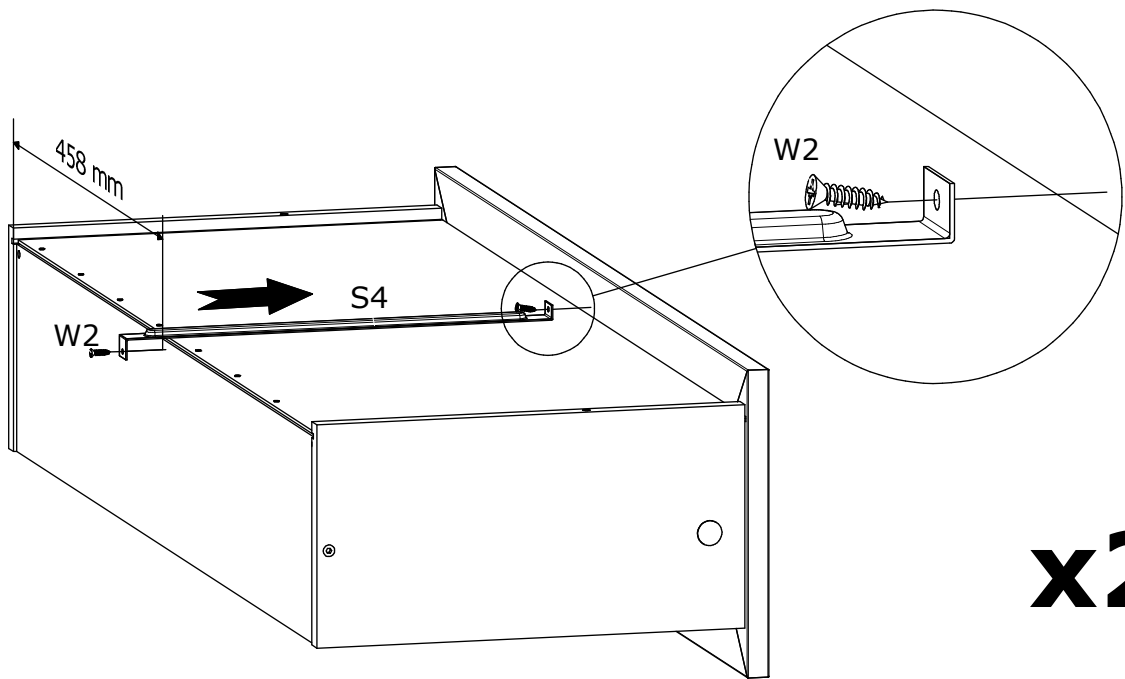
18



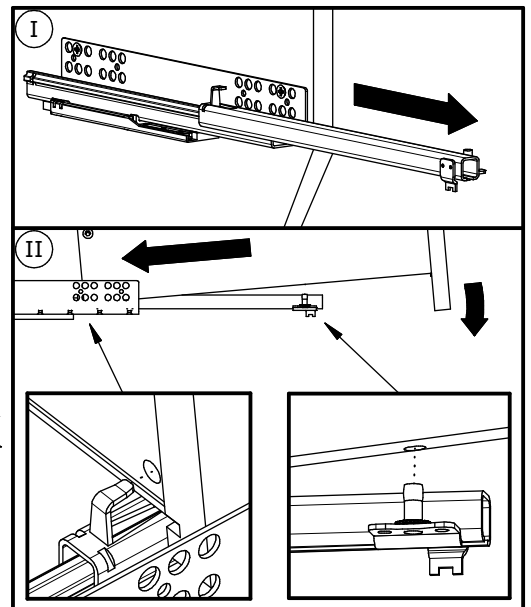
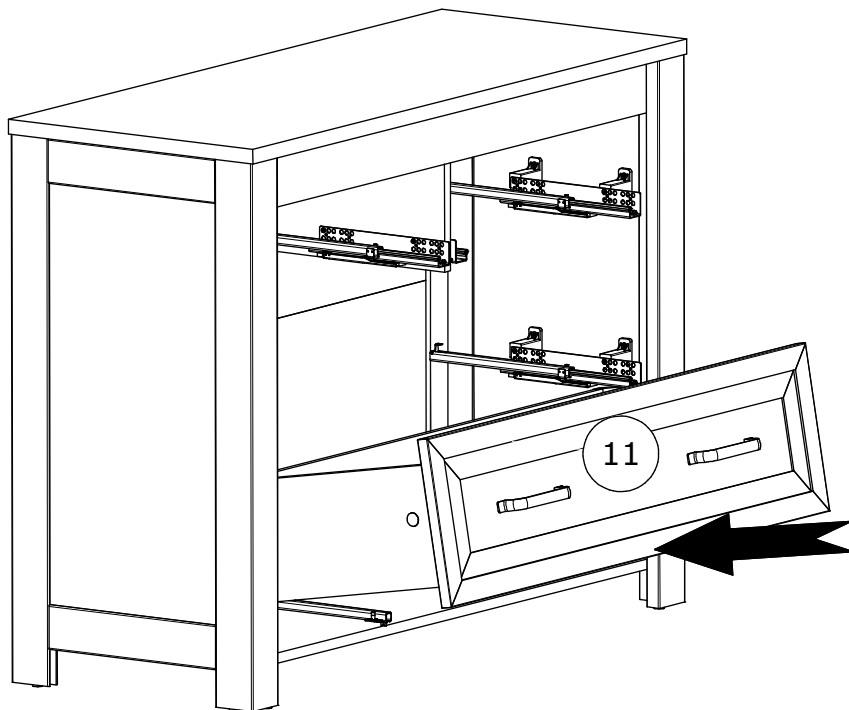
19



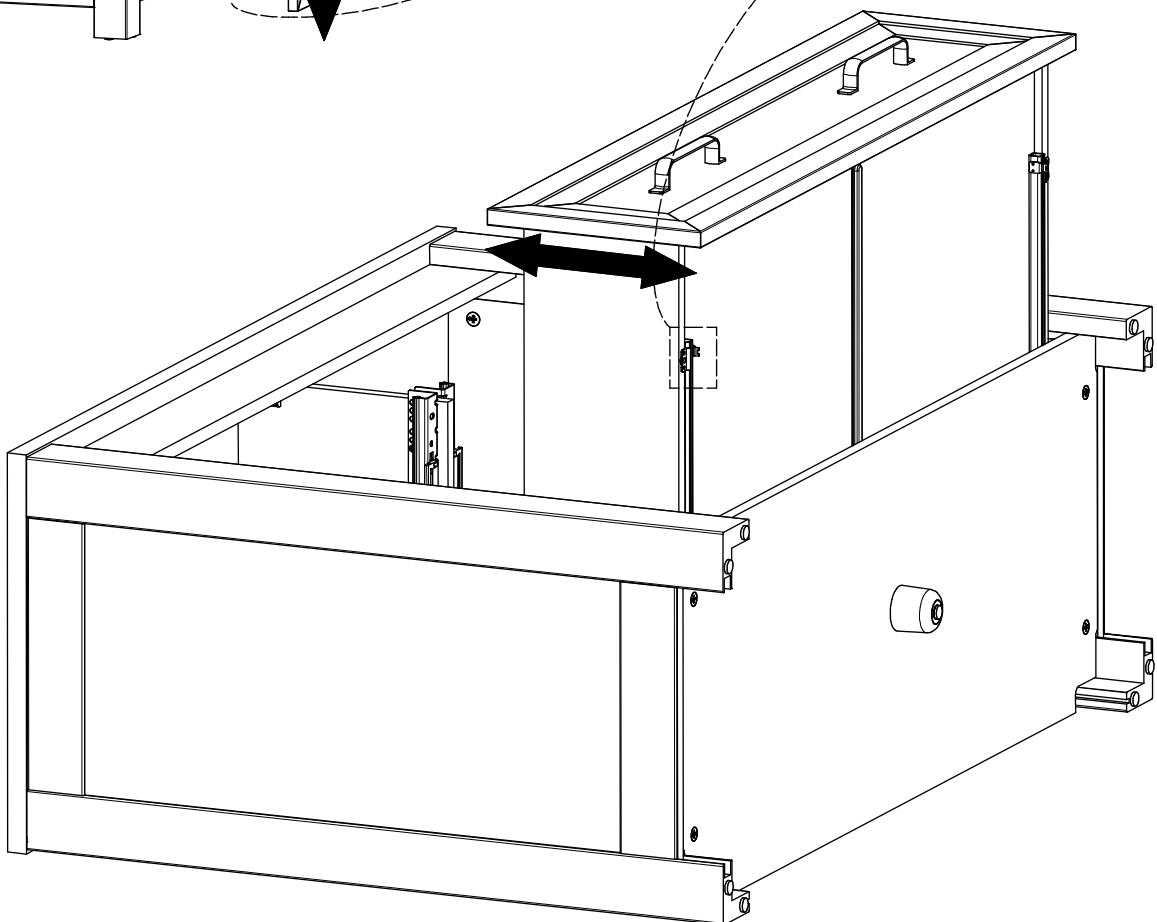
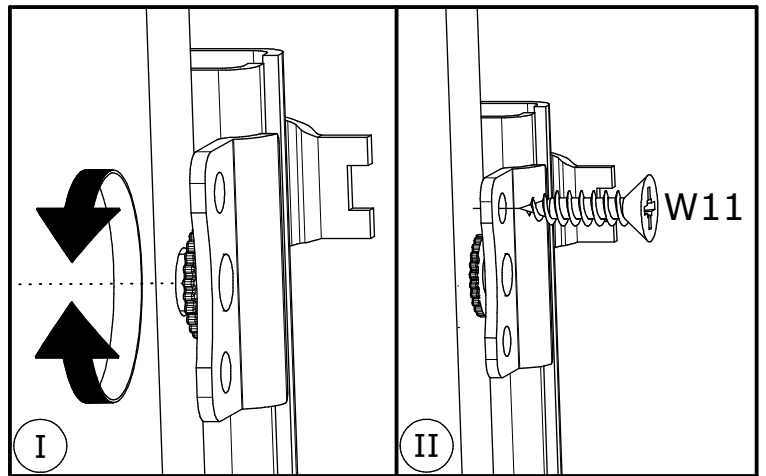
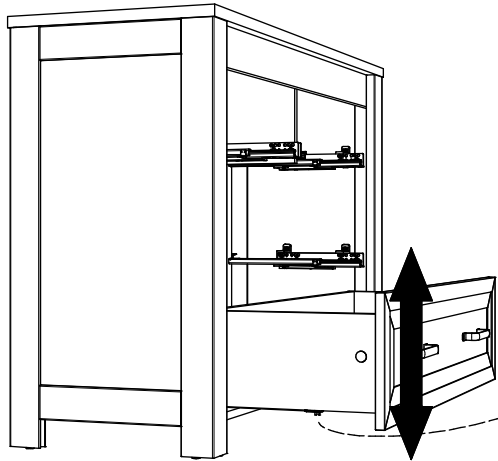
20



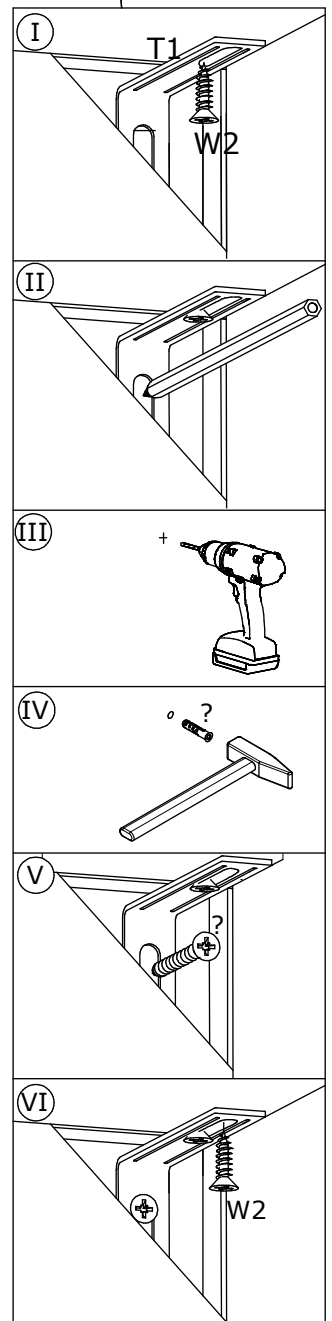
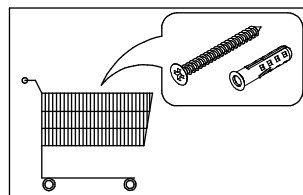
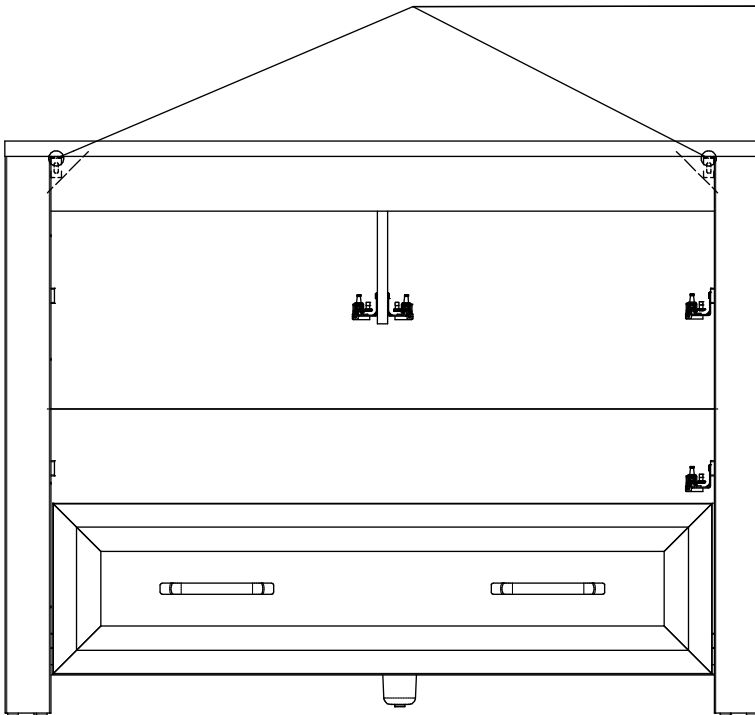
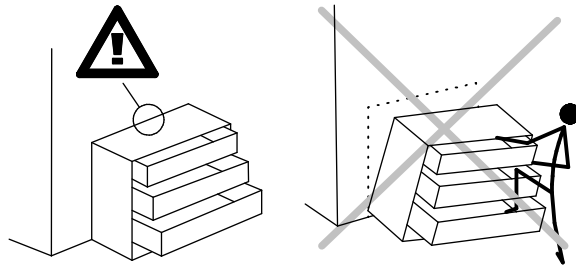
21



22



23



24

