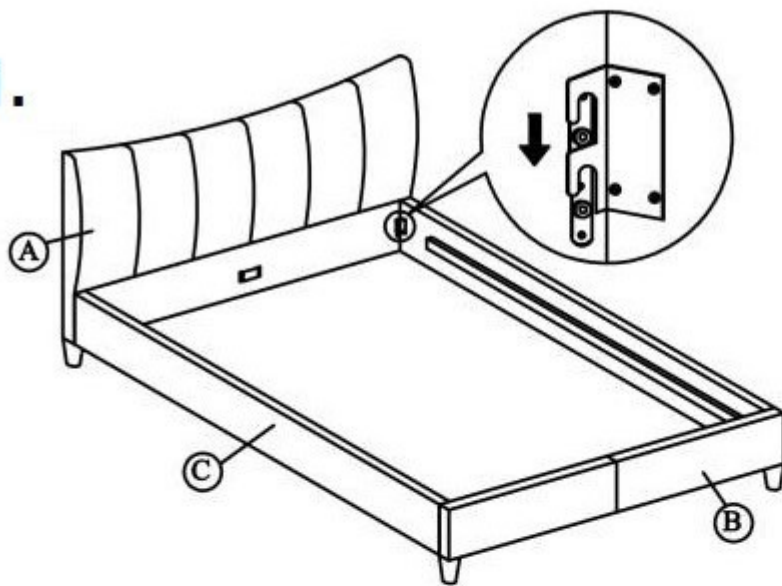
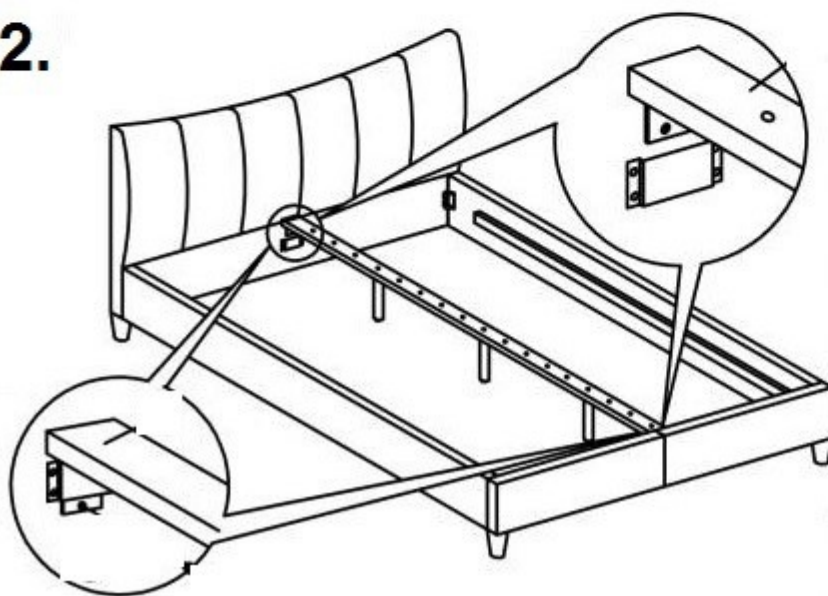


**1.**



-The place for montage should be safe for furniture,  
-First You should check all of screws,  
-You should be care when You cut the pack.

**2.**



-You will never tighten the screws,  
-You can tigh the screw one time from sterted use,  
-If You have any problem, You should contact to seller.