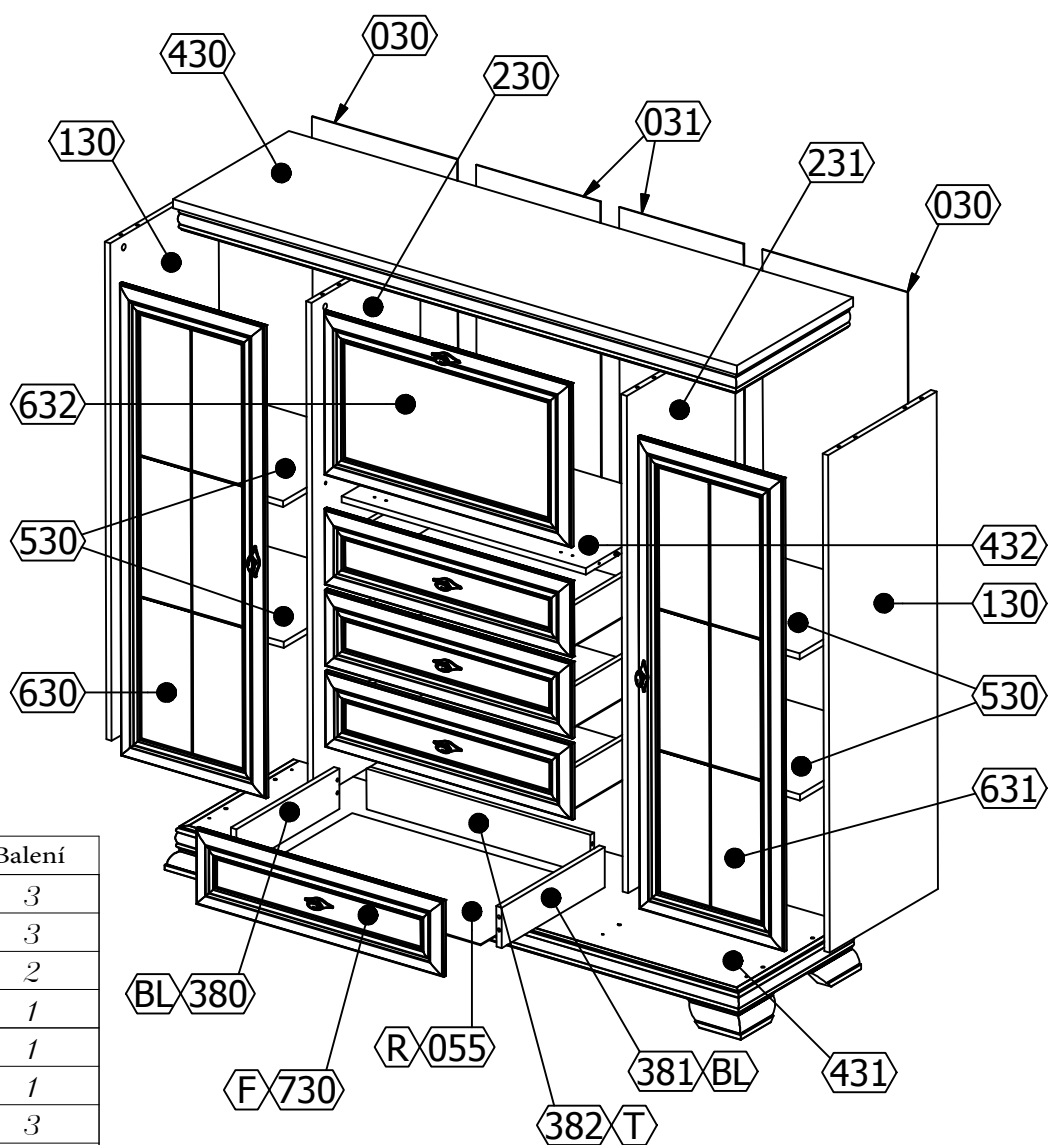


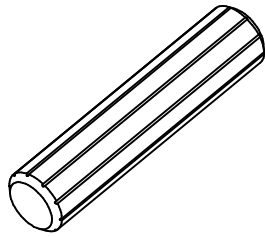


INSTRUKCJA MONTAŻU / MOUNTING INSTRUCTIONS / MONTÁŽNÍ NÁVOD / NÁVOD NA MONTÁŽ / MONTAGEANWEISUNG

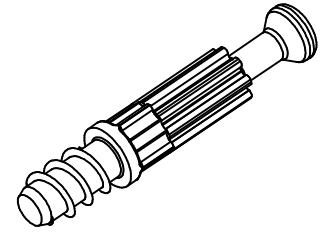


| | Kód | Ks | Balení |
|----|-----|----|--------|
| 1 | 430 | 1 | 3 |
| 2 | 431 | 1 | 3 |
| 3 | 432 | 1 | 2 |
| 4 | 130 | 2 | 1 |
| 5 | 230 | 1 | 1 |
| 6 | 231 | 1 | 1 |
| 7 | 030 | 2 | 3 |
| 8 | 530 | 4 | 1 |
| 9 | 630 | 1 | 4 |
| 10 | 631 | 1 | 4 |
| 11 | 730 | 4 | 2 |
| 12 | 380 | 4 | 1 |
| 13 | 381 | 4 | 1 |
| 14 | 382 | 4 | 1 |
| 15 | 055 | 4 | 3 |
| 16 | 031 | 2 | 3 |
| 17 | 632 | 1 | 2 |

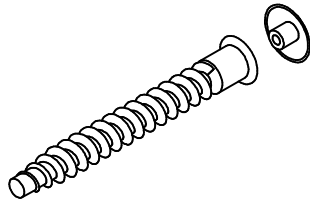
A x52
(8x36)



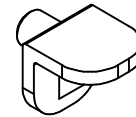
B x16



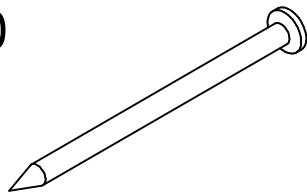
D x4



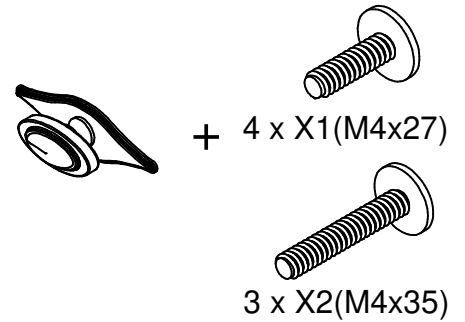
E x16



G x140



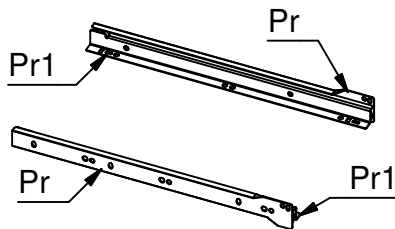
M x7



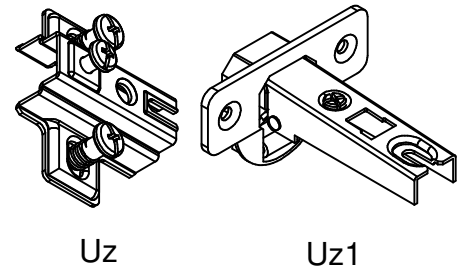
+ 4 x X1(M4x27)

3 x X2(M4x35)

P x4



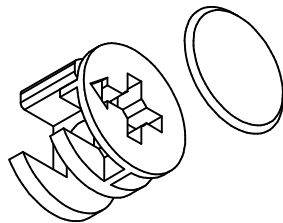
U x6



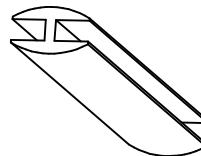
Uz

Uz1

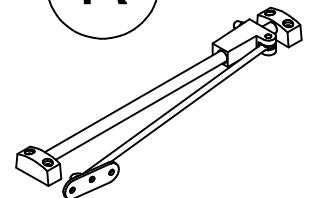
C x16
(Ø15x12)



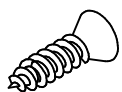
H x1



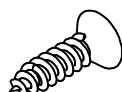
R x1



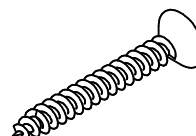
W1 x19
(3,5x13)



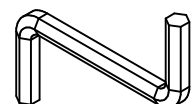
W2 x12
(3,5x16)

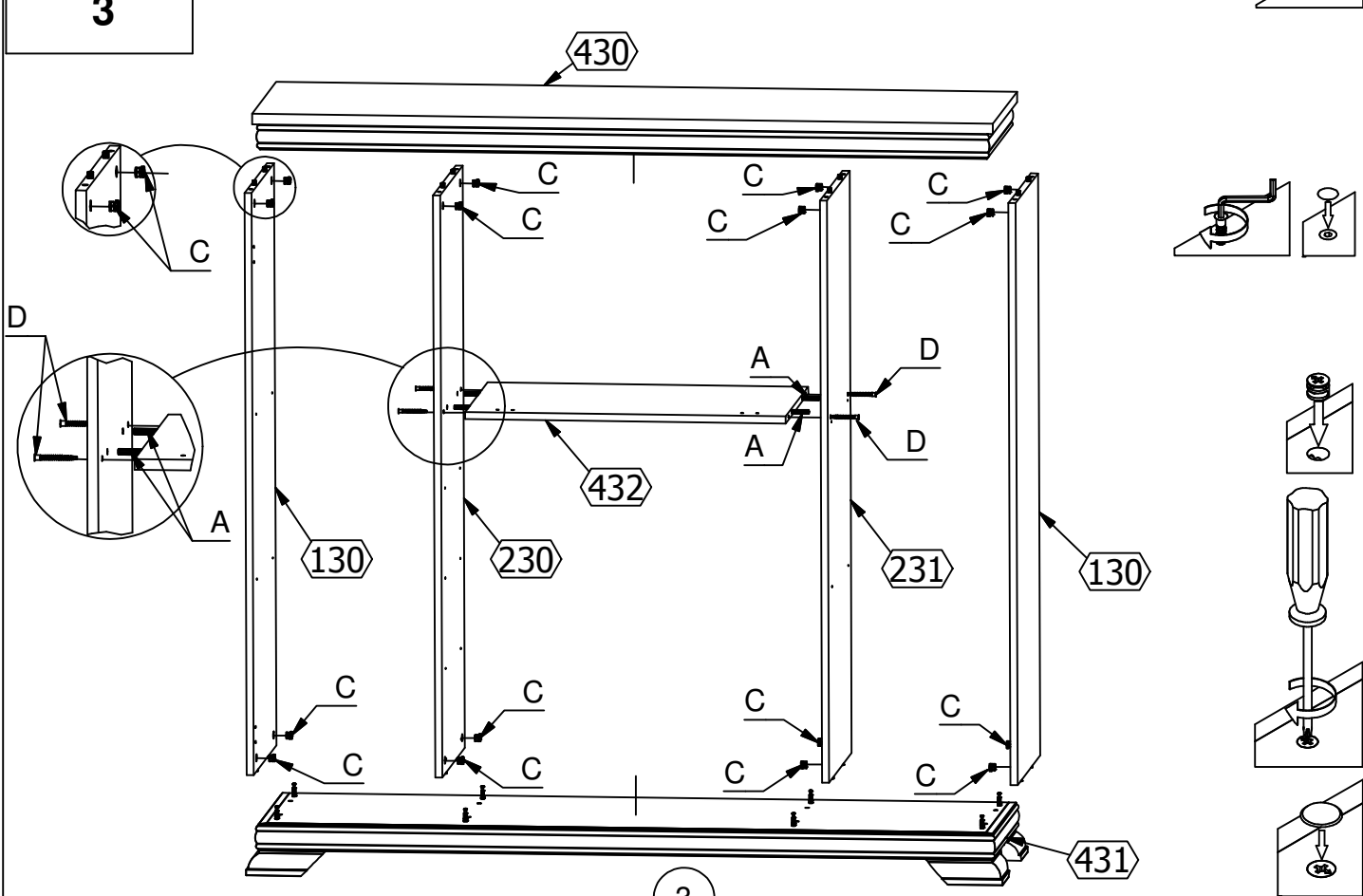
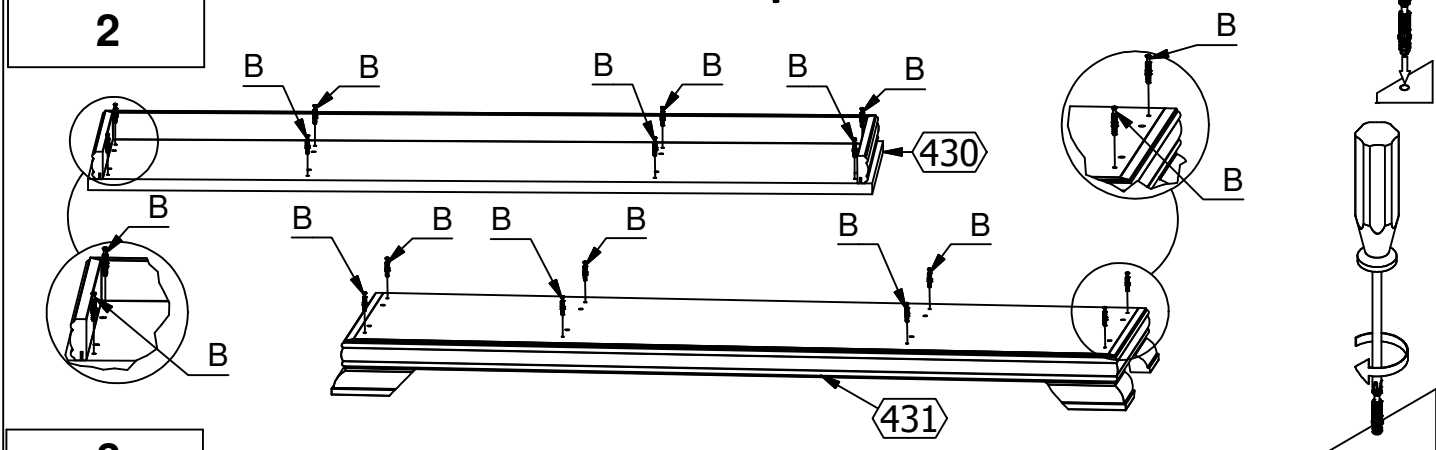
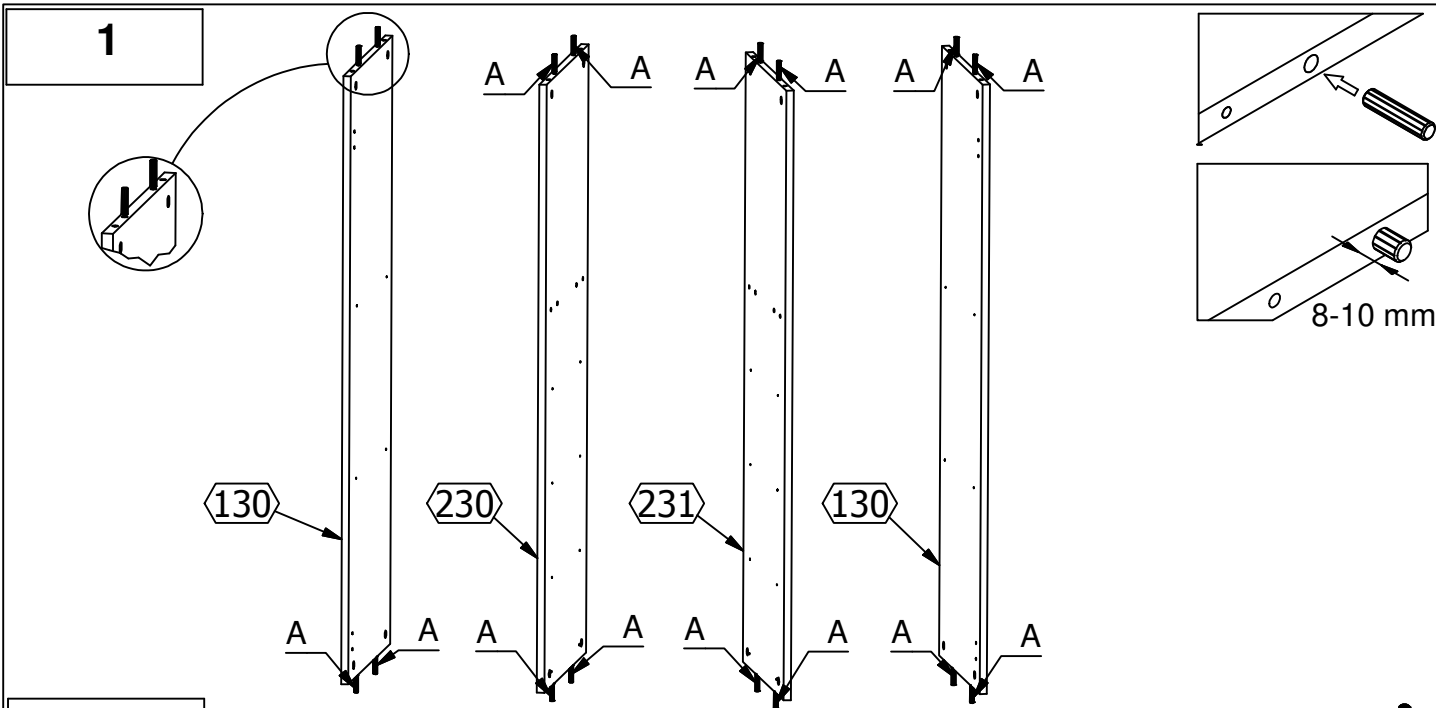


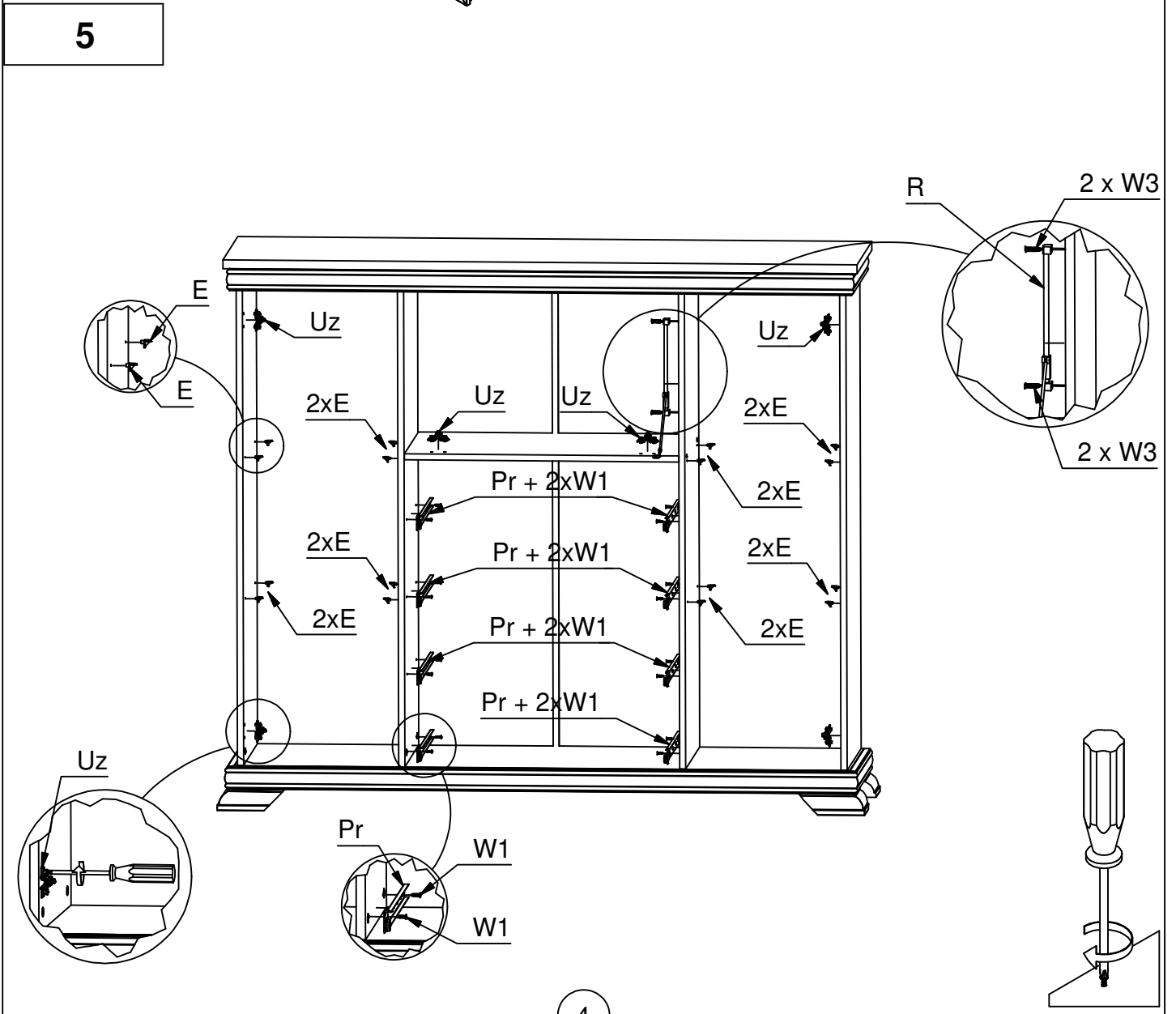
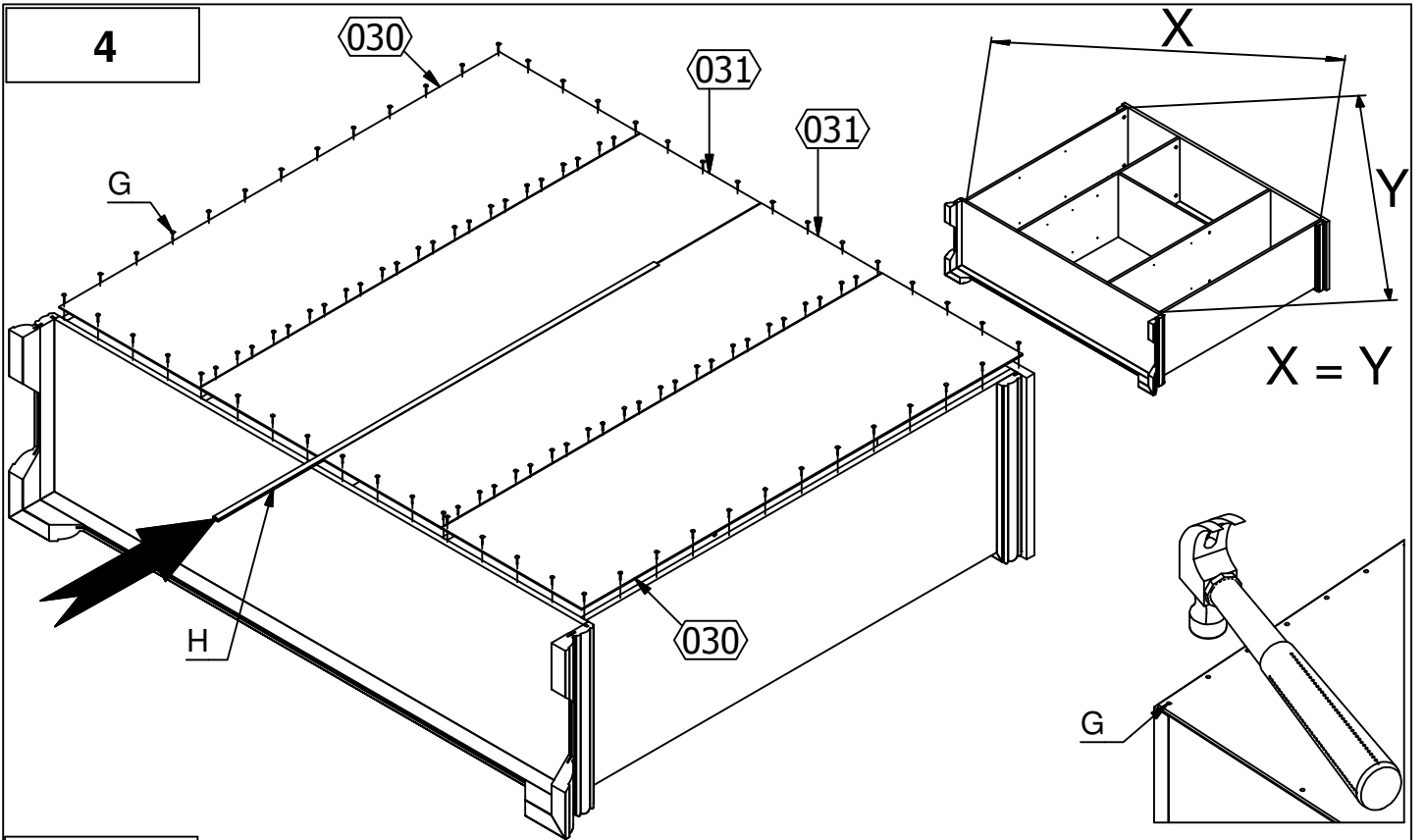
W3 x20
(3x25)



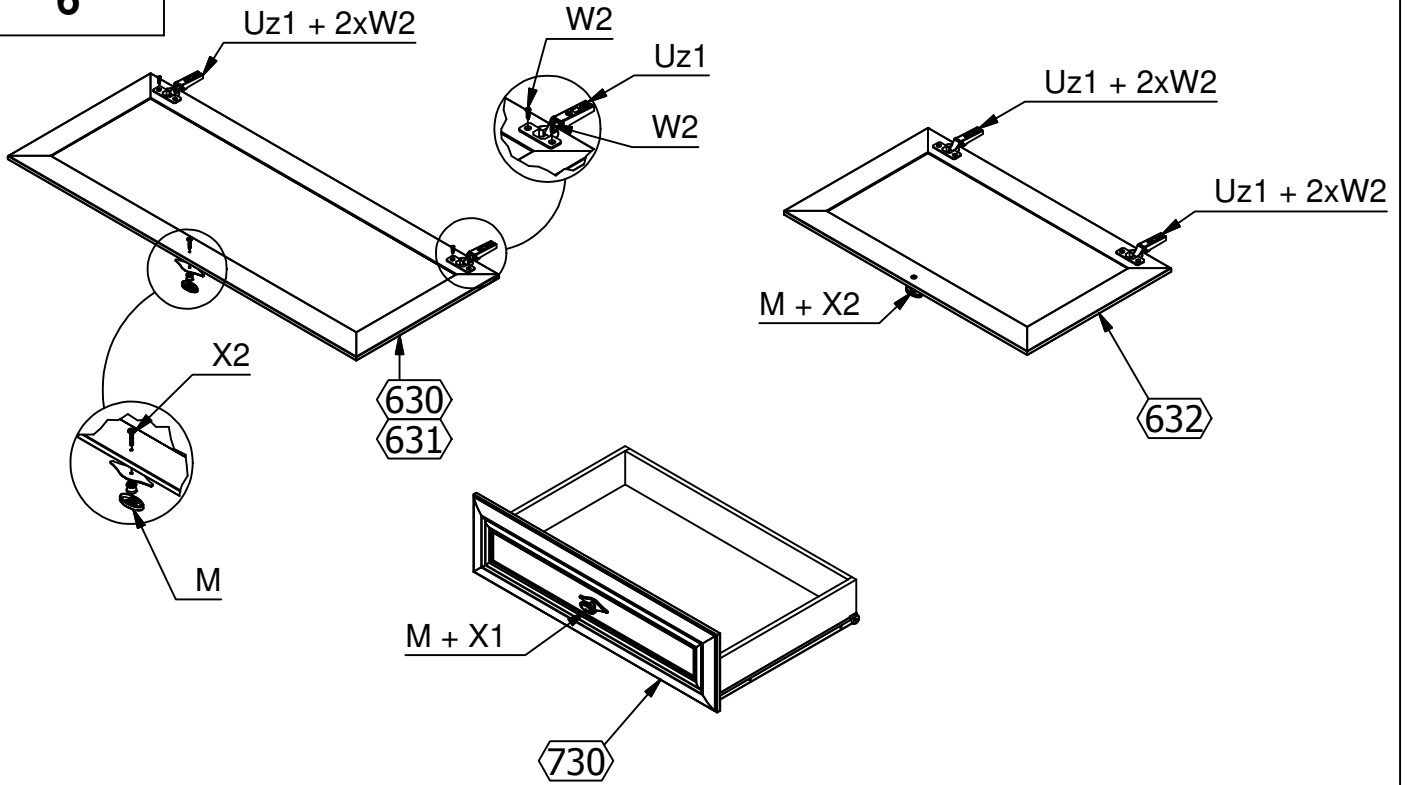
Z x1



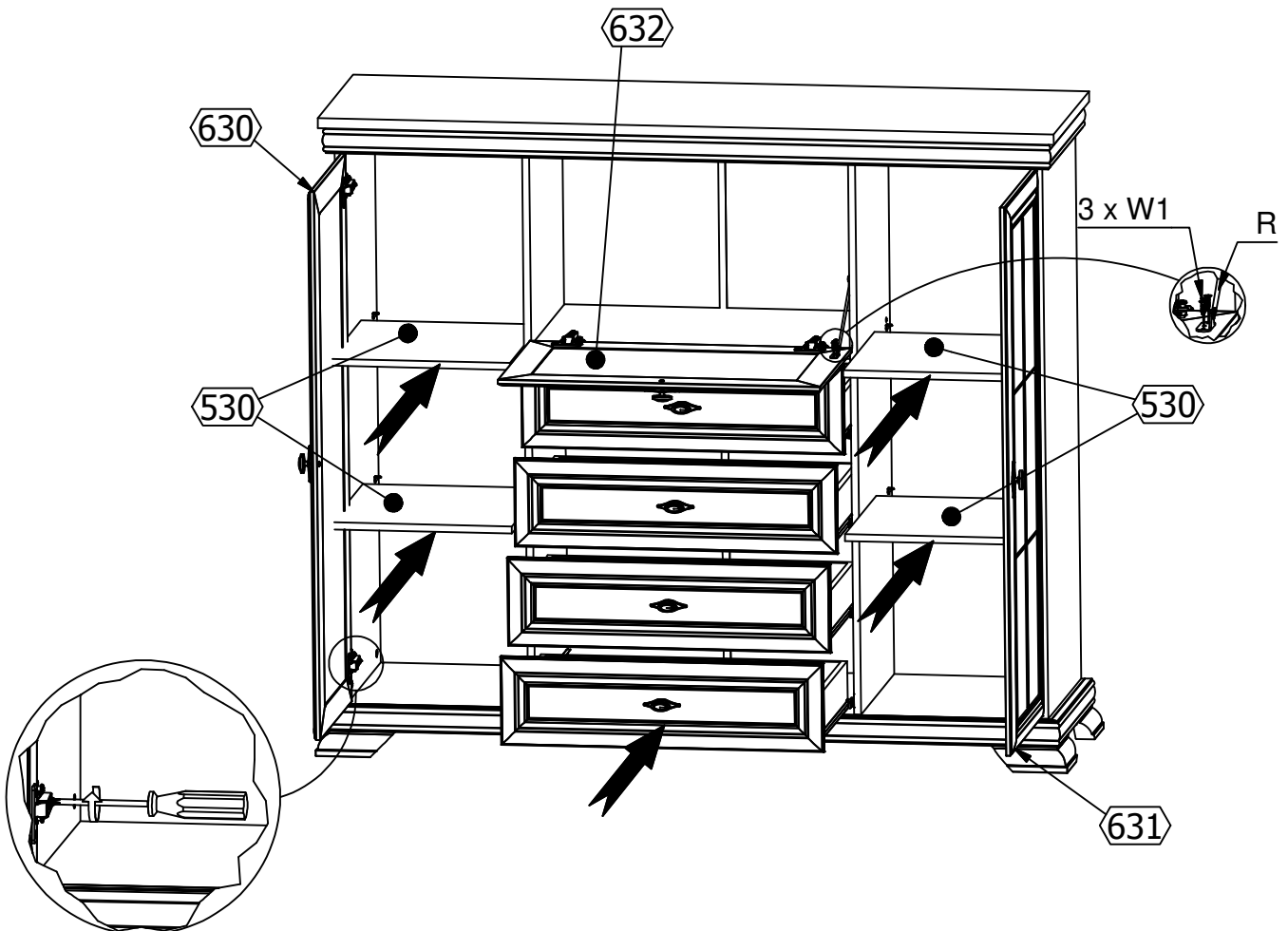




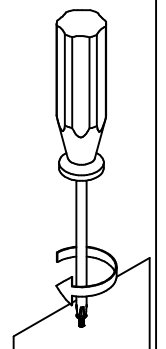
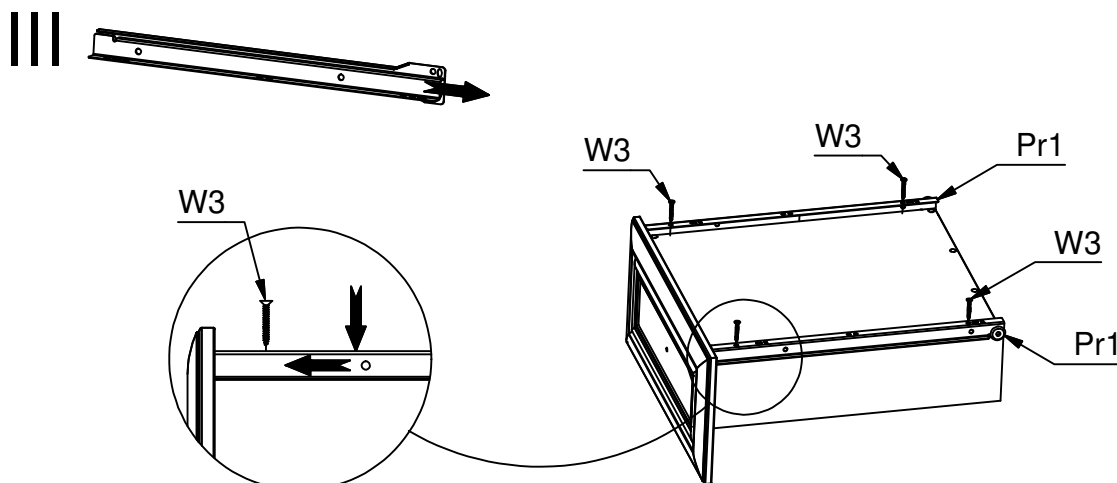
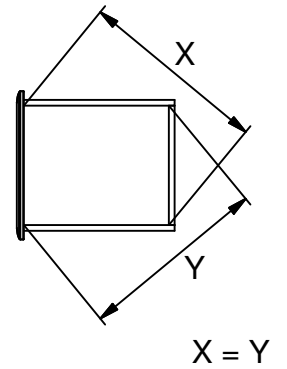
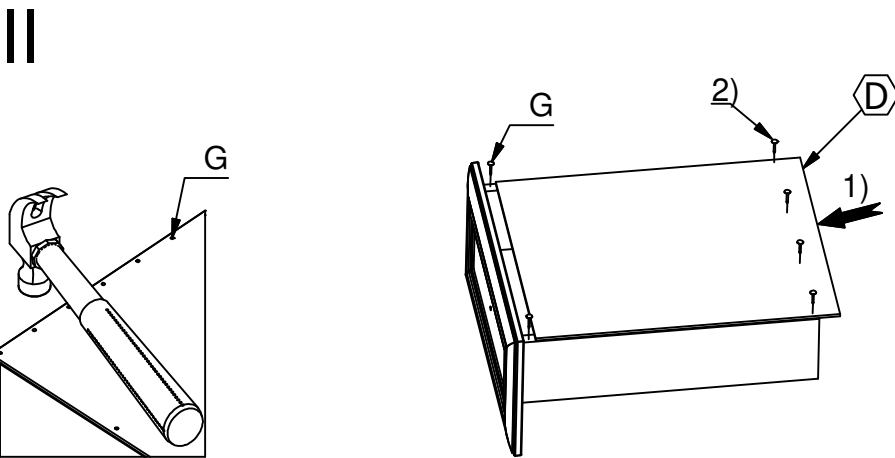
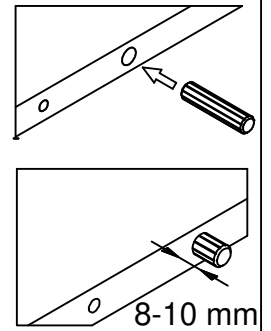
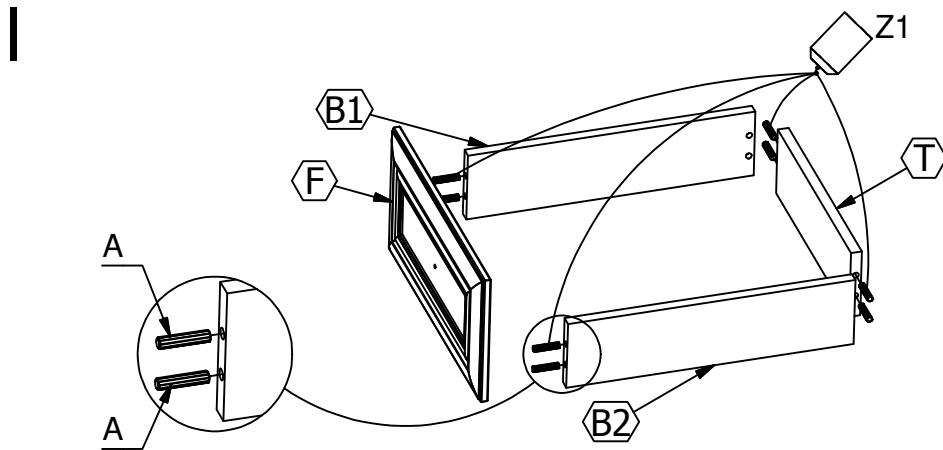
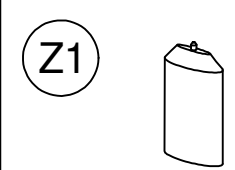
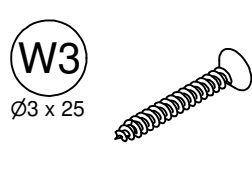
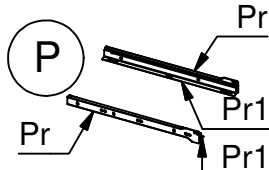
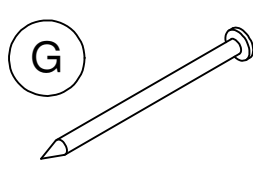
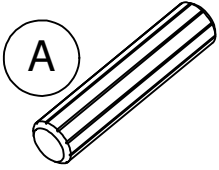
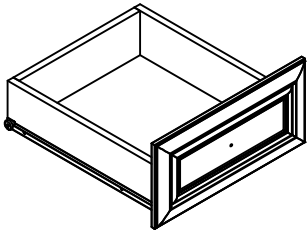
6

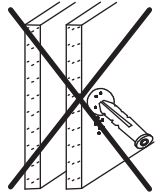
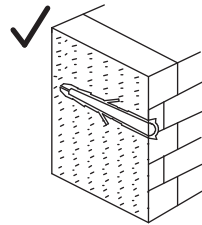
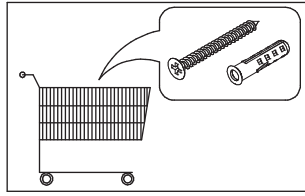
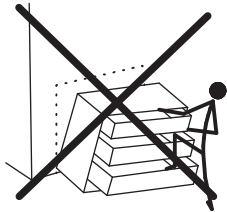
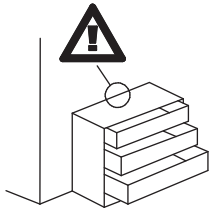


7



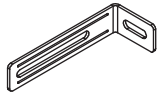
5





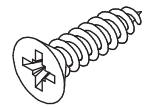
A

T4 x1

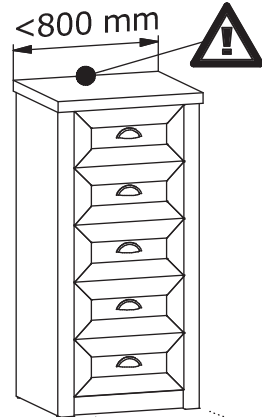


75x28x16 mm

W2 x2

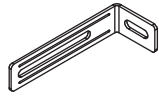


Ø3,5x16mm



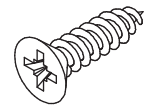
B

T4 x2



75x28x16 mm

W2 x4



Ø3,5x16mm

