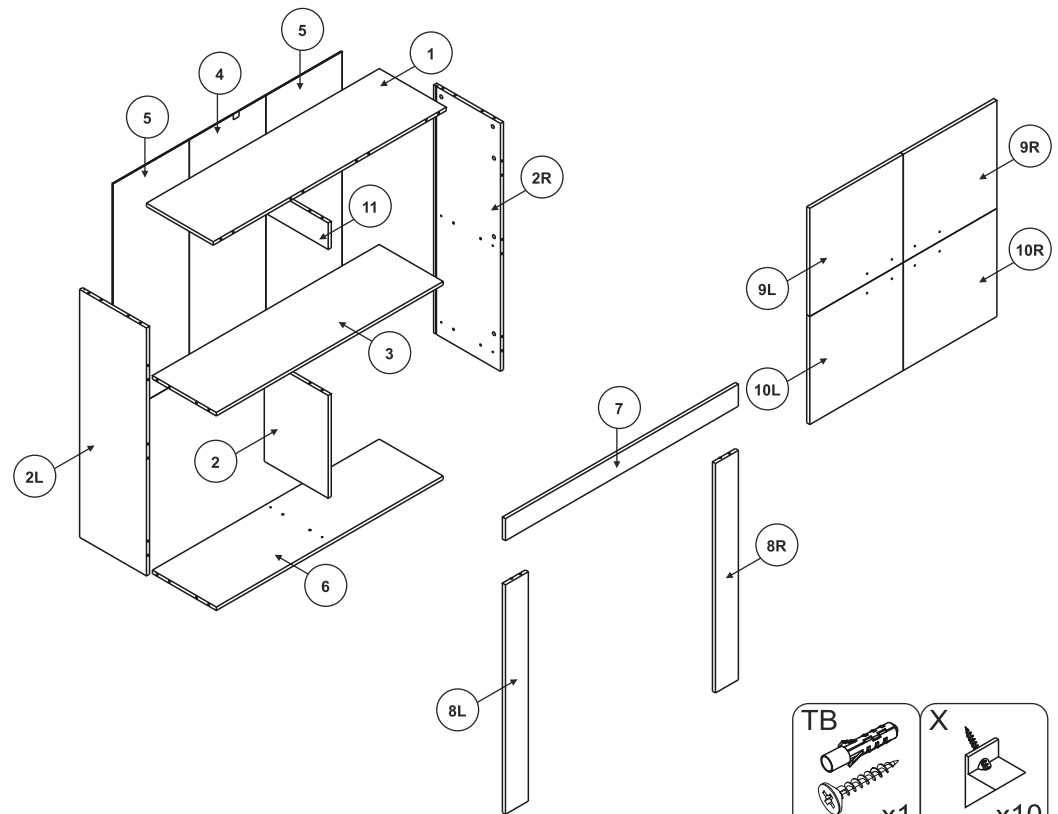
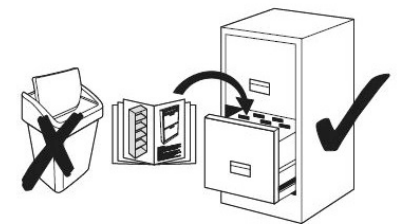
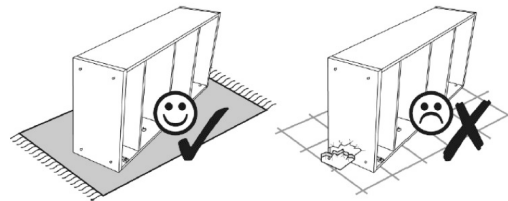
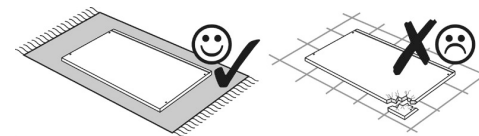


2 - 2,5

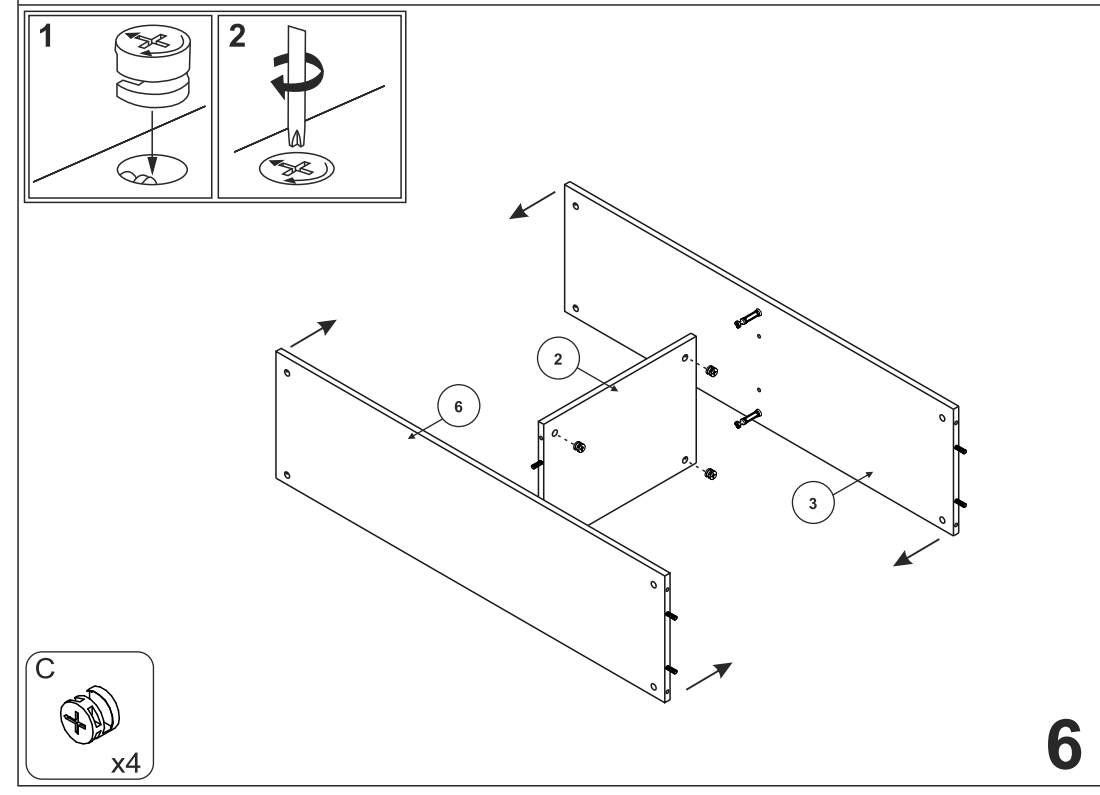
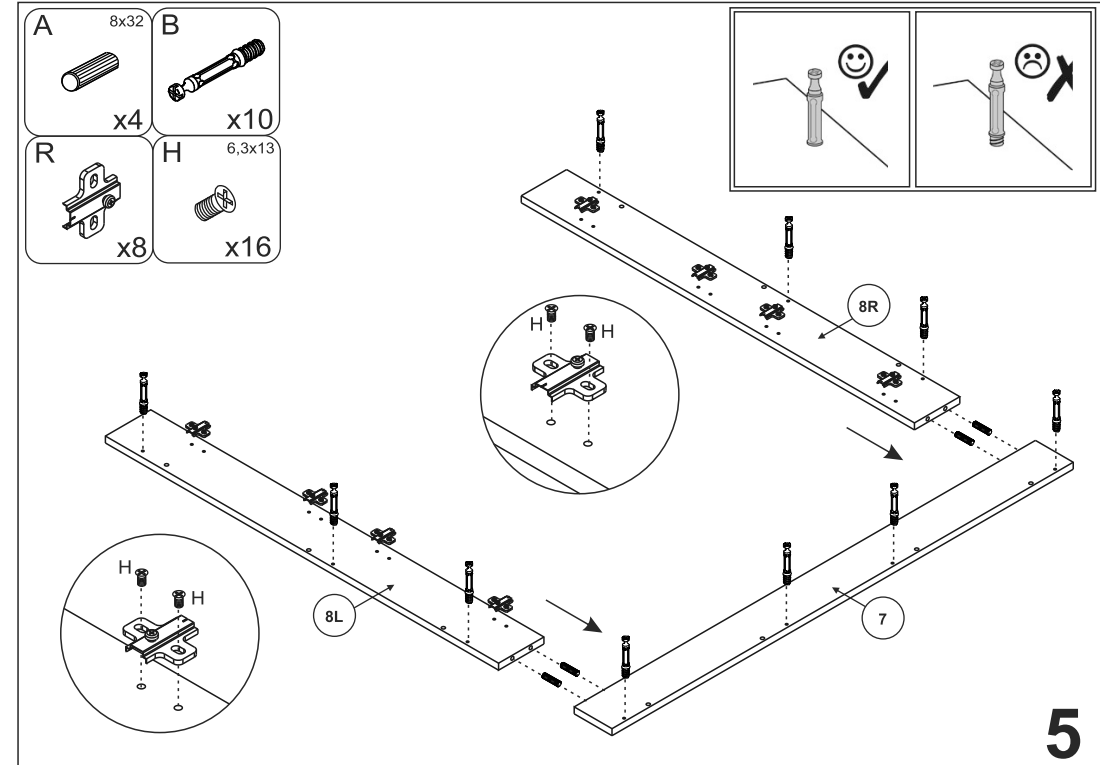
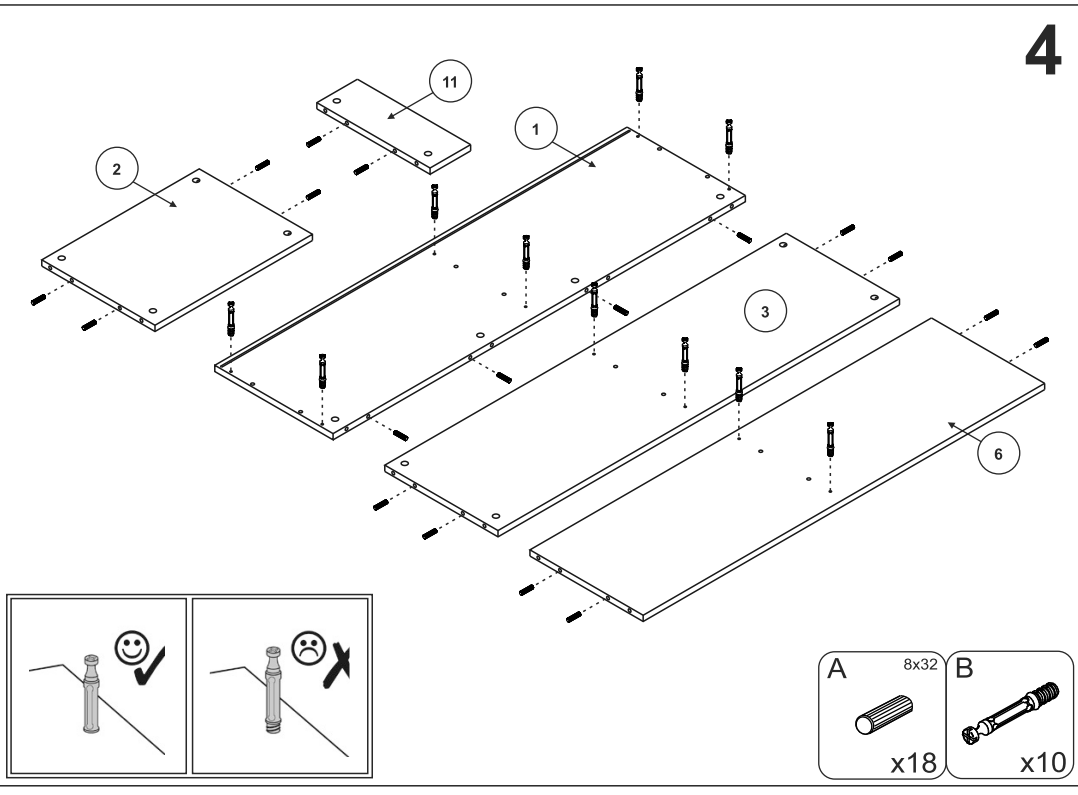
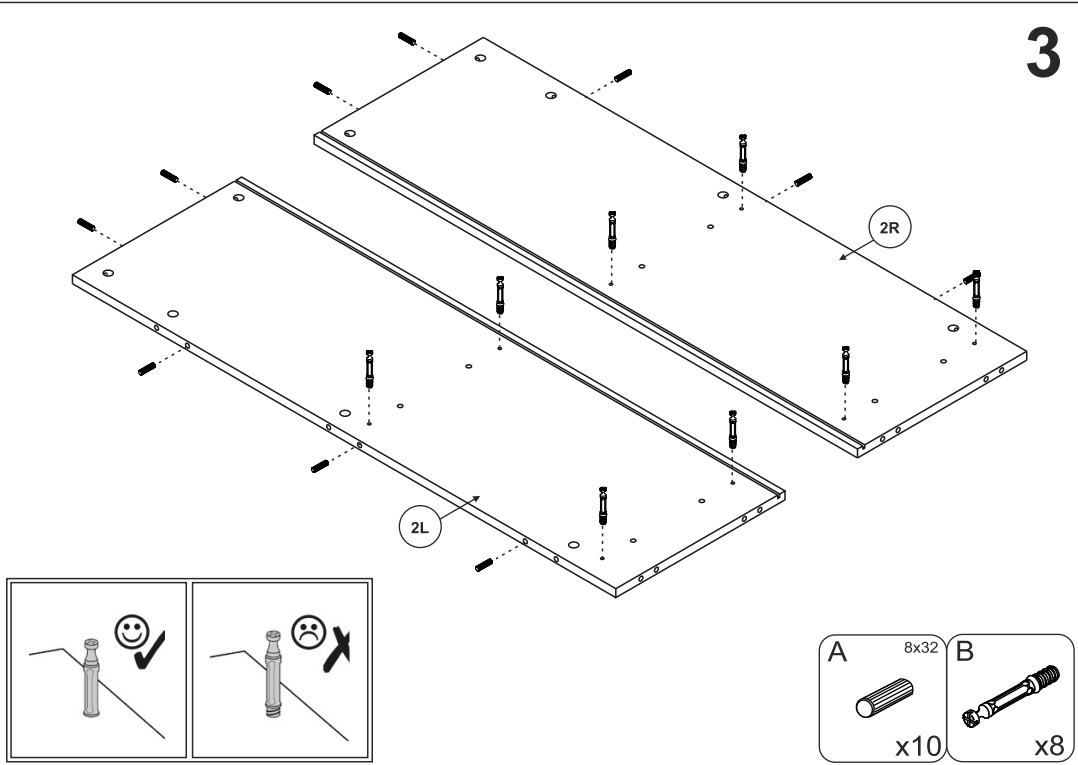
1

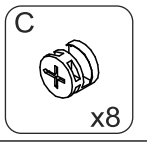
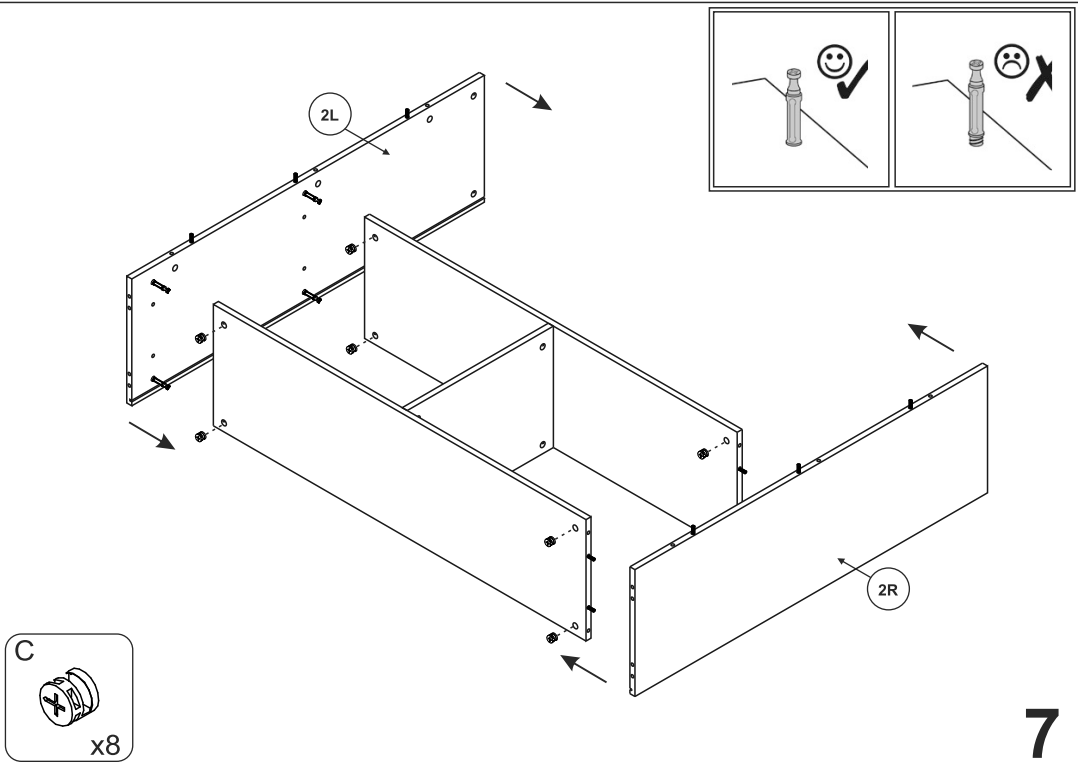
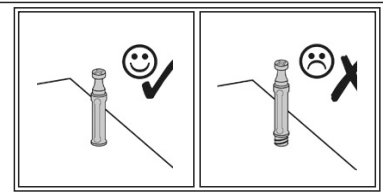
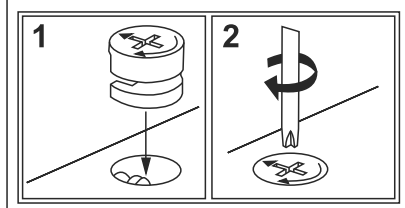
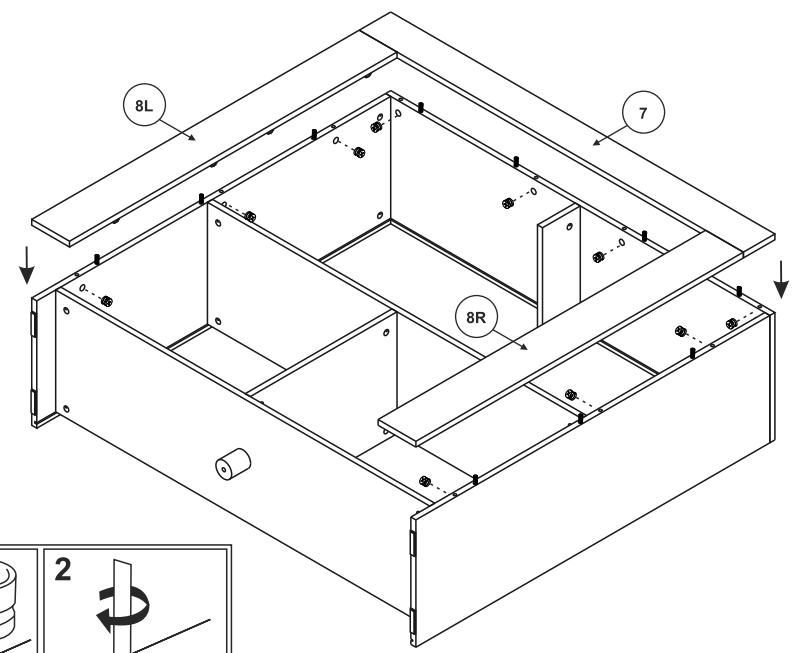
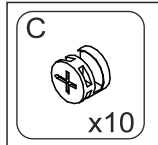


A	8x32	B	x32	C	x28	Z	x28	N	3x20	NA	4x13	H	6,3x13	P	x8	TB	x1	X	x10
S	x2	W	x4	TA	x1	YA	M4x22	O	x4	WA	x1	NB	4x25	R	x8				



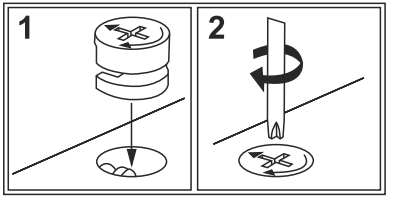
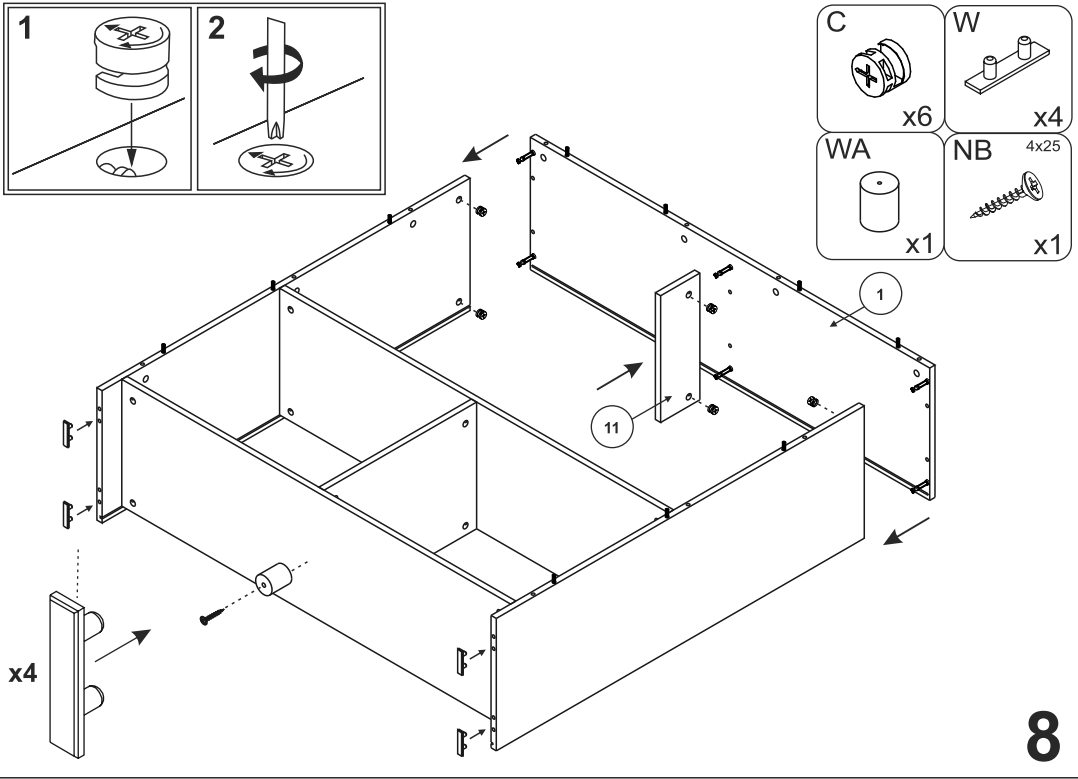
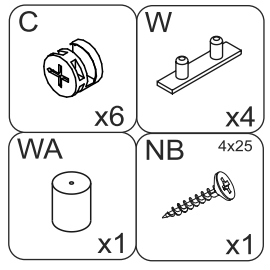
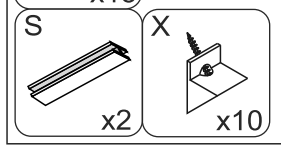
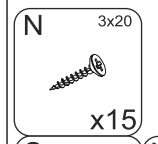
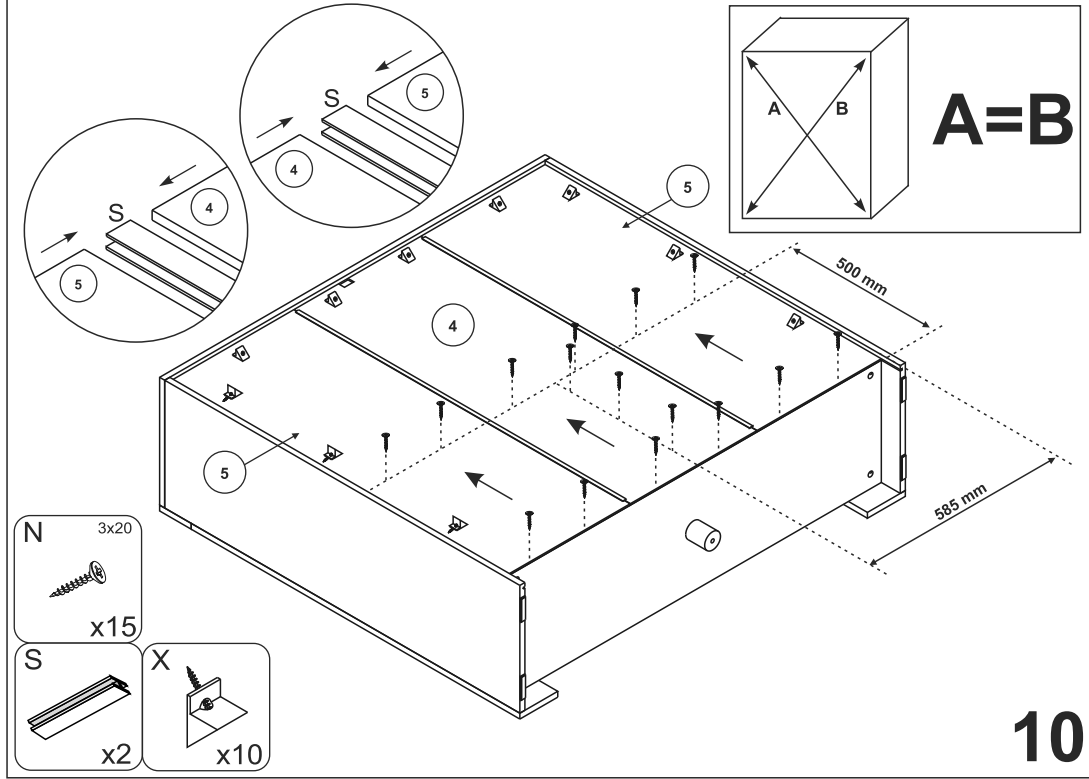
2





7

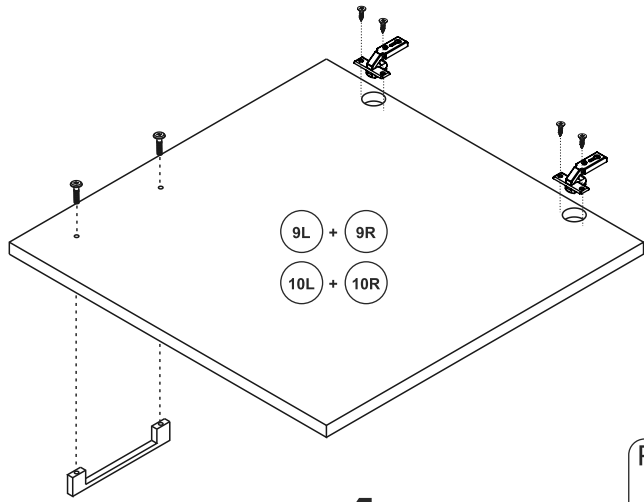
A=B



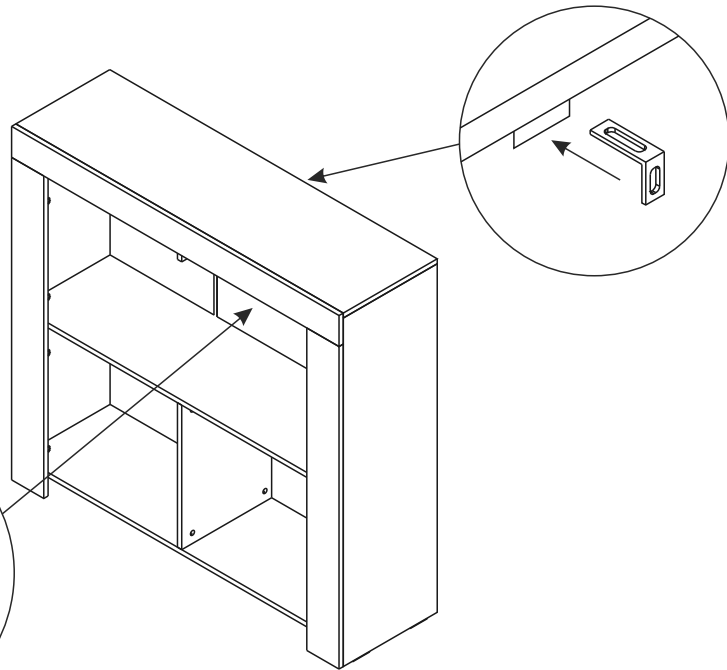
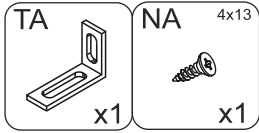
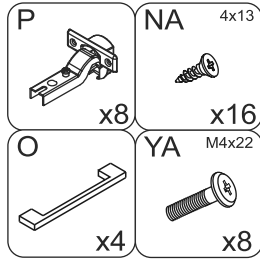
8

10

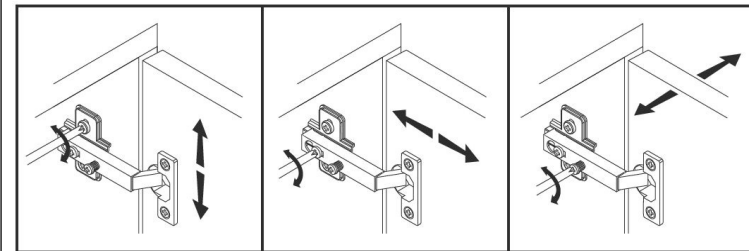
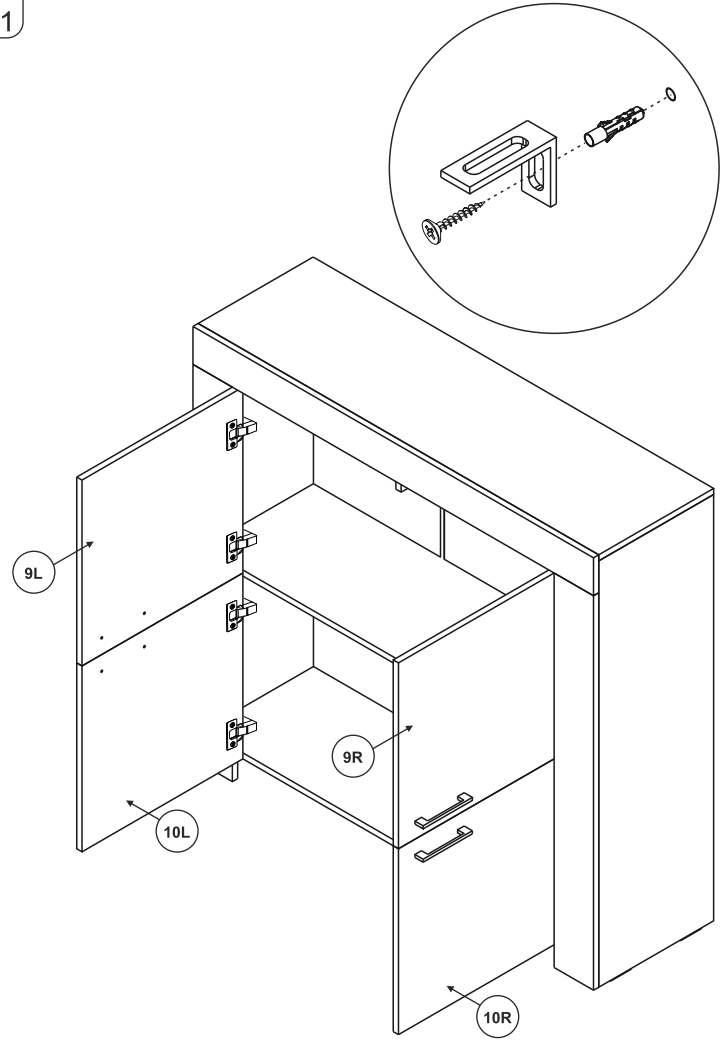
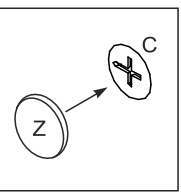
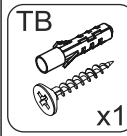
11



x4



12



13