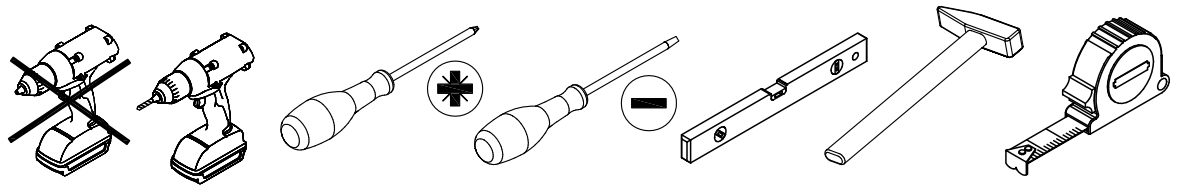
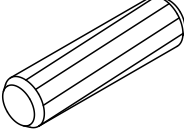
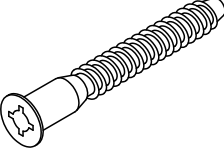

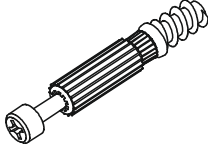
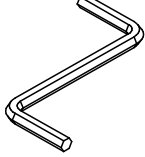

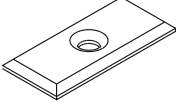
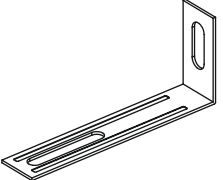
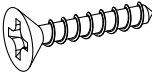
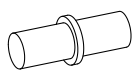
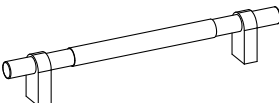

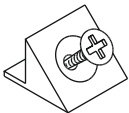
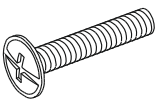
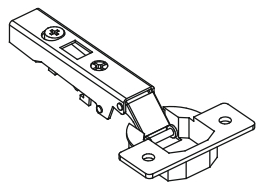
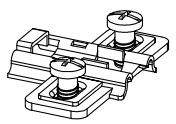
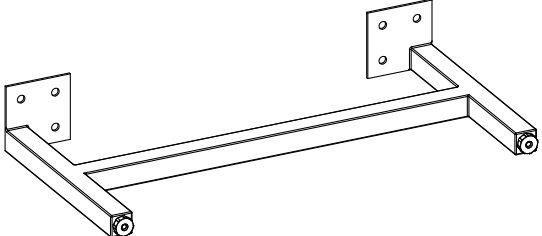

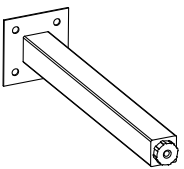

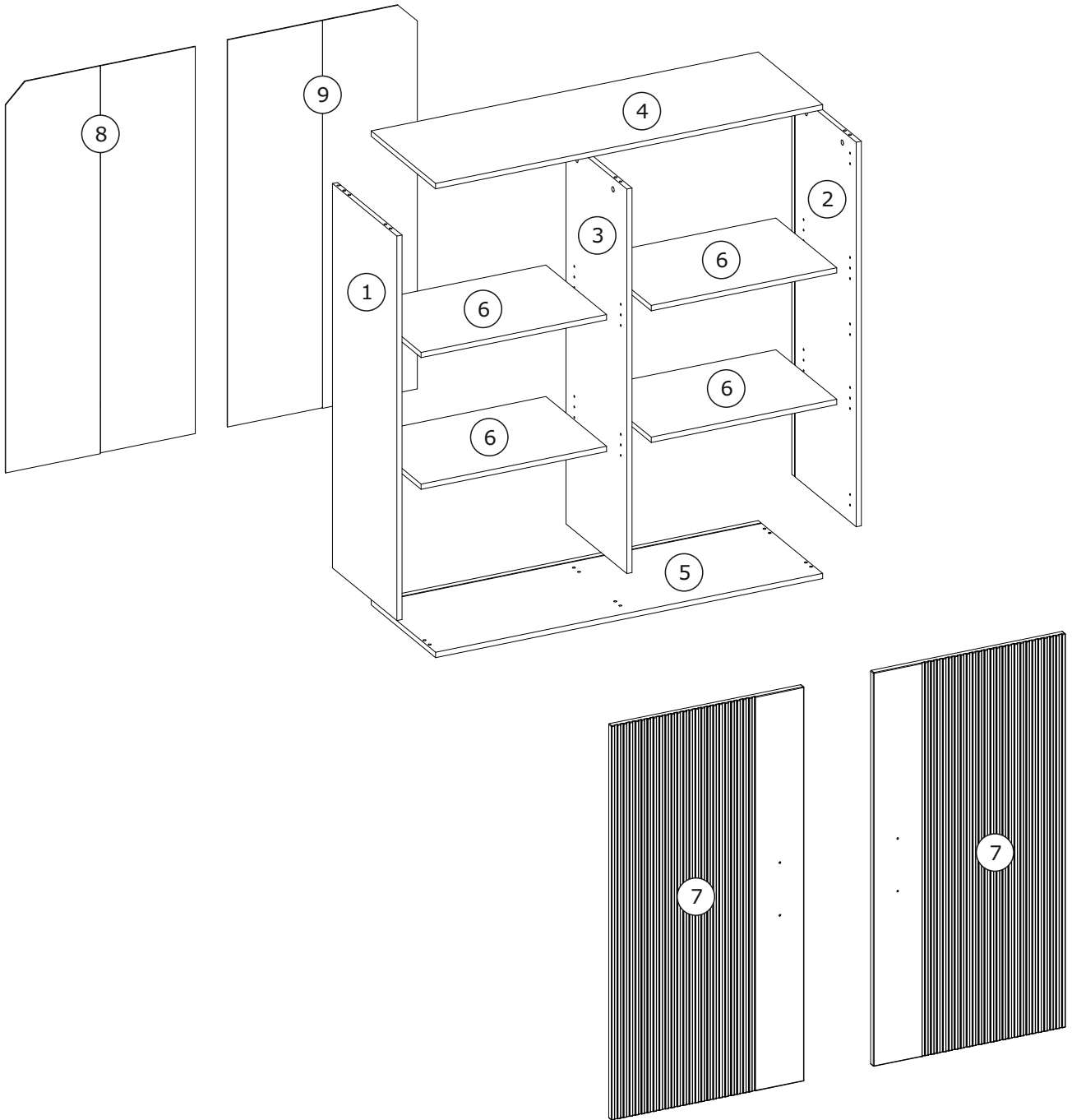




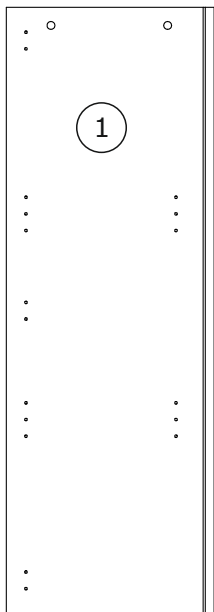
90min



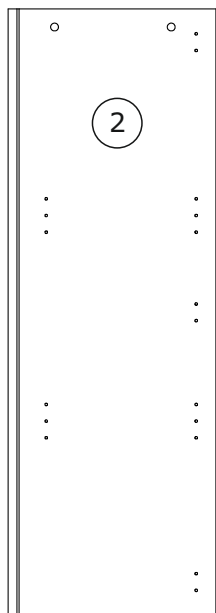
<p>A x 12</p>  <p>Ø8x35 mm</p>	<p>B x 6</p>  <p>Ø7x50 mm</p>	<p>C x 6</p>  <p>Ø15x12 mm</p>	<p>D x 6</p>  <p>Ø5x44 mm</p>
<p>E x 1</p>  <p>4 mm</p>	<p>F x 6</p>  <p>20 mm</p>	<p>H x 8</p>  <p>22x9x2 mm</p>	<p>I x 2</p> 
<p>J x 14</p>  <p>3,5x16 mm</p>	<p>O x 16</p>  <p>Ø5mm</p>	<p>P x 2</p>  <p>160 mm</p>	<p>L1 x 8</p>  <p>Ø3x20 mm</p>
<p>M x 14</p>  <p>10x10 mm</p>	<p>Q3 x 4</p>  <p>4x27 mm</p>	<p>R6 x 6</p> 	<p>S6 x 6</p> 
<p>U2 x 2</p>  		<p>U3 x 1</p>  	



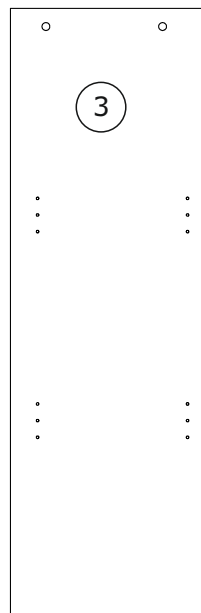
1/1:



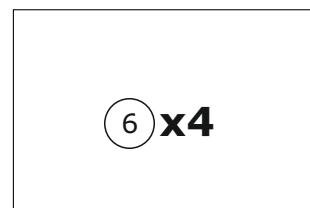
1168x399x16 mm



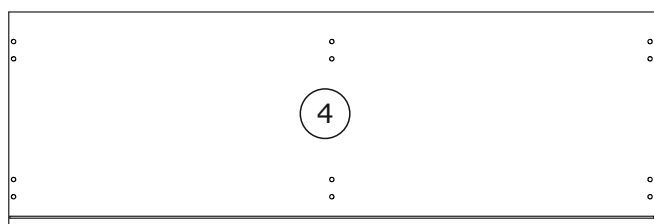
1168x399x16 mm



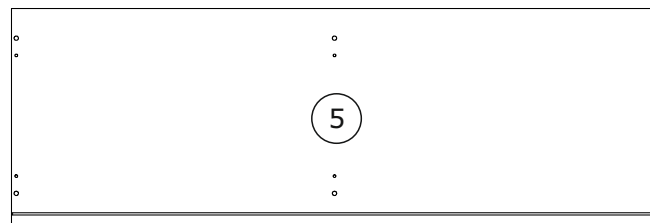
1168x378x16 mm



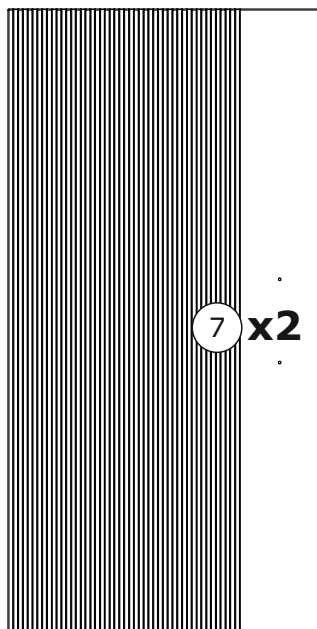
575x377x16 mm



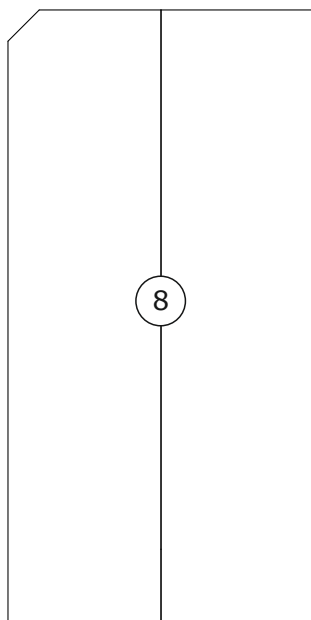
1200x400x16 mm



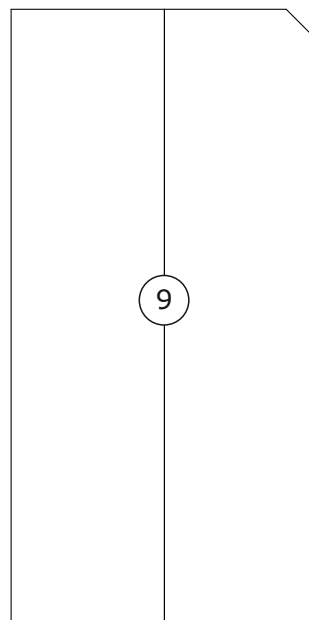
1200x400x16 mm



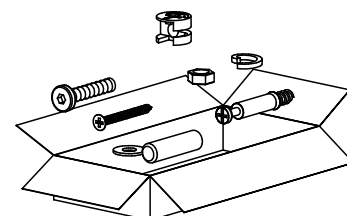
1198x597x16 mm



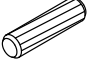
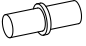
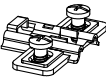
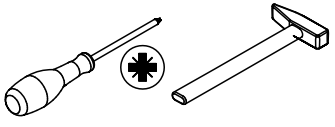
1178x588x3 mm

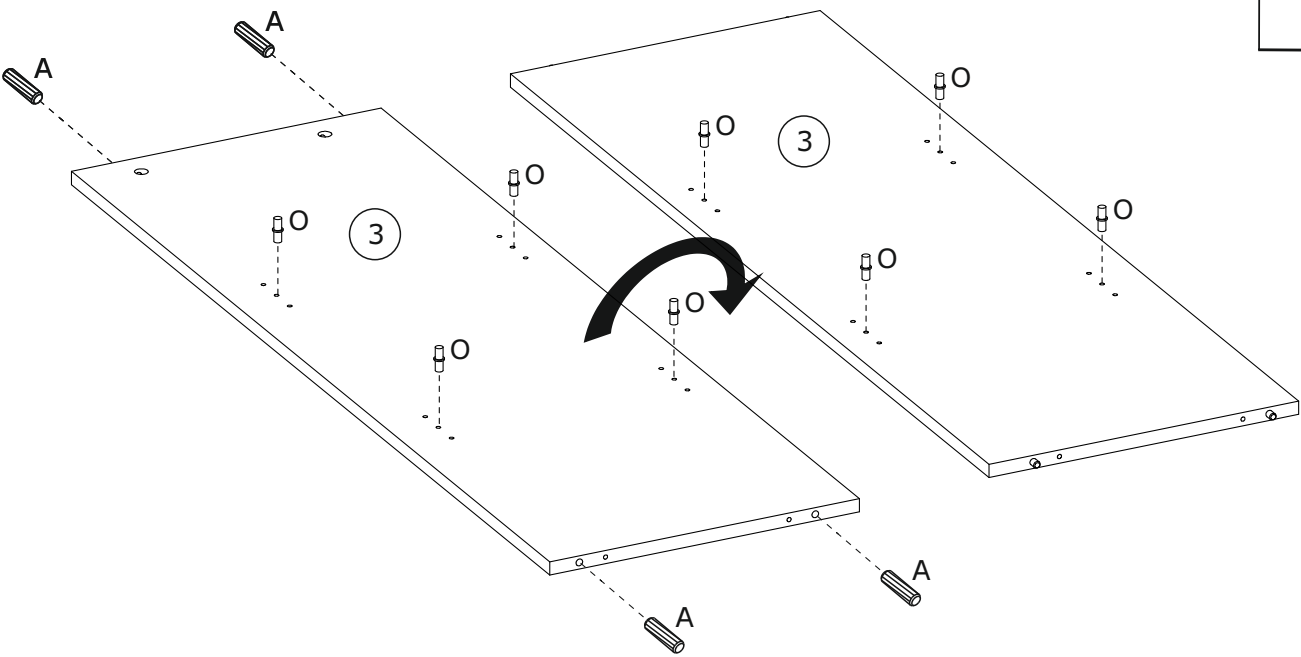
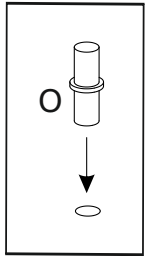
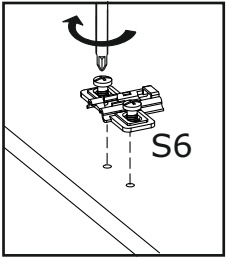
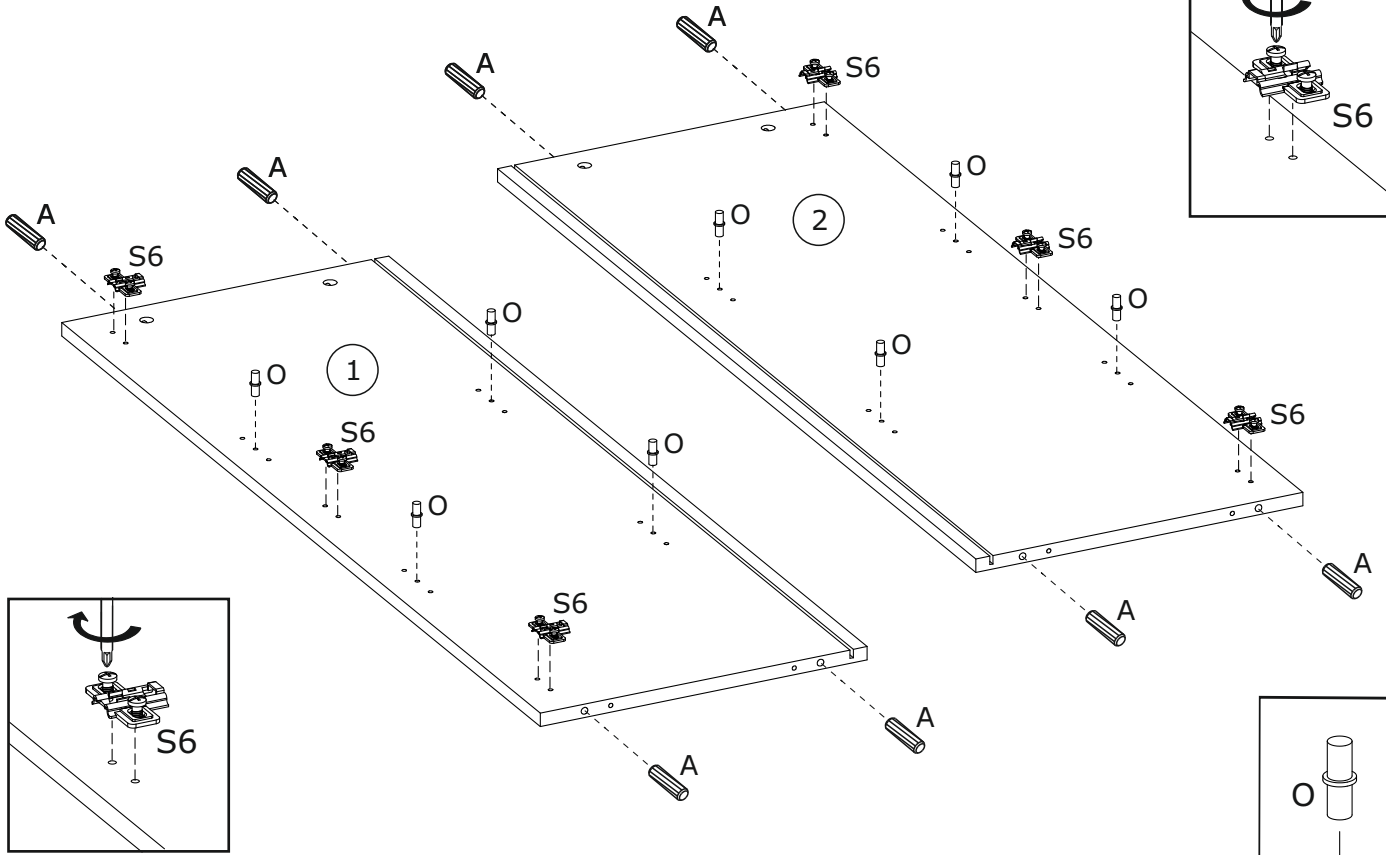
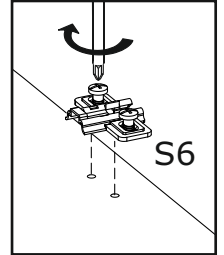
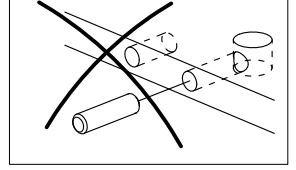
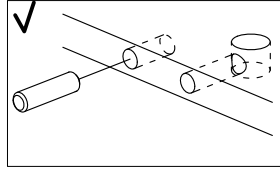
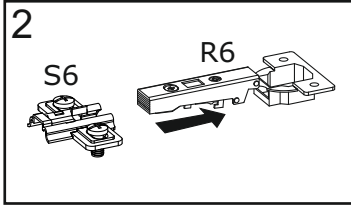
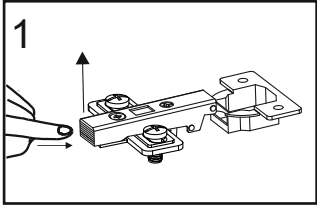


1178x588x3 mm



1

A x 12  Ø8x35 mm	O x 16  Ø5 mm	S6 x 6 	
---	--	---	---

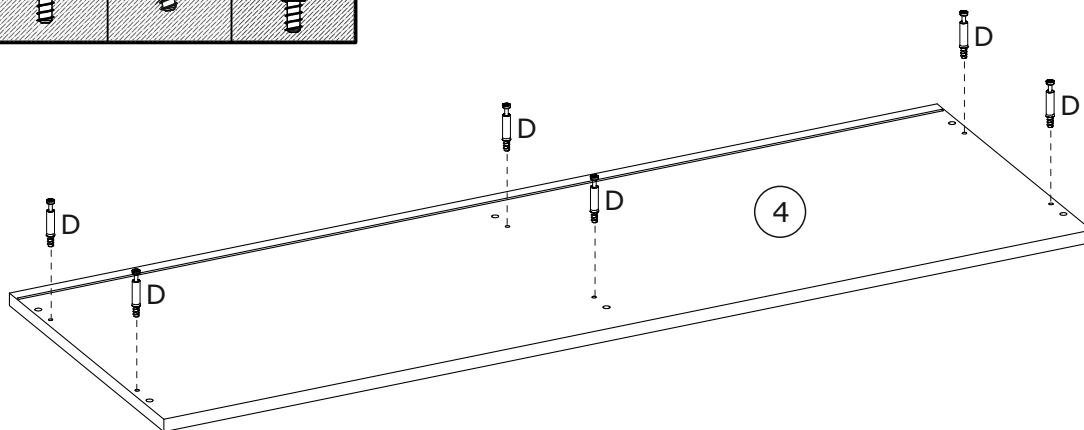
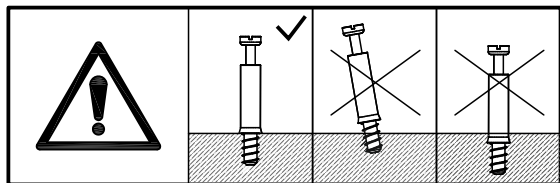


2

D x 6



Ø5x44 mm

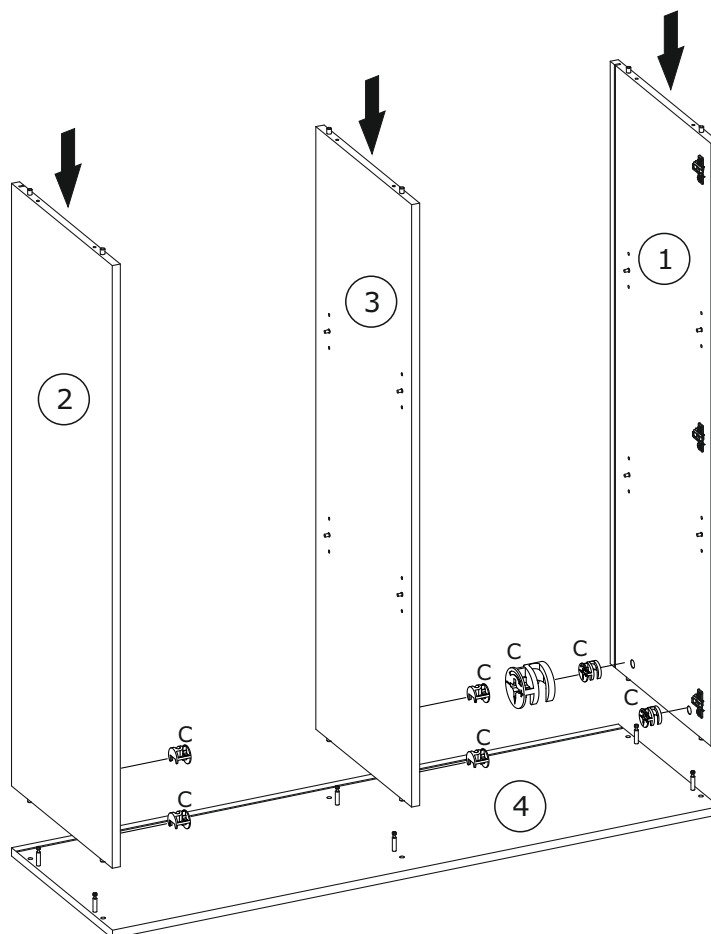
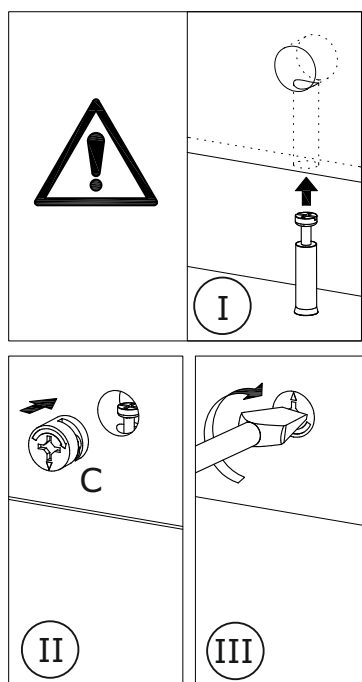


3

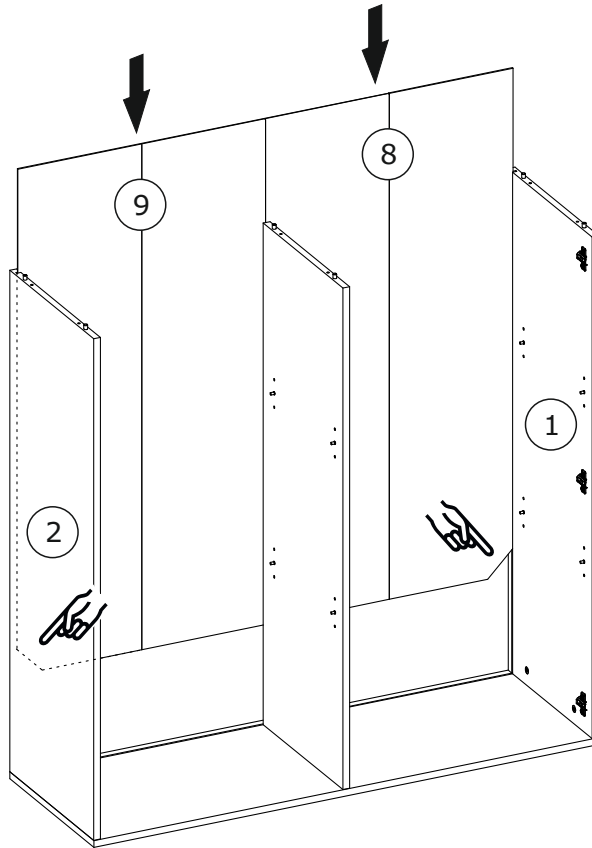
C x 6




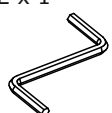
Ø15x12 mm

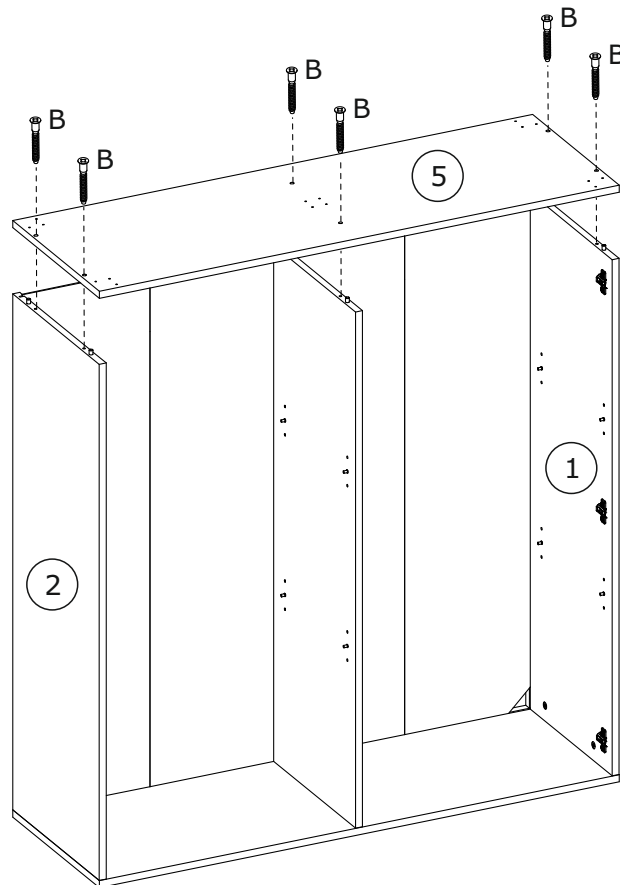
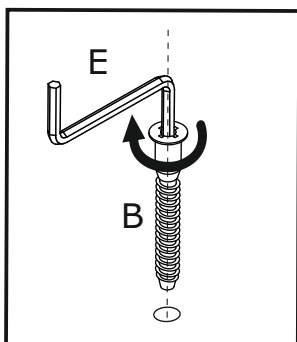
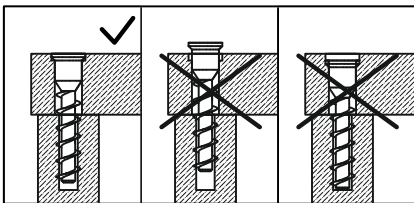


4

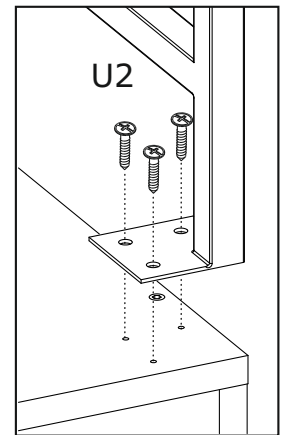
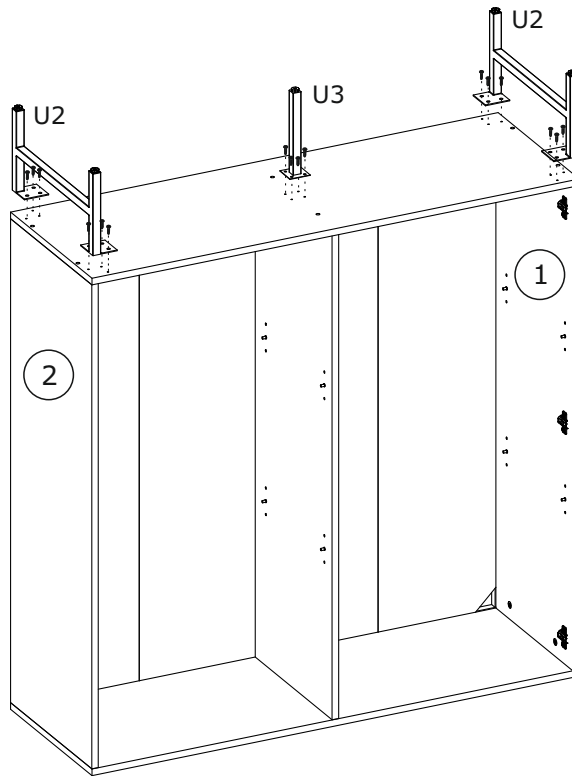
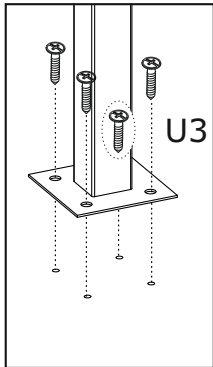
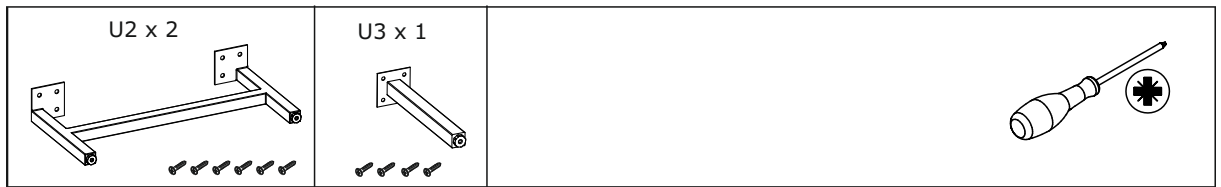


5

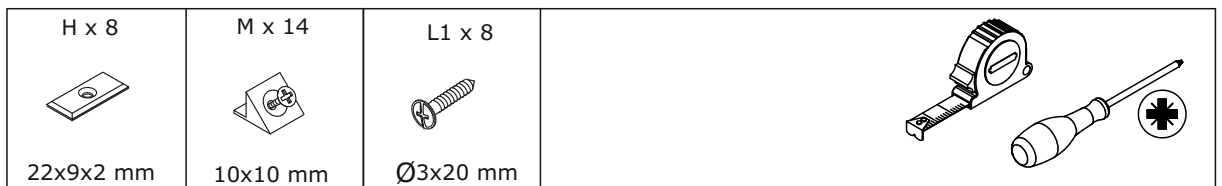
<p>B x 6</p>  <p>Ø7x50 mm</p>	<p>E x 1</p>  <p>4 mm</p>	
--	--	--



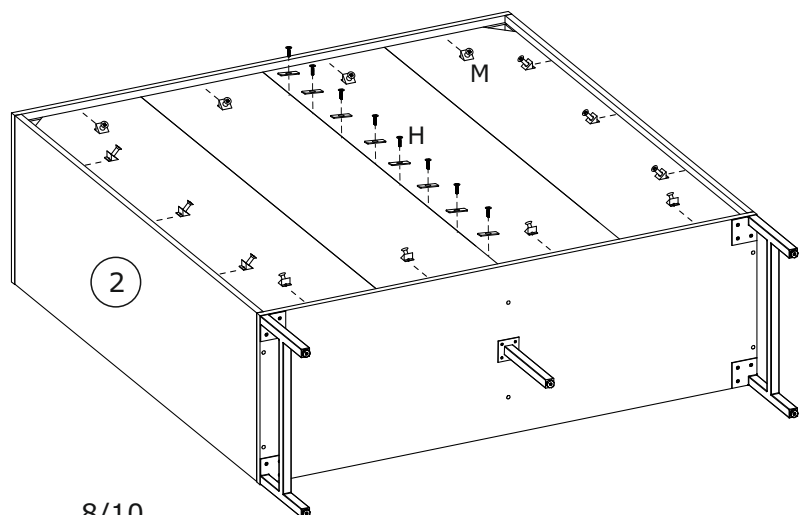
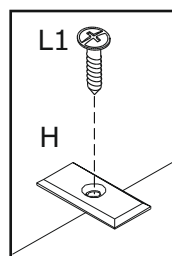
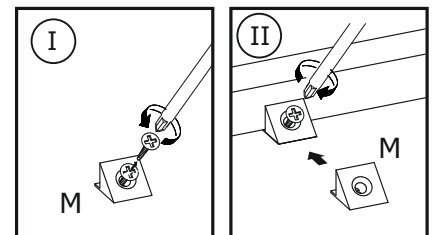
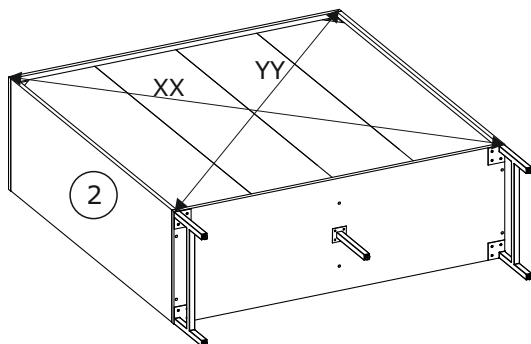
6



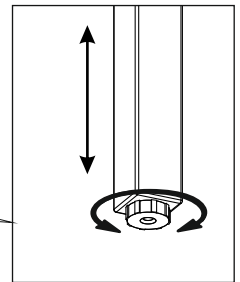
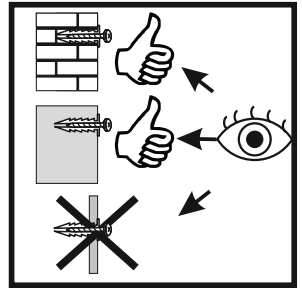
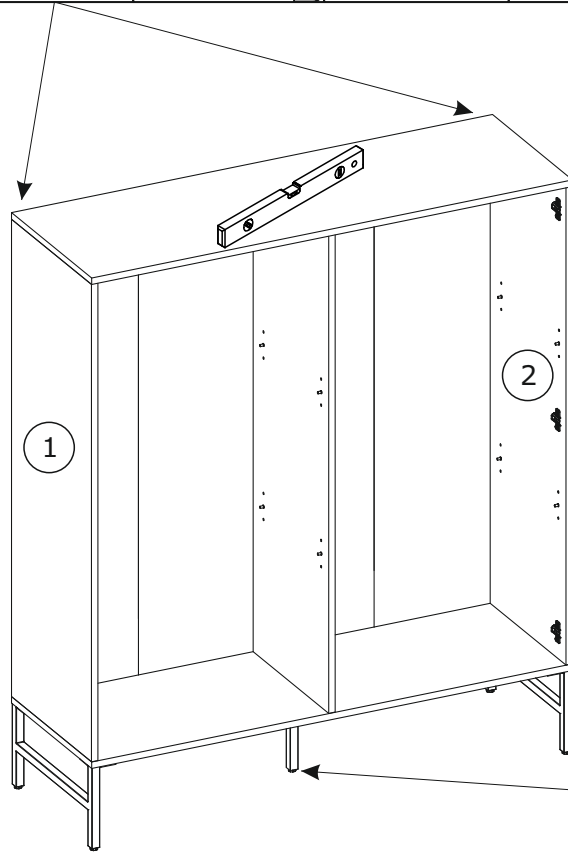
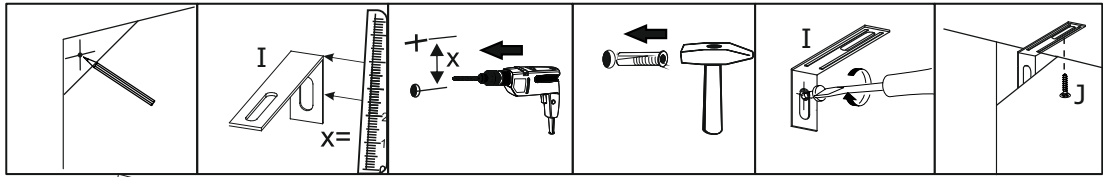
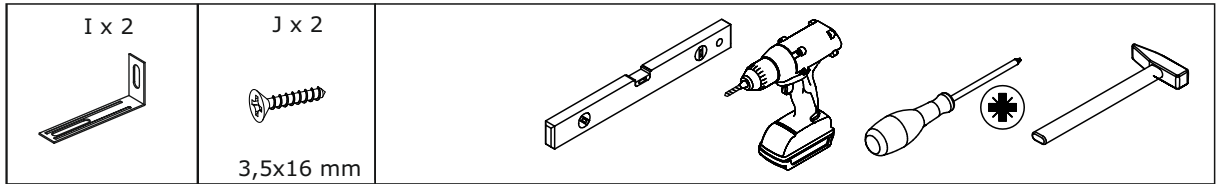
7



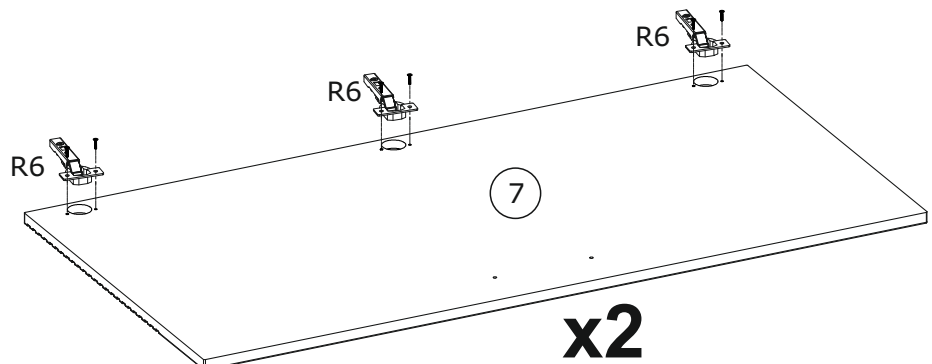
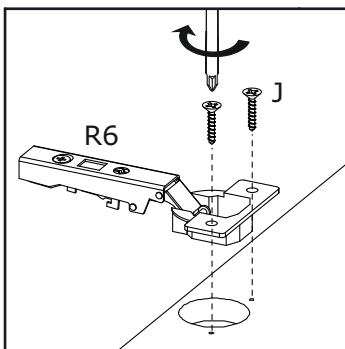
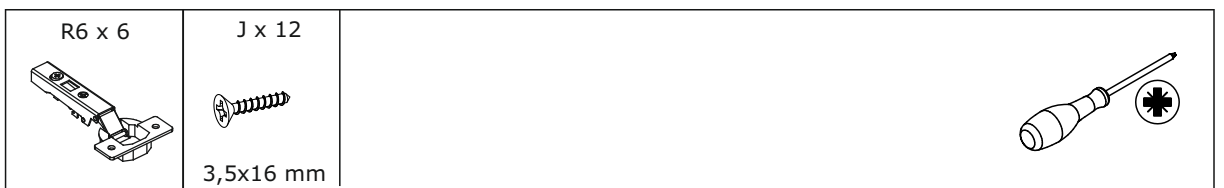
$XX = YY \equiv 90^\circ$






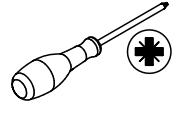
8



9



10

Q3 x 4  4x27mm	P x 2  160mm	F x 6  20 mm	
---	---	---	---

