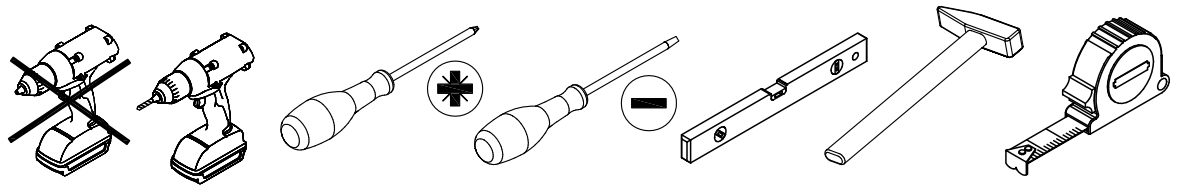
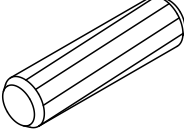
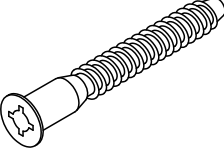

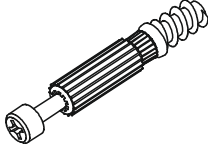
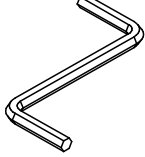

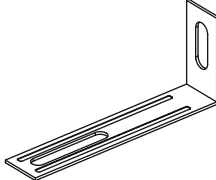
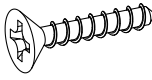

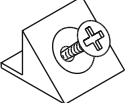
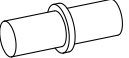
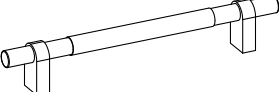
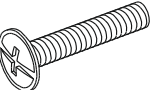
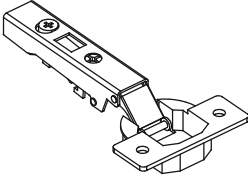
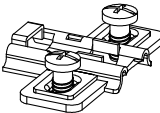
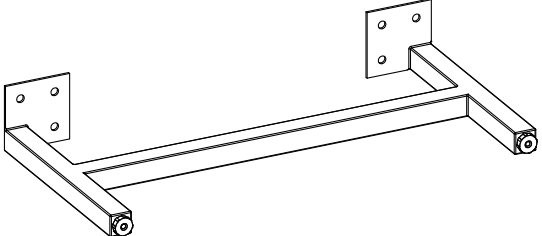

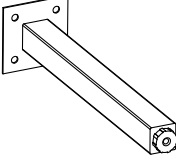

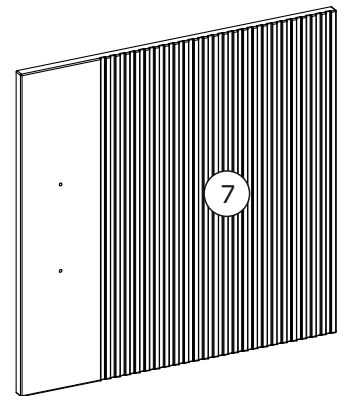
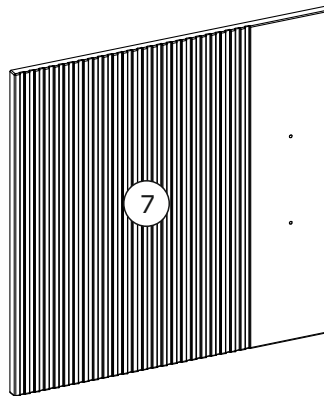
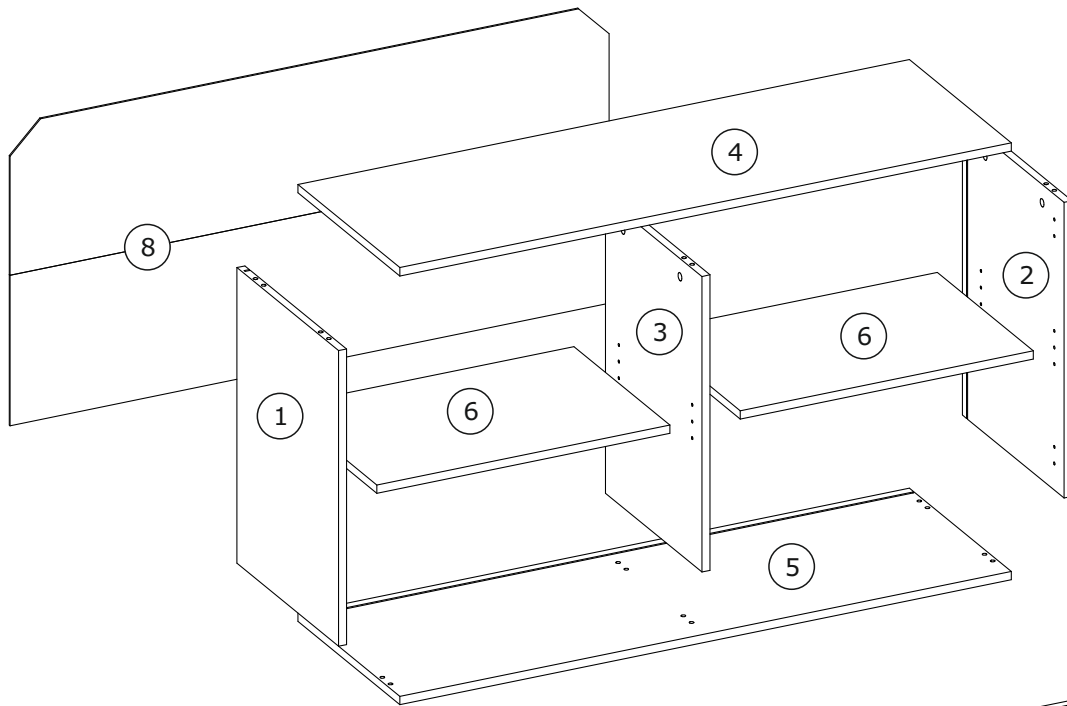


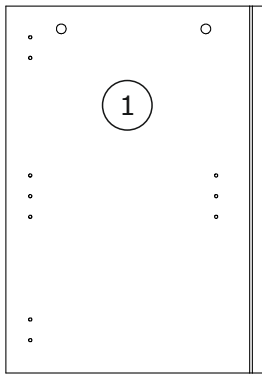
120min



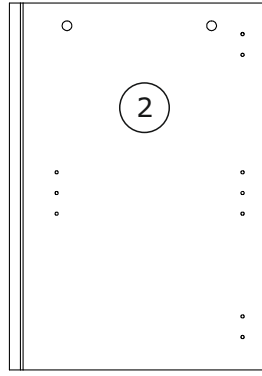
<p>A x 12</p>  <p>Ø8x35 mm</p>	<p>B x 6</p>  <p>Ø7x50 mm</p>	<p>C x 6</p>  <p>Ø15x12 mm</p>	<p>D x 6</p>  <p>Ø5x44 mm</p>
<p>E x 1</p>  <p>4 mm</p>	<p>F x 6</p>  <p>20 mm</p>	<p>I x 2</p> 	<p>J x 10</p>  <p>3,5x16 mm</p>
<p>L1 x 4</p>  <p>Ø3x20 mm</p>	<p>M x 12</p>  <p>10x10 mm</p>	<p>O x 8</p>  <p>Ø5mm</p>	<p>P x 2</p>  <p>160 mm</p>
<p>Q3 x 4</p>  <p>4x27 mm</p>	<p>R6 x 4</p> 	<p>S6 x 4</p> 	
<p>U2 x 2</p>  		<p>U3 x 1</p>  	



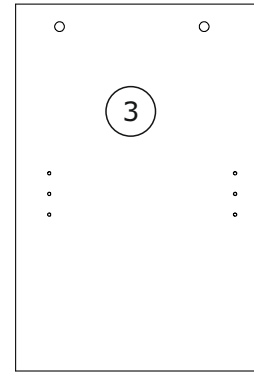
1/1:



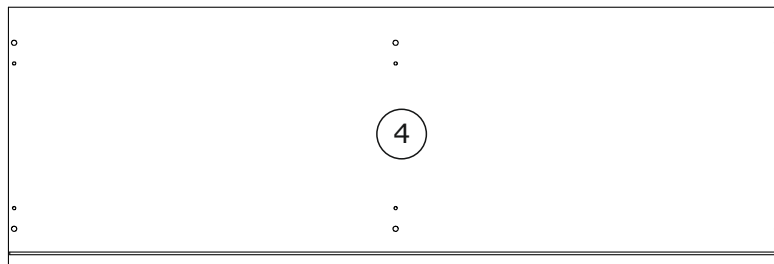
568x399x16 mm



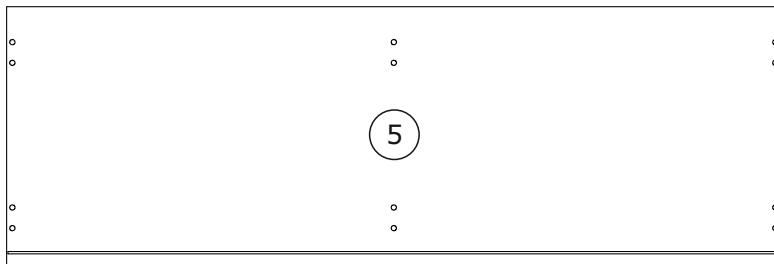
568x399x16 mm



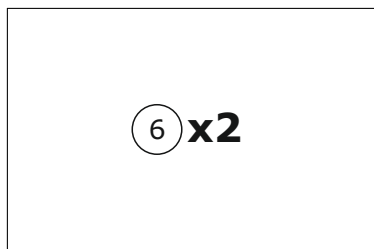
568x378x16 mm



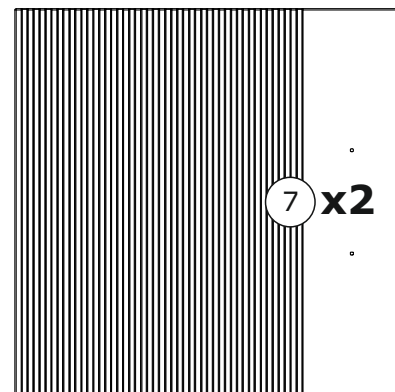
1200x400x16 mm



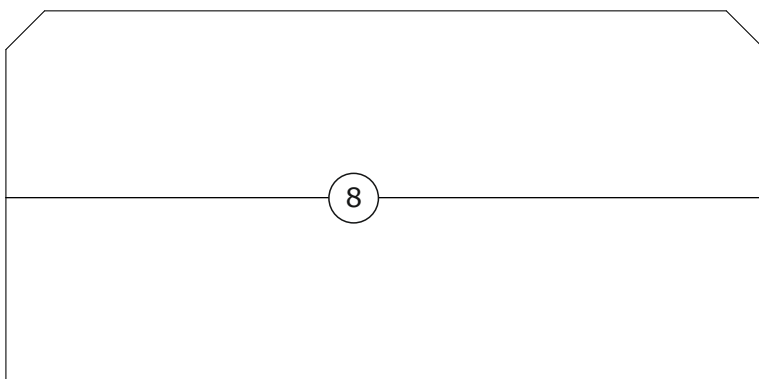
1200x400x16 mm



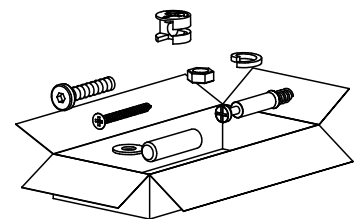
575x377x16 mm



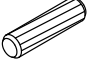

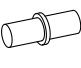
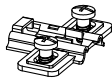
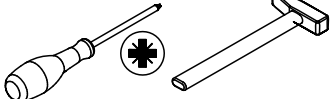
597x597x16 mm

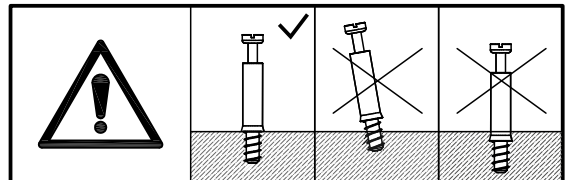
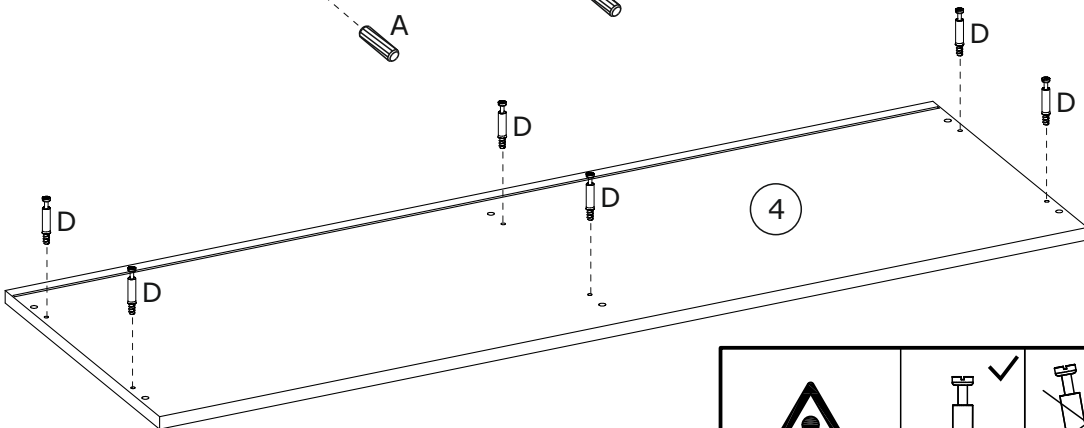
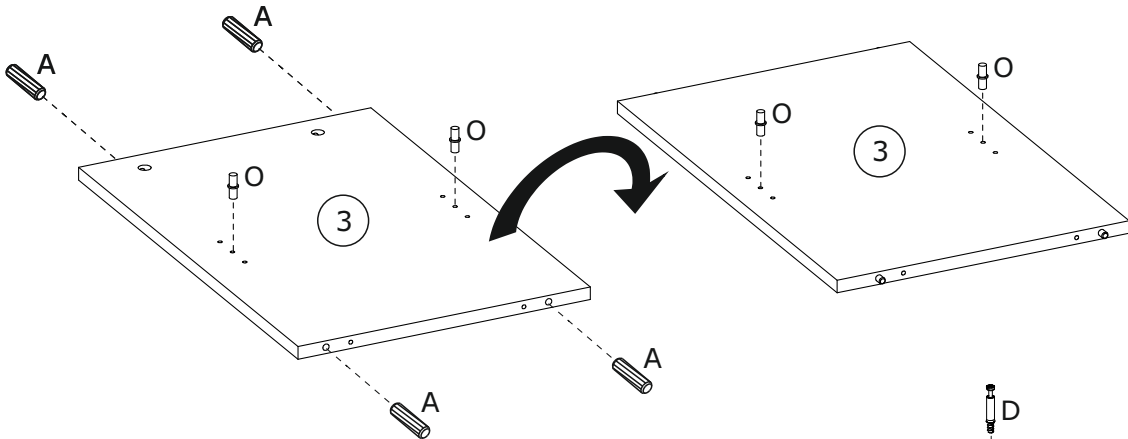
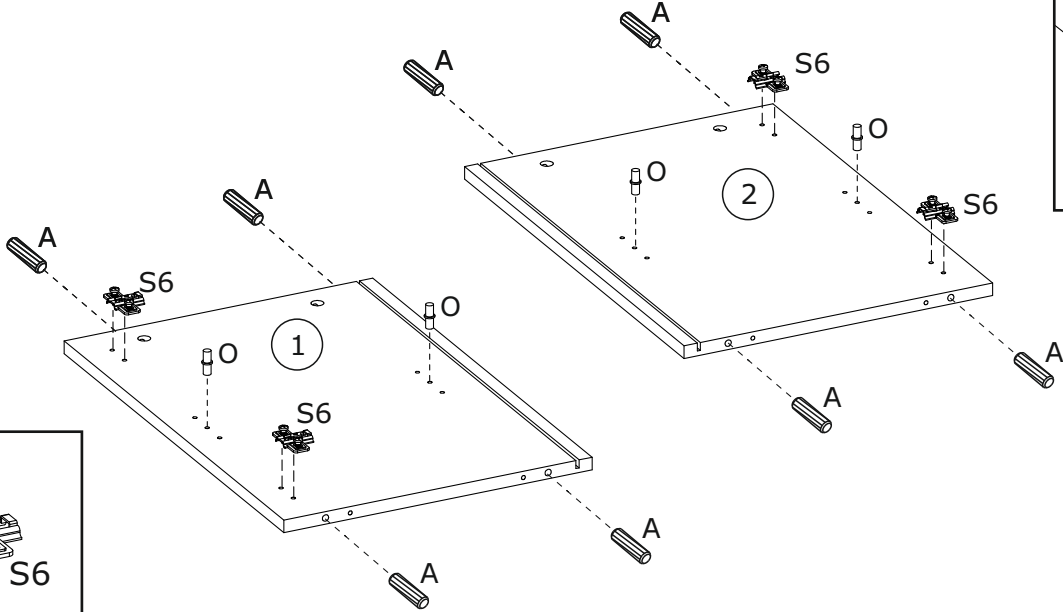
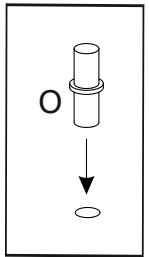
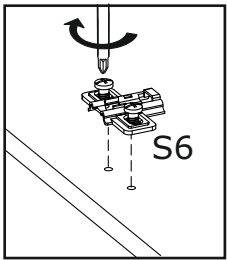
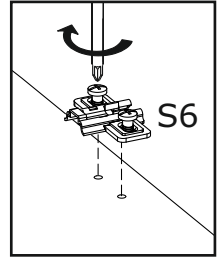
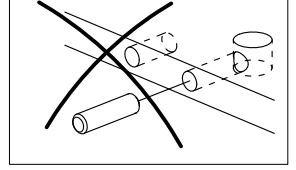
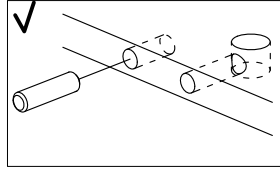
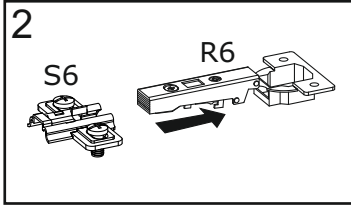
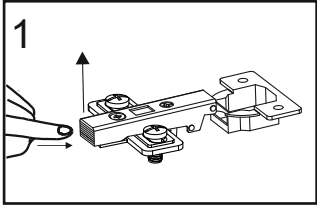


1176x578x3 mm



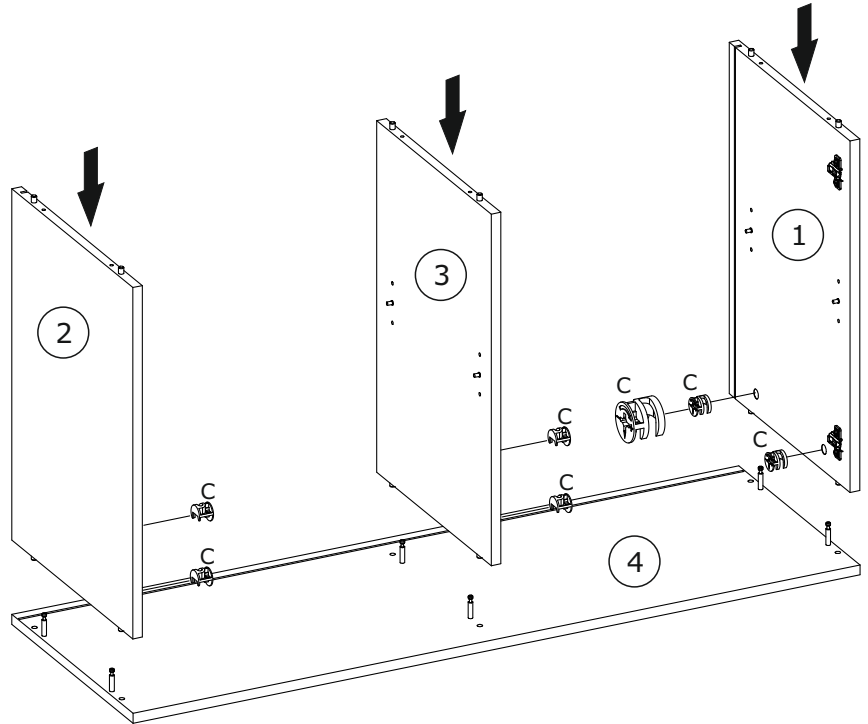
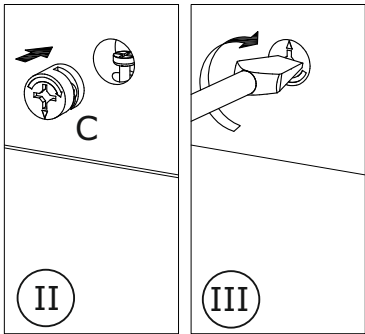
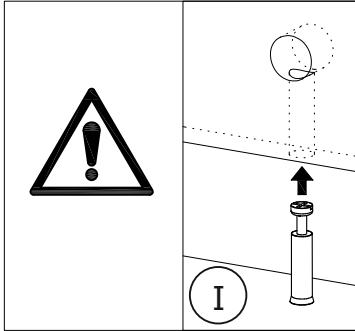
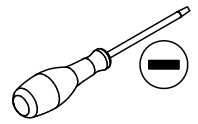
1

A x 12  Ø8x35 mm	D x 6  Ø5x44 mm	O x 8  Ø5 mm	S6 x 4 	
---	--	---	---	---

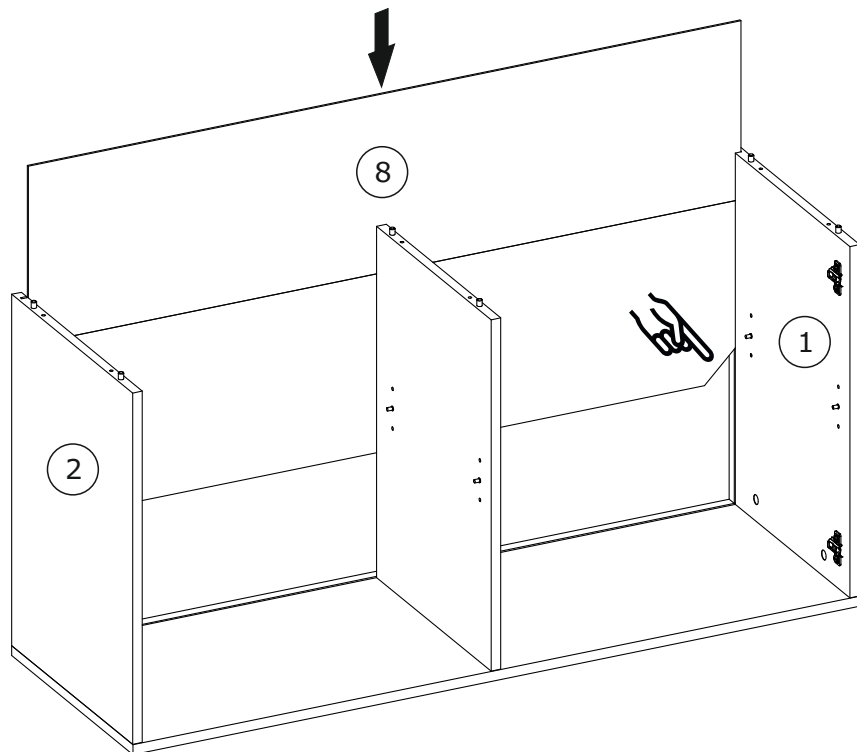


2

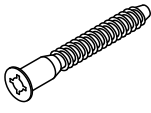
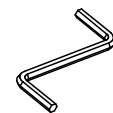
C x 6
Ø15x12 mm

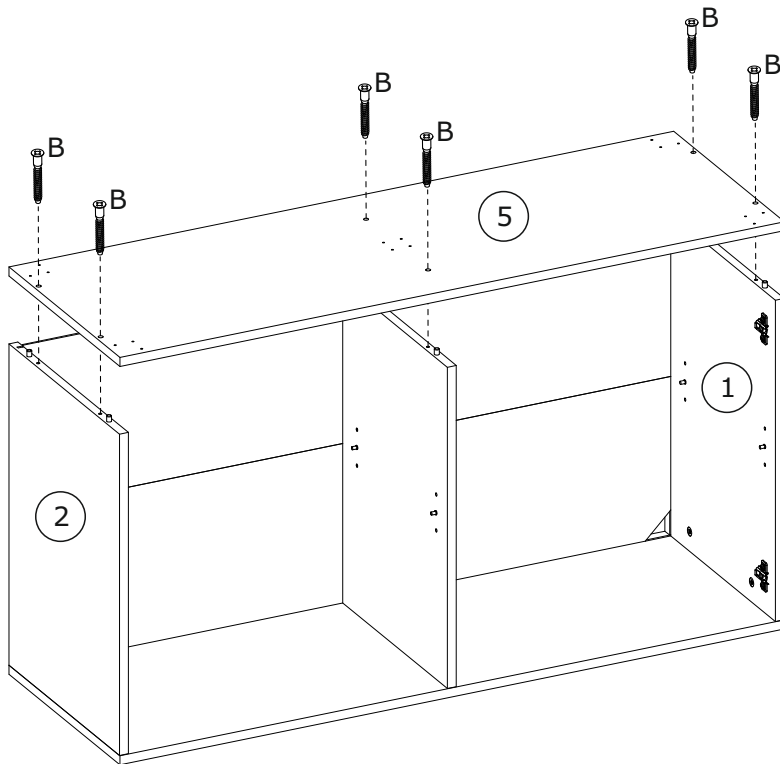
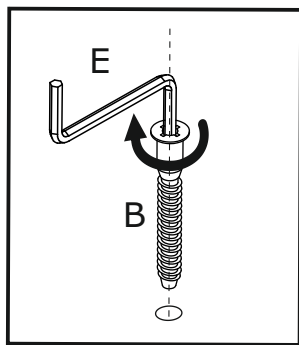
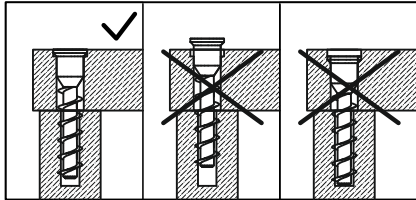


3



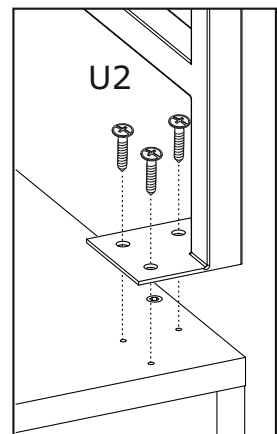
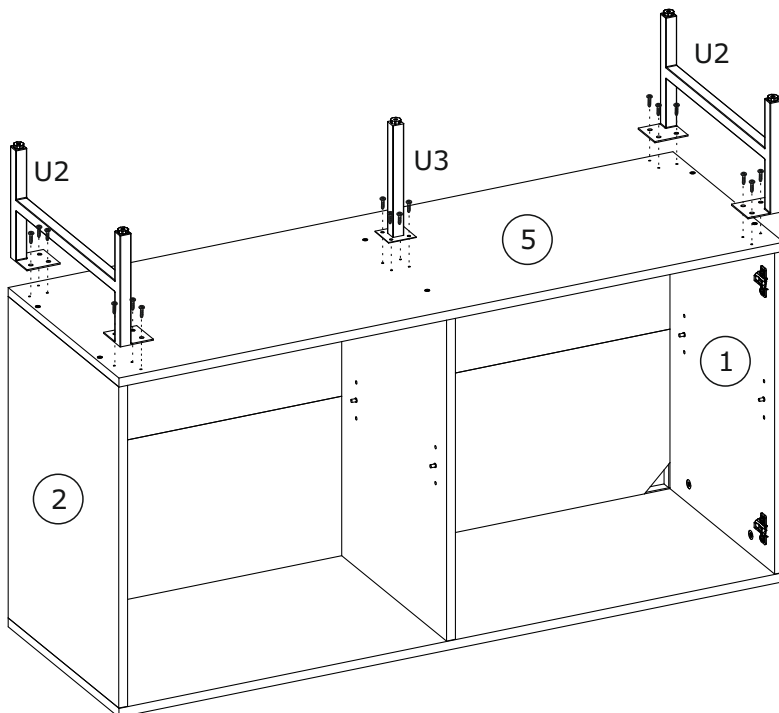
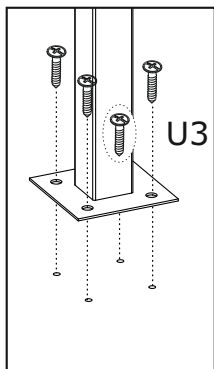
4

<p>B x 6</p>  <p>Ø7x50 mm</p>	<p>E x 1</p>  <p>4 mm</p>	
--	--	--



5

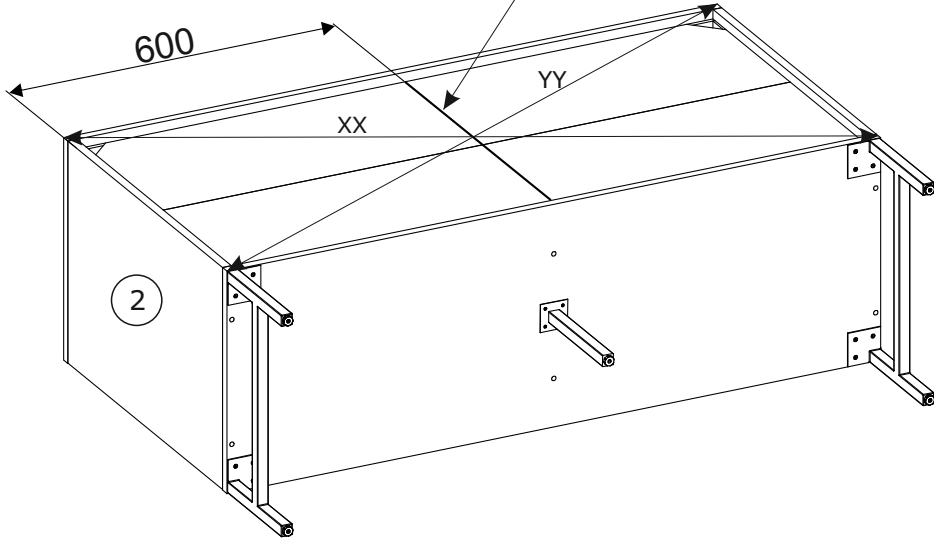
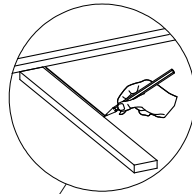
<p>U2 x 2</p> 	<p>U3 x 1</p> 	
---	---	---



6

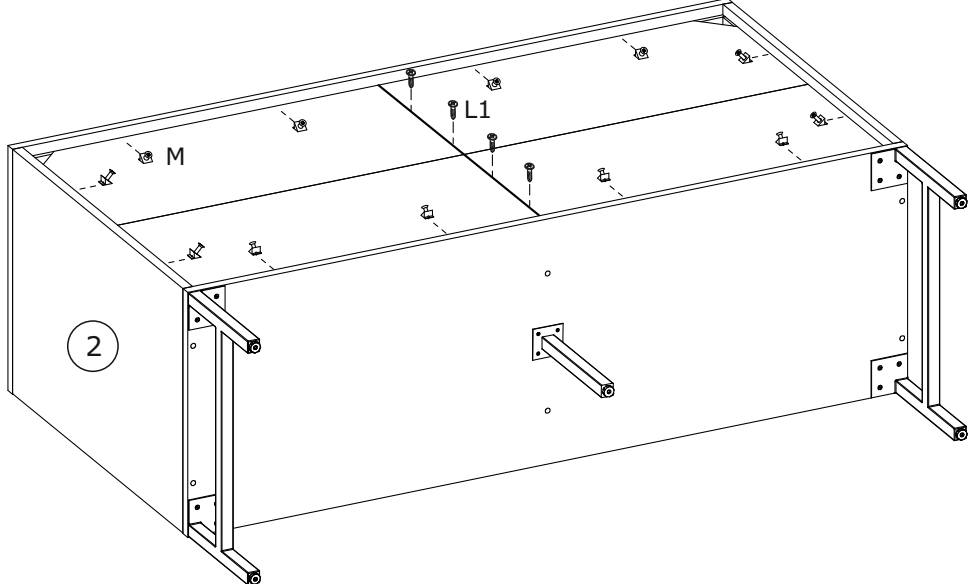
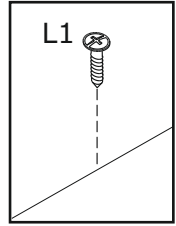
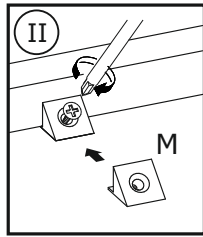
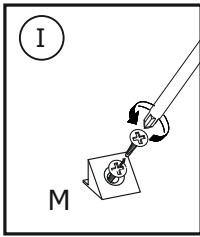


$XX = YY \equiv 90^\circ$

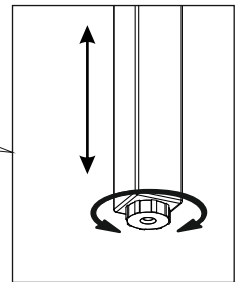
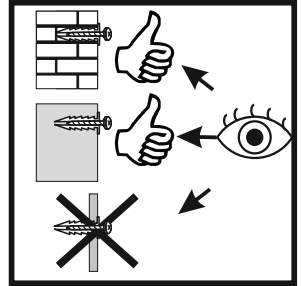
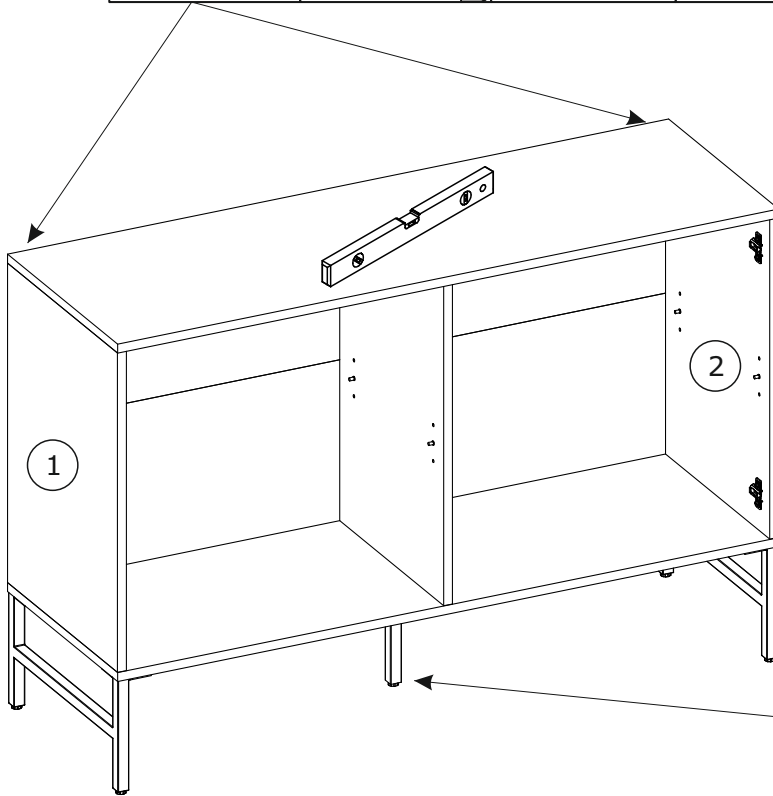
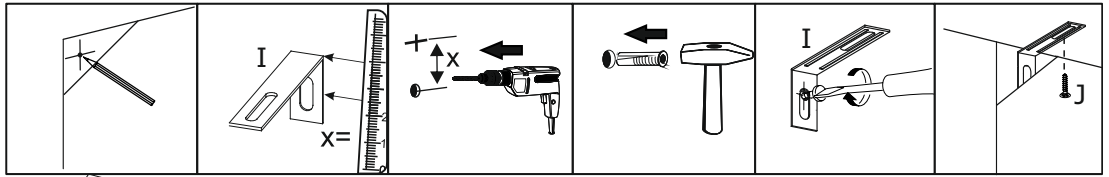
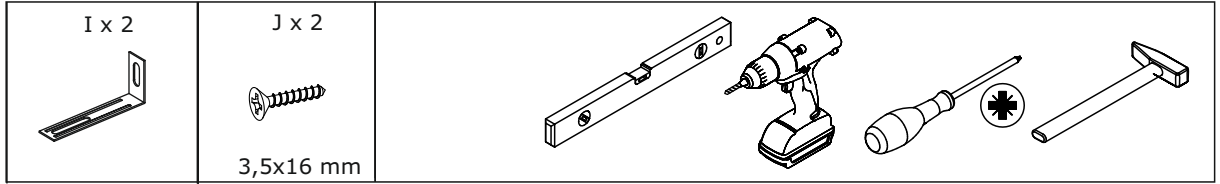


7

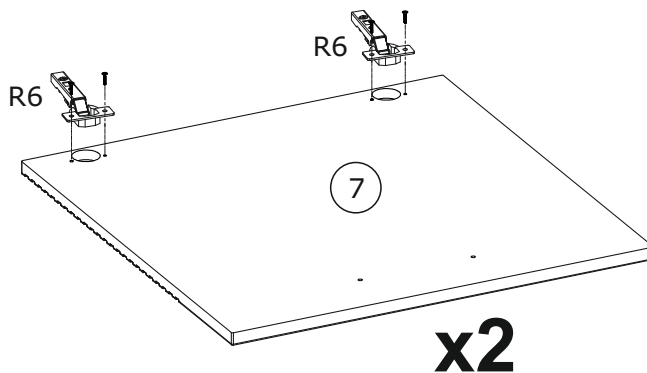
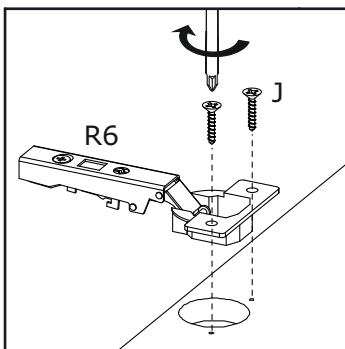
<p>M x 12</p>  <p>10x10 mm</p>	<p>L1 x 4</p>  <p>Ø3x20 mm</p>	
---	---	---






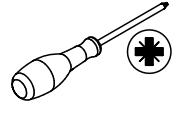
8



9



10

Q3 x 4  4x27mm	P x 2  160mm	F x 6  20 mm	
---	---	---	---

